

- The word "dreame" is the abbreviation of Dreame Technology Co., Ltd. and its subsidiaries in China. It is the transliteration of the company's Chinese name " 追觅 ", which means striving for excellence in every endeavor and reflects the company's vision of continuous pursuit, exploration and search in technology.

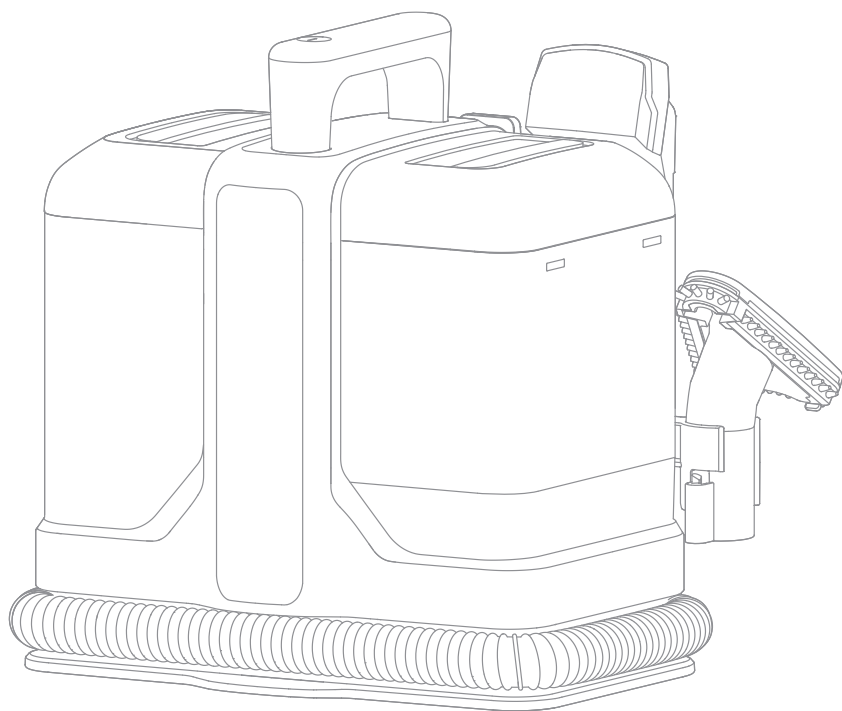


Website: <https://global.dreametech.com>
Dreame Trading (Tianjin) Co., Ltd.
Made in China



Dreame N10

Portable Carpet Spot Cleaner User Manual



The illustrations in this manual are for reference only.
Please refer to the actual product.

DREAME

THANK YOU

FOR PURCHASING THIS DREAME
WET AND DRY VACUUM.

Registration Quick Start

Welcome to register a Dreame account by scanning the QR code. You are available for the **User Manual** and **Special Offers**.



The high-quality product is engineered for optimal performance. If you have any questions on the product, please contact us: aftersales@dreame.tech.

Contents

EN User Manual

001

Important Safety Instructions

Please read this manual carefully before use and retain it for future reference.

When using an electrical appliance, basic precautions should always be followed, including the following:

READ ALL INSTRUCTIONS BEFORE USING (THIS APPLIANCE). Failure to follow the warnings and instructions may result in electric shock, fire and/or serious injury.

WARNING — To reduce the risk of fire, electric shock, or injury:

Usage Restrictions

- Use water under 60°C in order to remove dirt from the unit .
- Do not use it to clean arts and crafts, fibers and items not suitable for cleaning by water, and surfaces easy to be hurt (like floor, table and so on) .
- Do not slant if with water in the tank to avoid wetting floor.
- Stop the appliance and empty the Used Water Tank if it reaches the MAX line.
- Make sure the floor cleaner used is not bad for your washed items.
- The appliance may stop when cleaning long hair carpet due to blocked air outlet. Stop the appliance if big quantity of foam or used water comes out and empty the Used Water Tank before use it again.
- Do not use foam detergent.
- Please make sure the users need assistance (including children) are under supervision when they use the appliance.
- Do not use liquid like pesticides, hair dyes and lubricant .
- Do not use to pick up any flammable or combustible objects or cigarettes.
- Do not use to pick up any oil or hot air, or dry dust .
- Do not use it if the hose is broken, avoid bending, stampede and pulling violently of the hose.
- Do not block the air outlet to avoid influence on the heat dissipation.
- Stop use it in case of any unusual noise and smell.
- Do not disassemble, repair and change the appliance's structure by yourself.
- Do not use it under the scene of heavy wind or rain.
- Do not immerse in water or liquid to avoid fire or electric shock hazard.
- Do not use to pick up any dust with infectious danger.
- Do not use without Used Water Tank in position.
- If the supply cord is damaged, it must be replaced by the manufacturer, its service agent or similarly qualified persons in order to avoid a hazard.
- This appliance can be used by children aged from 8 years and above and persons with reduced physical, sensory or mental capabilities or lack of experience and knowledge if they have been given supervision or instruction concerning use of the appliance in a safe way and understand the hazards involved. Children shall not play with the appliance. Cleaning and user maintenance shall not be made by children without supervision.
- This appliance may be normal used under 50Hz or 60Hz. The frequency need not to be adjusted.

Important Safety Instructions

Precautions to some failures

- This appliance is mainly for wet using, do not use to pick up large quantity of dust.
- Dry the Used Water Tank, clean water tank and inside of the hose if the temperature is extremely low to avoid freezing.
- Take out foreign matters from the hose when blocked before use it again.

Use the power cord and plug properly

- Clean the plug from time to time.
- Plug in well when use it.
- Unplug the appliance if the appliance will not be used for a long time.
- Unplug the appliance before maintenance, checking and moving.
- Do not plug or unplug the appliance with wet hands.
- Keep the plug away from kids.
- Do not damage the power cord. Do not pull the plug violently when move the appliance.
- Do not use the appliance in case of damaged power cord or plug.
- Do not use overloaded socket.
- Do not use in case of any failures, cut the power and unplug the appliance.

Below matters are not allowed to be picked up

- Dry dust
- Big quantity of powder
- Big quantity of sand and stones
- Big quantity of rubbish
- Metal matters like needles, pins
- Big polybag and stockings
- Things easy to be dumped inside

CAUTION

- Do not use it other than cleaning.
- This appliance is for household use only.
- Do not close to fire or heating equipment.
- Stop working if the water-spray mouth is blocked.
- Stop working if any foreign matters are taken in.
- Empty the tanks if anything in block before use again.
- Do not slant or ride on the appliance.
- Do not use it in the scope touchable for kids.
- Not for outdoor use.
- Do not continue to use when the suction hole is blocked.

Important Safety Instructions

Symbols



Class II equipment



For indoor use only



Read operator's manual



WEEE Information

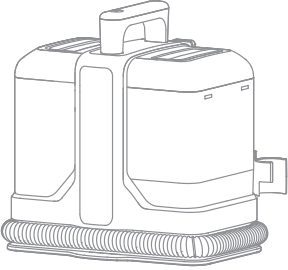
All products bearing this symbol are waste electrical and electronic equipment (WEEE) as in directive 2012/19/EU) which should not be mixed with unsorted household waste. Instead, you should protect human health and the environment by handing over your waste equipment to a designated collection point for the recycling of waste electrical and electronic equipment, appointed by the government or local authorities. Correct disposal and recycling will help prevent potential negative consequences to the environment and human health. Please contact the installer or local authorities for more information about the location as well as terms and conditions of such collection points.

We, Dreame Trading (Tianjin) Co., Ltd., hereby declares that this equipment is in compliance with the applicable Directives, European Norms, and amendments. The full text of the EU declaration of conformity is available at the following internet address: <https://global.dreame.tech.com>

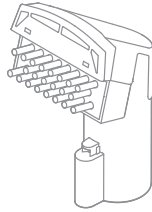
For detailed e-manual, please go to <https://global.dreame.tech.com/pages/user-manuals-and-faqs>

Product Overview

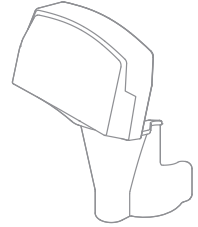
Packing List



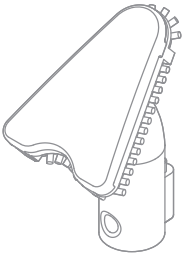
Main Body



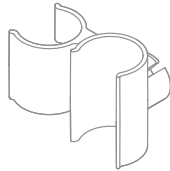
Standard Stain
Brush



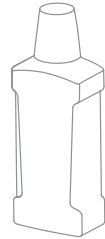
Self-Cleaning Tool



Multiuse Tool



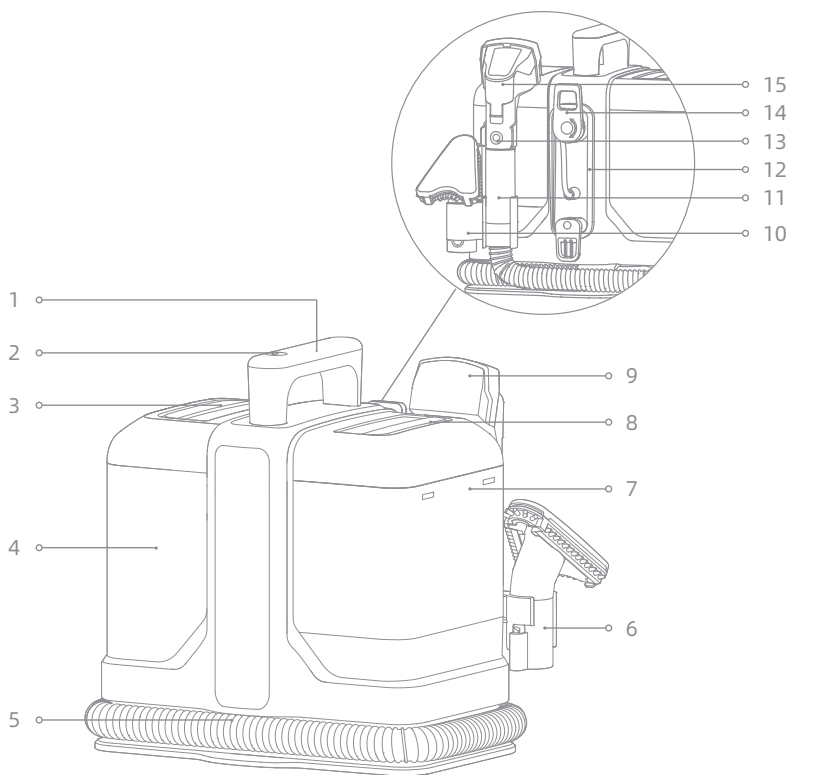
Attachment
Holder



Dreame Spot
Formula for Carpet
Cleaner

EN Product Overview

Component Parts

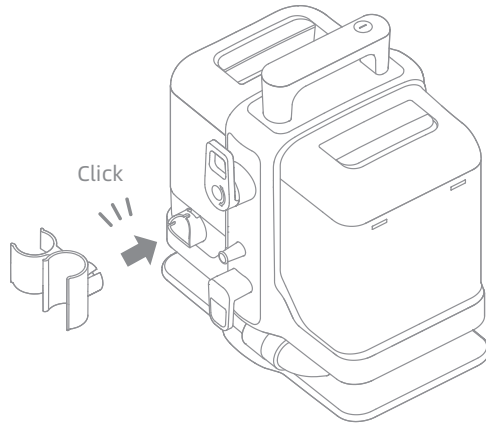


- | | | |
|-----------------------------------|------------------------------------|--------------------------|
| 1. Handle | 6. Multiuse Tool | 11. Brush handle |
| 2. Power Switch | 7. Clean Water Tank | 12. Power Cord |
| 3. Used Water Tank Release Button | 8. Clean Water Tank Release Button | 13. Brush Release Button |
| 4. Used Water Tank | 9. Self-Cleaning Tool | 14. Power Cord Hook |
| 5. Extension Hose | 10. Attachment Holder | 15. Standard Stain Brush |

Installation

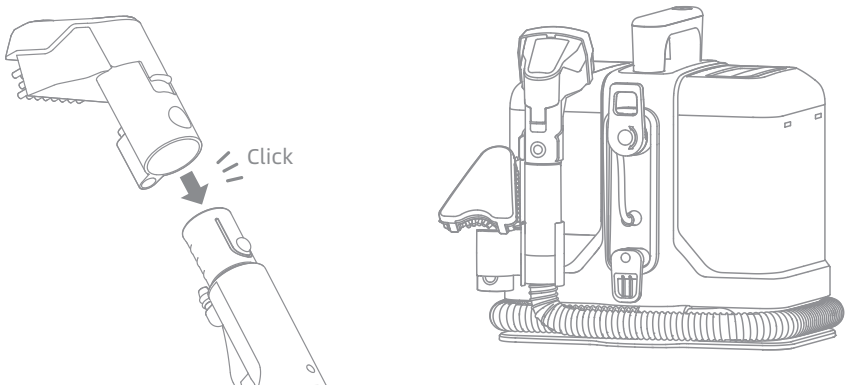
Installing the Attachment Holder

Insert the attachment holder into the appliance until you hear a click.



Installing the Standard Stain Brush

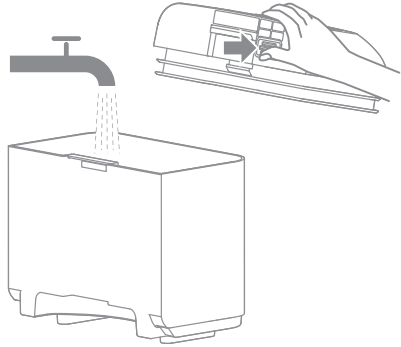
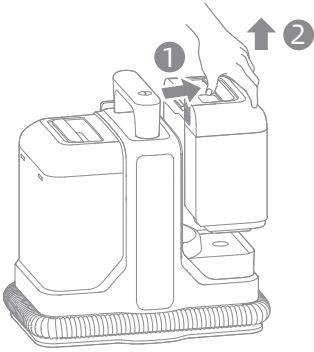
Insert the brush into the end of the extension hose until it clicks into place. Wrap the hose around the appliance and insert it into the attachment holder.



How to Use

Filling the Clean Water Tank

1. Remove the Clean Water Tank from the main body.
2. Remove the Clean Water Tank cover.
3. Fill the tank with water to the "WATER" line on the tank.
4. Add the dreame spot formula for carpet cleaner to the FORMULA line.

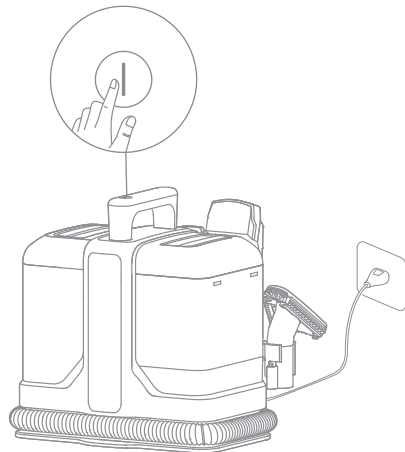
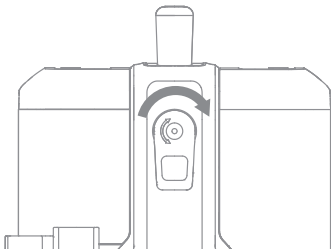


Note:

- Do not use water over 60°C.
- "WATER" line refers to the maximum water capacity of the Clean Water Tank. Do not exceed the WATER line.

Starting Cleaning

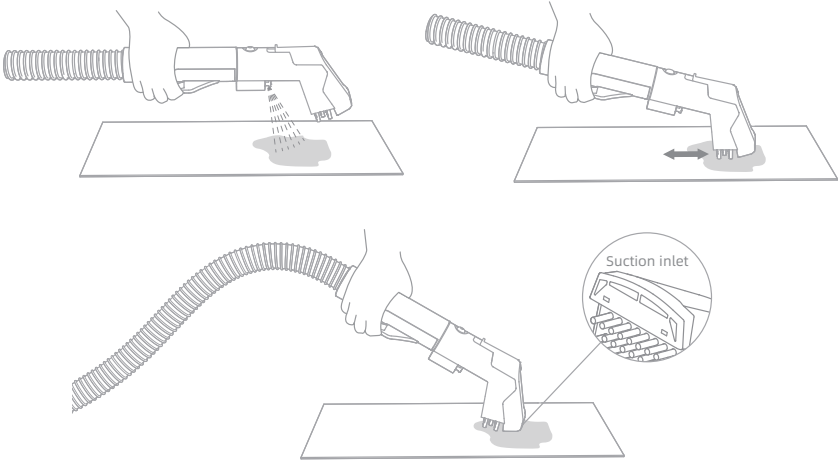
1. Rotate the power cord hook to remove the power cord.
2. Plug the power cord into the power socket and press the power switch ① to turn on.



How to Use

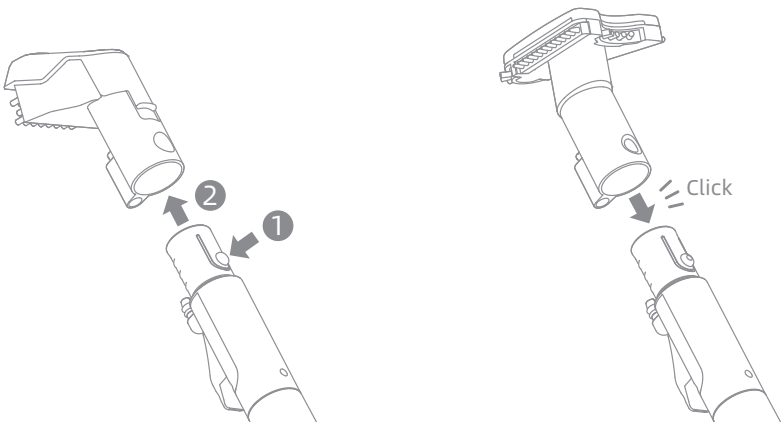
Use of the Standard Stain Brush

1. Press the water-spray button to spray water.
2. Use the brush back and forth to clean stains.
3. Firmly press the brush onto the stained area to suck the dirty water.



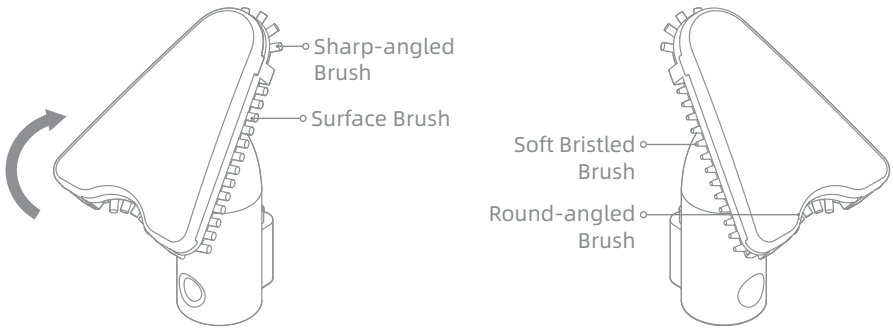
Use of the Multiuse Tool

Press the brush release button and remove the standard stain brush. Then insert the multiuse tool into the end of the extension hose until you hear a click.



How to Use

The multiuse tool is suitable for cleaning some special areas. Rotate the brush head to use according to different surfaces.

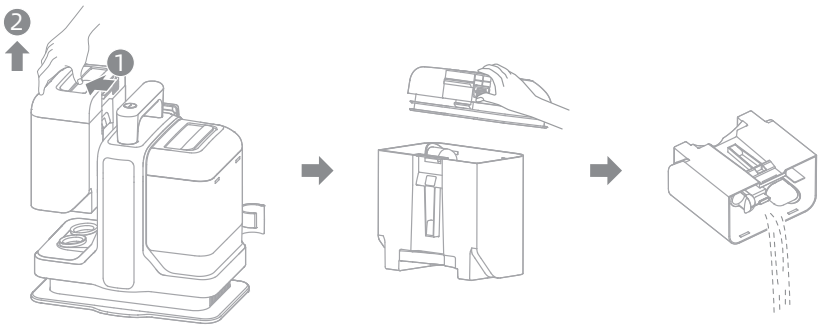


Tips:

- Sharp-angled brush is recommended to use for corner.
- Surface brush is recommended to use for flat surfaces.
- Round-angled brush is recommended to use for curved surfaces.
- Soft bristled brush is recommended to use for cleaning hair.

Emptying the Used Water Tank

Press the Used Water Tank release button to take out the tank. Pull up the tank cover and pour out the used water. Reinstall the tank cover and the tank before use.



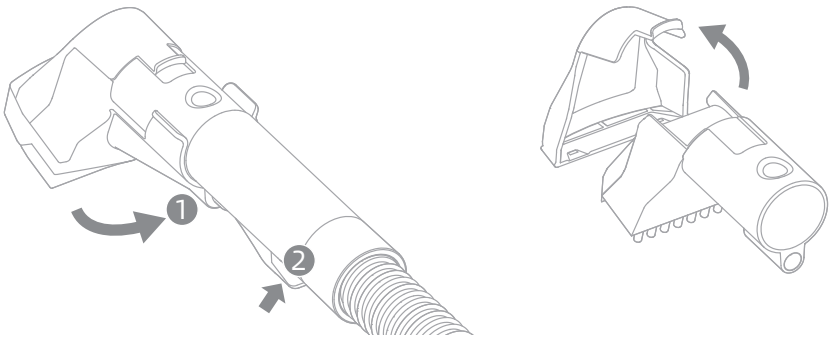
Note: To maintain the normal use, please empty the Used Water Tank in time or before exceeding the MAX line.

Tips:

- Turn off the appliance before maintenance. Do not touch the power switch.
- Replace parts if needed. The parts must be replaced by those available from the manufacturer or its service agent.

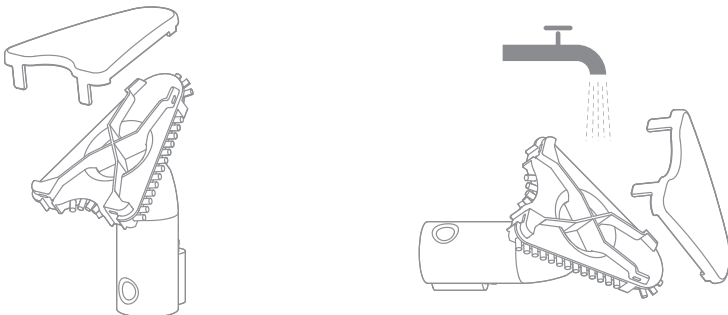
Cleaning the Standard Stain Brush and the Extension Hose

Insert the self-cleaning tool into the standard stain brush, press the water-spray button and the appliance will automatically clean the brush and the extension hose. Open the transparency cover of the brush head to clean if deep cleaning is needed.



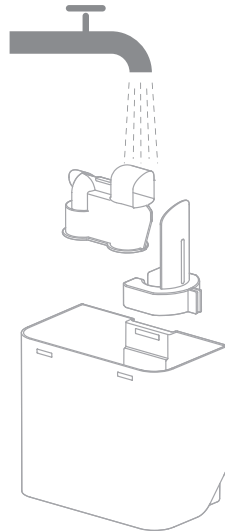
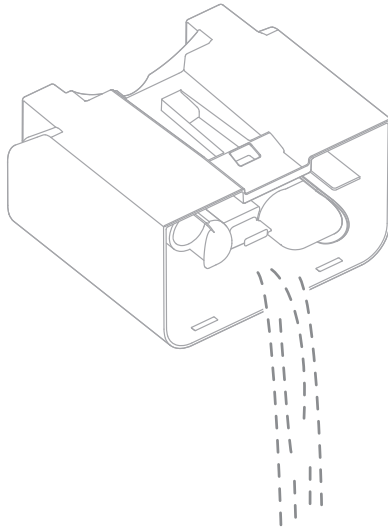
Cleaning the Multiuse Tool

Gently push the release buckle of the multiuse tool cover, then rinse the multiuse tool with clean water.



Cleaning the Used Water Tank

Remove the Used Water Tank from the main body and empty the Used Water Tank. Rinse the Used Water Tank with clean water.

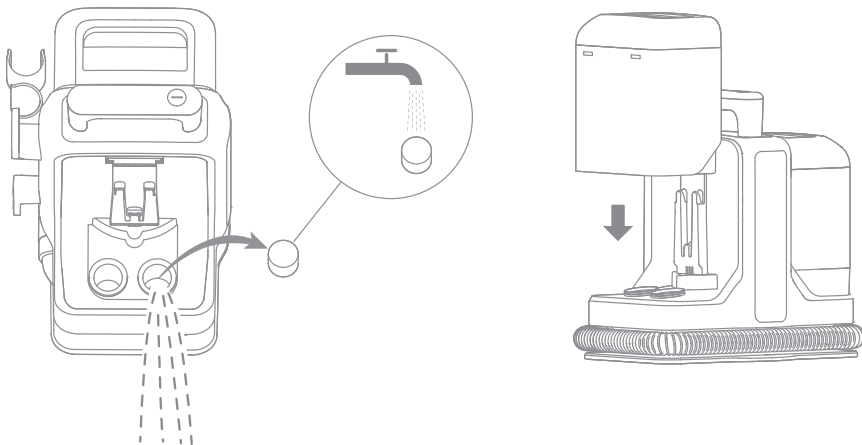


Note: To maintain the normal use, please empty the Used Water Tank in time or before exceeding the MAX line.

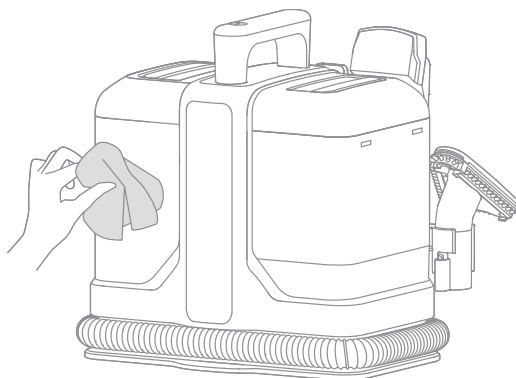
Care & Maintenance

Cleaning the appliance

1. Remove the filter from the Used Water Tank to clean. Reinstall the tank cover and the tank.



2. Wipe the appliance with a dry cloth or wet tissue.



EN Troubleshooting

If an error occurs, the appliance will stop working. Please refer to the following table for troubleshooting. If the problem persists, please contact customer service.

Error	Possible Cause	Solution
The appliance does not work.	The plug is not plugged to the power socket.	Be sure the power cord plug is fully plugged into outlet.
	The power cord is damaged.	Please contact customer service.
No water comes out or little water comes out after pressing the water-spray button.	Standard stain brush nozzle is blocked.	Clear the standard stain brush.
	The handle or the pump has been damaged.	Please contact customer service.
No suction or weak suction power.	The appliance is not on.	Turn on the power.
	The Used Water Tank is full.	Empty the Used Water Tank.
	The extension hose is not in good status.	Check the extension hose to make sure it is in well status.
	The filter in Used Water Tank is blocked.	Clean or replace the filter in time.

For additional services, please contact us via aftersales@dreame.tech
Website: <https://global.dreametech.com>

Specifications

Portable Carpet Spot Cleaner			
Model	N10	Max Vacuity	≥ 12 kPa
Rated Voltage/ Frequency	220-240V~ 50/60Hz	Power Cord Length	5 M
Rated Power	450 W	Used Water Tank Capacity	850 mL
Waterproof Rating	IPX4	Clean Water Tank Capacity	1600 mL