

The word "dreame" is the abbreviation of Dreame Technology Co., Ltd. and its subsidiaries in China. It is the transliteration of the company's Chinese name "追觅", which means striving for excellence in every endeavor and reflects the company's vision of continuous pursuit, exploration and search in technology.



For more support, contact us via support.us@dreame.tech

Website: <https://www.dreametech.com/>

Tel: +1 (866) 977-5177

Manufactured by: Dreame Trading (Tianjin) Co., Ltd.

Address: Room 2112-1-1, South District, Finance and Trade Center, No.6975 Yazhou Road, Dongjiang Bonded Port Area, Tianjin Pilot Free Trade Zone, Tianjin, China

Made in China

CVF22A-US-A

Dreame Bladeless Fan

DREAME

EN	User Manual	01
FR	Manuel d'utilisation	16
ES	Manual del usuario	30

Safety Instructions

READ AND SAVE THESE INSTRUCTIONS

READ ALL INSTRUCTIONS BEFORE USING (THIS APPLIANCE). Failure to follow the warnings and instructions may result in electric shock, fire and/or serious injury.

Please read this manual (the "Manual") carefully before use and keep it properly for future reference.

Thank you for choosing the Dreame bladeless fan. Before use, please scan the QR code to download the mobile app and access all features.

Warning

- Make sure the appliance is off and unplugged when not used for extended periods as well as prior to performing any maintenance or repairs.
- Do not use the fan if the power cord or plug is damaged, or if the plug fits loosely in the socket, as this may cause electric shock, short circuit, or fire.
- Do not damage, excessively bend, stretch, twist, bundle, apply excessive pressure on, or pinch the power cord, as this may cause electric shock, short circuit, or fire.
- Do not operate the product with a damaged cord or plug. Discard or return to an authorized service facility for examination and/or repair.
- Use single-phase AC power only; otherwise, fire or electric shock may occur.
- Do not modify the appliance yourself. Do not disassemble or repair it unless you are a authorised technician. Otherwise, it may cause fire, electric shock, or injury. For repairs, please contact the technical service centre.
- Do not plug in or unplug the power plug with wet hands, as this may cause electric shock or injury.
- When unplugging, always hold the plug. Do not pull the power cord. Otherwise, it may cause electric shock, short circuit, or fire.
- If the appliance will not be used for a long period, unplug it from the power supply. Otherwise, deteriorated insulation may cause electric shock, electric leakage, or fire.
- Move the bladeless fan on a flat surface to prevent it from tipping over.
- Do not use the bladeless fan in high-humidity environments, as this may shorten its service life.
- For indoor use only. Do not place the appliance where it may be exposed to rain or other outdoor conditions.

- Do not place the appliance in bathrooms, near humidifiers, or in other high-humidity areas. Moisture may cause an electric shock or a malfunction.
- To ensure stable and quiet operation, always place the appliance on a stable, level surface.
- Clean dust from the plug regularly. Dust accumulation may absorb moisture and cause leakage, resulting in fire or electric shock.
- Do not use the appliance in areas with heavy oil fumes (e.g. kitchens), as this may cause cracking of the surface finish.
- Do not clean the appliance with petrol, paint thinner, or similar agents. Do not spray insecticides onto the appliance, as this may cause cracking of the surface finish, electric shock, or fire.
- Do not operate the appliance while using aerosol insecticides indoors.
- Do not allow the appliance to draw in flammable gases or sparks from cigarettes or incense, as this may cause fire.
- Do not insert fingers or foreign objects into the air inlet or outlet, as this may cause electric shock or other accidents.
- This appliance is not intended for use by persons (including children) with reduced physical, sensory, or mental capabilities, or a lack of experience and knowledge, unless they are supervised or instructed concerning the use of the appliance by a person responsible for their safety. Children should be supervised to ensure that they do not play with the appliance.
- Do not run cord under carpeting. Do not cover cord with throw rugs, runners, or similar coverings. Do not route cord under furniture or appliances. Arrange cord away from traffic area and where it will not be tripped over.
- To reduce the risk of fire, explosion, or injury, make sure that the supply cord and lithium battery are undamaged before use. Do not use the appliance if the supply cord and lithium battery are damaged.
- This appliance has a polarized plug (one blade is wider than the other). To reduce the risk of electric shock, this plug is intended to fit in a polarized outlet only one way. If the plug does not fit fully in the outlet, reverse the plug. If it still does not fit, contact a qualified electrician.
- Do not attempt to defeat this safety feature.
- **WARNING - To Reduce The Risk Of Fire Or Electric Shock, Do Not Use This Fan With Any Solid-State Speed Control Device.**
- **WARNING - To Reduce The Risk Of Fire, Electric Shock Or Injury To Persons, Do Not Use Replacement Parts That Have Not Been Recommended By The Manufacturer (e.g. Parts Made At Home Using A 3D Printer).**
- **WARNING: Chemical Burn and Choking Hazard. Keep batteries away from children. If swallowed, contact your physician or local poison control.**
- Remove and immediately recycle or dispose of used batteries according to local regulations and keep away from children. Do NOT dispose of batteries in household trash or incinerate.
- Even used batteries may cause severe injury or death.
- Call a local poison control center for treatment information.

- Replace the battery with 1 "CR2025" button cell battery and dispose of the used battery properly and in accordance with local law and ordinances.
 - The nominal battery voltage of the "CR2025" button battery is 3.0V.
 - Non-rechargeable batteries are not to be recharged.
 - Do not force discharge, recharge, disassemble, heat above 70 °C (158°F) or incinerate. Doing so may result in injury due to venting, leakage or explosion resulting in chemical burns.
 - Ensure the batteries are installed correctly according to polarity (+ and -).
 - Do not mix old and new batteries, different brands or types of batteries, such as alkaline, carbon-zinc, or rechargeable batteries.
 - Remove and immediately recycle or dispose of batteries from equipment not used for an extended period of time according to local regulations.
 - Always completely secure the battery compartment. If the battery compartment does not close securely, stop using the product, remove the batteries, and keep them away from children.
 - NOTE: This equipment has been tested and found to comply with the limits for a Class B digital device, pursuant to part 15 of the FCC Rules. These limits are designed to provide reasonable protection against harmful interference in a residential installation. This equipment generates, uses and can radiate radio frequency energy and, if not installed and used in accordance with the instructions, may cause harmful interference to radio communications. However, there is no guarantee that interference will not occur in a particular installation. If this equipment does cause harmful interference to radio or television reception, which can be determined by turning the equipment off and on, the user is encouraged to try to correct the interference by one or more of the following measures:
 - Reorient or relocate the receiving antenna.
 - Increase the separation between the equipment and receiver.
 - Connect the equipment into an outlet on a circuit different from that to which the receiver is connected.
 - Consult the dealer or an experienced radio/TV technician for help.
- MPE caution:
To satisfy FCC / IC RF exposure requirements, a separation distance of 20 cm or more should be maintained between the antenna of this device and persons during device operation.
To ensure compliance, operations at closer than this distance is not recommended.



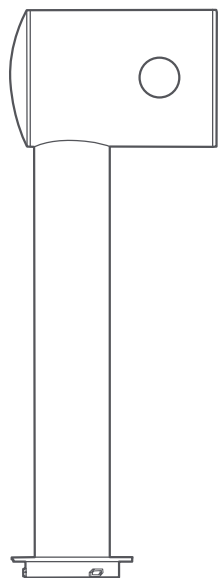
WARNING This product contains a button cell or coin battery.

⚠ WARNING

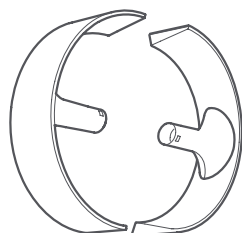
- **INGESTION HAZARD:** This contains a button cell or coin battery.
- **DEATH** or serious injury can occur if ingested
- A swallowed button cell or coin battery can cause **internal Chemical Burns** in as little as **2 hours**.
- **KEEP** new and used batteries **OUT OF REACH of CHILDREN**
- **Seek immediate medical attention** if a battery is suspected to be swallowed or inserted inside any part of the body.



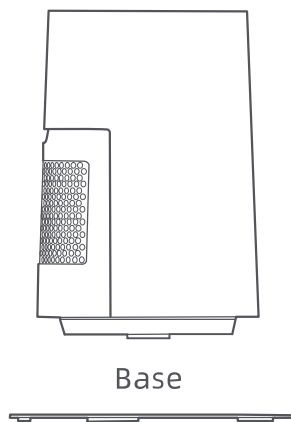
Packing List



Main Unit



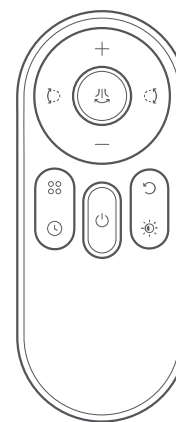
Air Outlet



Weighted Base



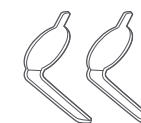
User Manual



Remote Control



Screwdriver



Disassembly Tools

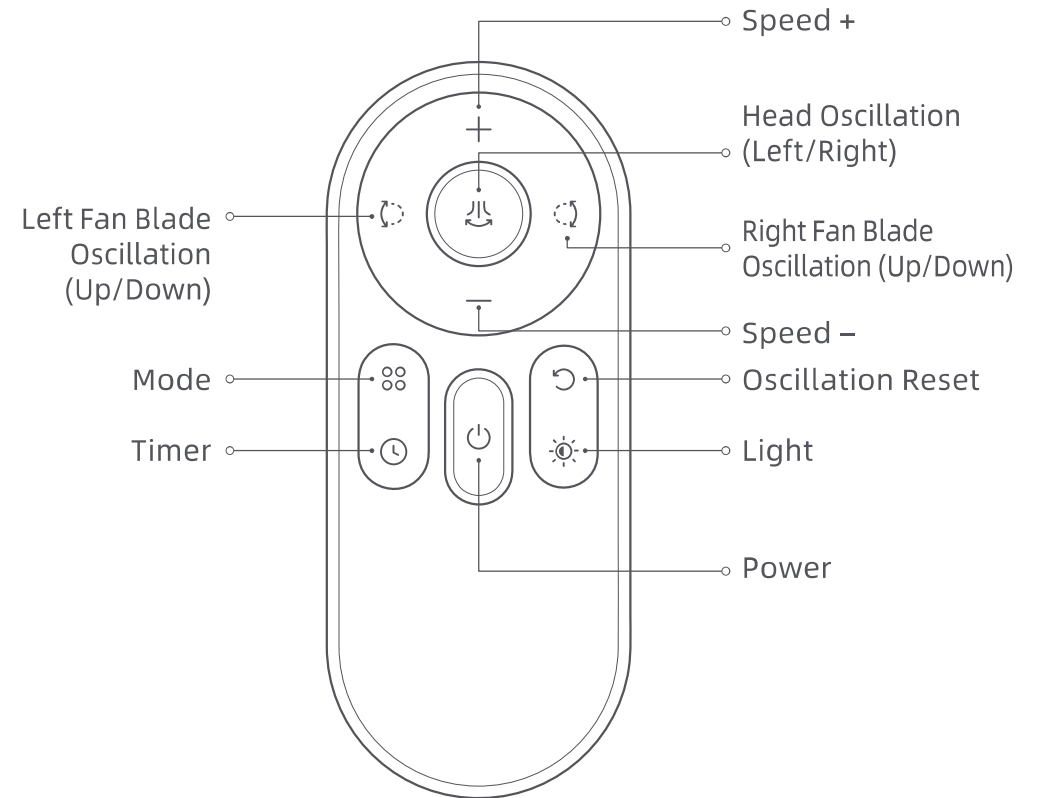
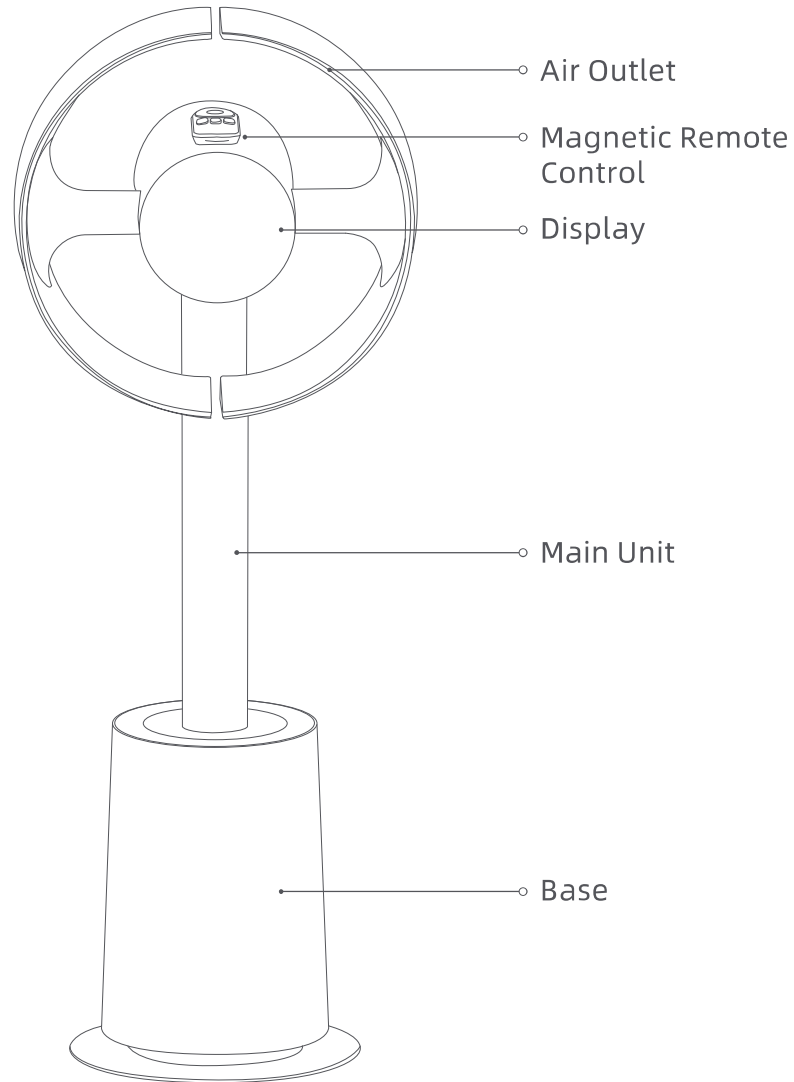


Screws

Note: The product appearance shown in this Manual (including, but not limited to, colour) and the information displayed in the app (including, but not limited to, product images and text) are for reference only, and are subject to change.

Product Overview

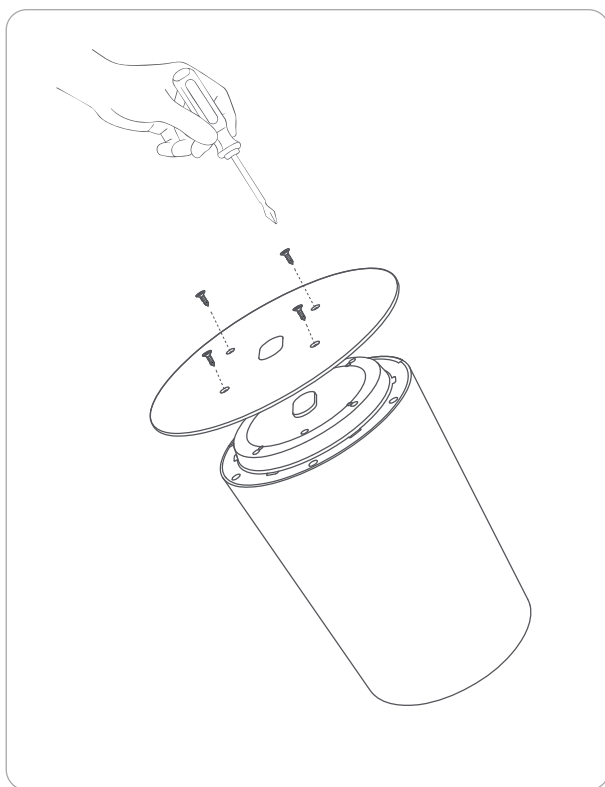
Note: The illustrations in this manual are indicative only. The actual product may differ.



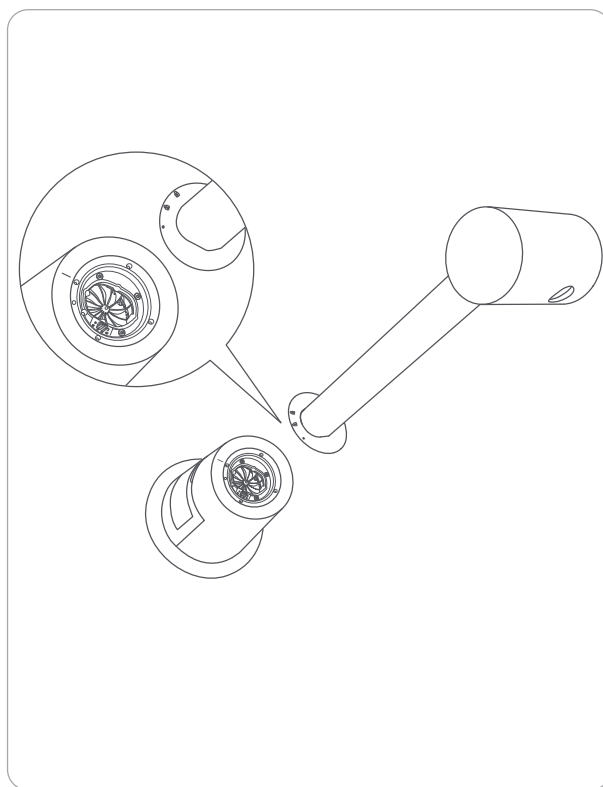
Installation Guide

Before first use, install the accessories as instructed below. Make sure the appliance is turned off and disconnected from the power supply before installation. Reconnect to the power only after all accessories are installed.

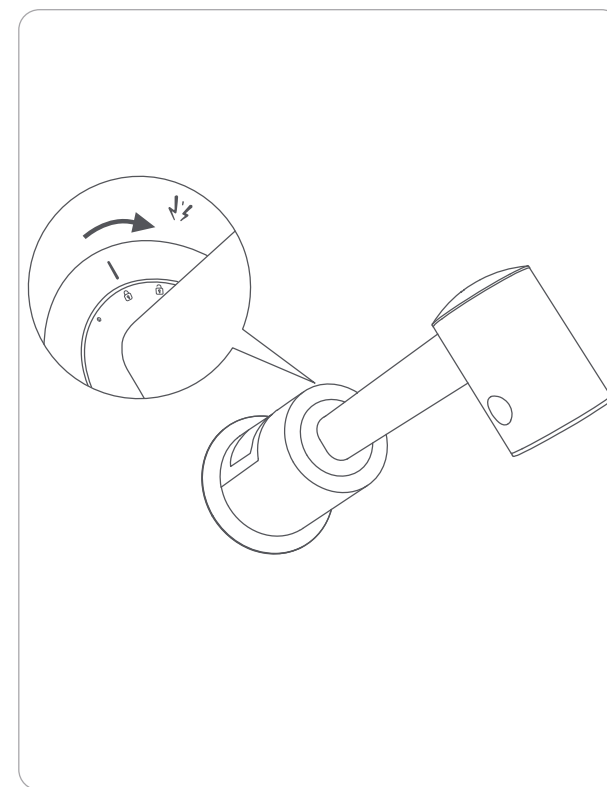
1. Align the screw holes of the base and the weighted base plate, then tighten the screws to complete installation.



2. Align the unlock icon on the main unit with the vertical icon on the base, then insert.



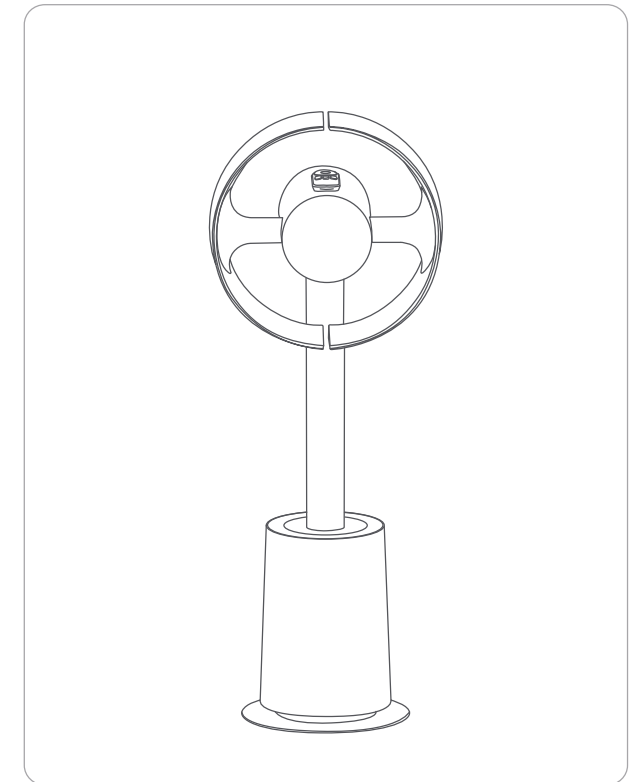
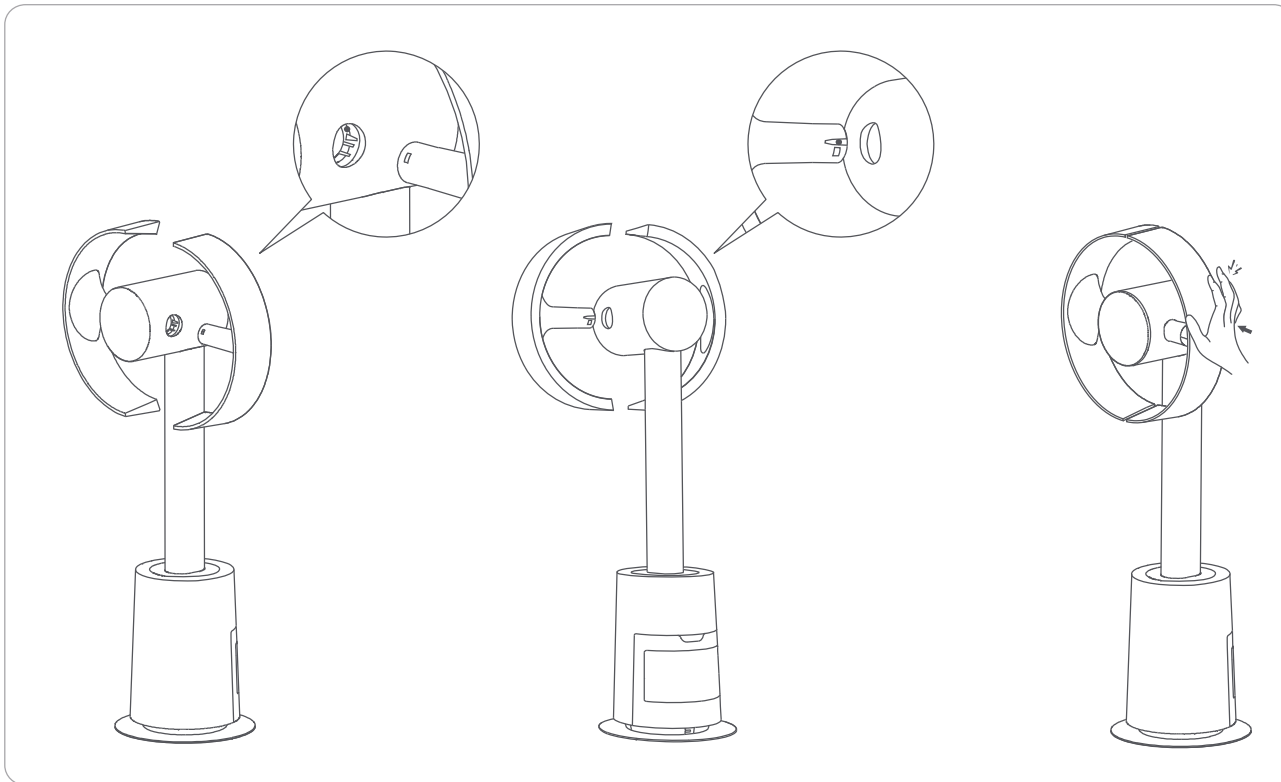
3. Rotate the main unit clockwise until the lock icon on the main unit aligns with the vertical icon on the base. A click sound indicates successful installation.



Installation Guide

4. Align the air outlet with the main unit interface, insert it firmly until a click is heard to indicate successful installation. Align the mounting boss with the corresponding slot during installation
5. Installation completed..

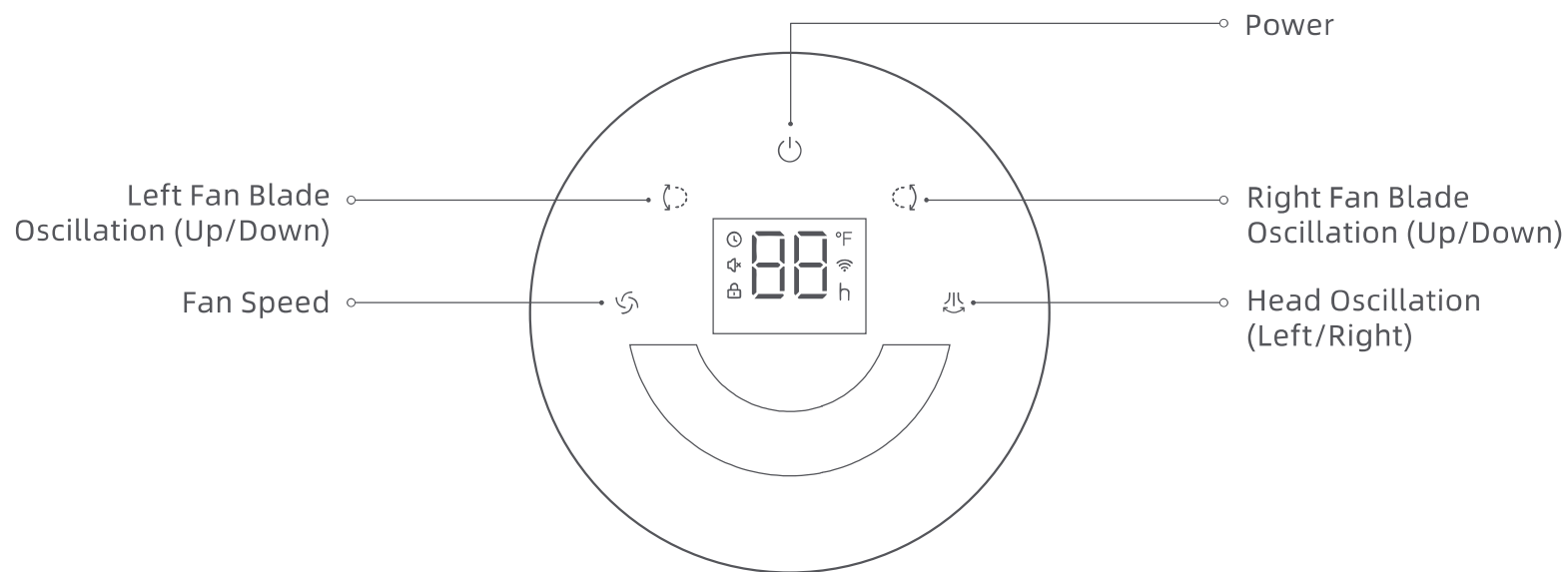
6. Remove the remote control from the packaging and attach it magnetically to the top of the fan.



Operating Instructions

Note: Place the appliance on a stable, level surface and ensure it is properly connected to the power supply.

Button Functions



Power

Press the Power button once to turn on the appliance. The display will light up, and the appliance will operate using the last settings. Press the Power button again to turn it off. The default setting is Smart Mode. Press and hold the Power button for 5 seconds to reset Wi-Fi.

Operating Instructions

Fan Speed

Press the Fan Speed button once, and the current speed level (Levels 1-10, starting from Level 1) will appear on the display.

Press the Fan Speed button repeatedly to increase or decrease the speed.

Press and hold the Fan Speed button for 5 seconds to enable the Child Lock, which disables all buttons. Press and hold it again for 5 seconds to disable the Child Lock.

Head Angle Control

Press once:

Press the Head Oscillation (Left/Right) button once to start head rotation.

The head will rotate left and right repeatedly within a 0-180° range.

Press the button again to stop the rotation at the current angle.

Press and hold:

1. If the left and right fan blades have stopped and are not in the neutral position:

On the first press and hold (both fan blades return to the neutral position and align);

On the second press and hold (both fan blades rotate synchronously);

On the third press and hold (both fan blades pause synchronously).

2. If the left and right fan blades have stopped and are already in the neutral position:

On the first press and hold (both fan blades rotate synchronously);

On the second press and hold (both fan blades pause synchronously);

Left Fan Blade Oscillation (Up/Down)

Press the button once to start oscillation. The fan blade moves up and down repeatedly within a 0-90° range. Press again to stop at the current angle.

Operating Instructions

Right Fan Blade Oscillation (Up/Down)

Press the button once to start oscillation. The fan blade moves up and down repeatedly within a 0-90° range. Press again to stop at the current angle.

Display Indicators



App Operation

Note: For faster setup, make sure Wi-Fi and Bluetooth are enabled on our phone.

1. Download the App

Scan the QR code on the appliance or search for "Dreamehome" in your app store. Follow the on-screen instructions to download and install the Dreamehome app.

Note:

- Wi-Fi connection supports 2.4 GHz networks only.
- Due to ongoing app updates, actual operations may differ slightly from the descriptions above. Please follow the guidance within the current version of the app.

2. Enter the Network Setup Mode

Press and hold the Power button on the control panel for 5 seconds until the "Wi-Fi" indicator flashes. The appliance is now in the network setup mode.

3. Add the Device

Open the Dreamehome app, tap "Scan to Connect". Scan the QR code on the appliance again to add the device, then follow the on-screen instructions in the app to complete the connection.

Troubleshooting

1. Fault Check

Refer to the table below for common faults and recommended solutions.

Fault	Possible Cause	Solution
The control panel does not respond	Power supply issue or control panel fault.	Check the power supply connection. Check whether any error code is shown on the panel.
Excessive operating noise	The appliance is not placed on a level surface	Make sure the appliance is placed on a level surface.
The appliance runs normally, but airflow is noticeably reduced	The air outlet is blocked by a foreign object.	Reposition the appliance to ensure adequate clearance.
The indicator light flashes, and a fault is indicated	Motor or sensor fault.	Please contact our after-sales service personnel for repair.
The appliance cannot be registered or cannot connect to the network	Network issue, or the cloud service platform is under maintenance.	Check your local network connection and make sure the Internet connection is working, or try again after the cloud service platform maintenance is completed.

2. Technical Support

If you encounter a problem that is not listed above, Please contact our after-sales service personnel for repair.

The Replacement of the Fuse

To Avoid the Risk of fire. Use only with a fuse rated 5A .

A. First, disconnect unit. Grasp plug and pull it from the wall outlet. DO plug by pulling on cord.

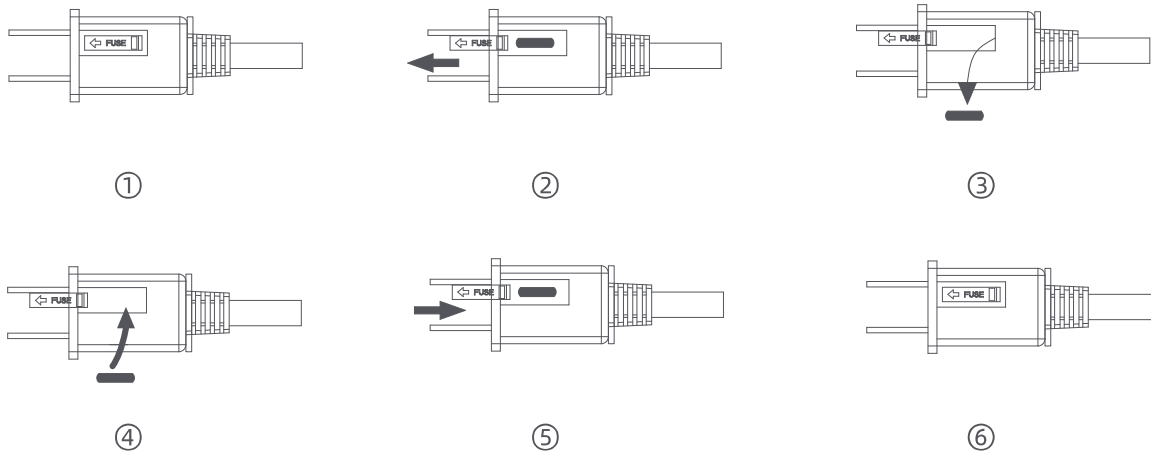
B. Lift open the fuse cover (See Fig. 1). To access fuse, slide the fuse acover located on the top of the plug, towards plug blades (See Fig. 2).

C. Remove the bad fuse by carefully prying it out. Make sure not to break e fuse (See Fig. 3).

D. Unclip the spare fuse located under the fuse cover and insert it into tplug compartment (See Fig.4).

E. Close fuse cover by sliding it toward the fan cord (See Fig.5). Now theement is finished (See Fig.6).

Note:Non-professionals are not advised to replace fuses by themselves.



Specifications

Model	CVF22A	Air Volume	28 m ³ /min	Rated Pressure	120 V~
Rated Current	0.8 A	Noise	65 dB(A)	Rated Frequency	60 Hz

The noise and air volume indicators are obtained in a third-party laboratory in accordance with IEC 60879

WEEE Information



All products bearing this symbol are waste electrical and electronic equipment (WEEE as in directive 2012/19/EU) which should not be mixed with unsorted household waste. Instead, you should protect human health and the environment by handing over your waste equipment to a designated collection point for the recycling of waste electrical and electronic equipment, appointed by the government or local authorities. Correct disposal and recycling will help prevent potential negative consequences to the environment and human health. Please contact the installer or local authorities for more information about the location as well as terms and conditions of such collection points.

Consignes de sécurité

LIRE ET CONSERVER CES CONSIGNES

LIRE TOUTES LES CONSIGNES AVANT D'UTILISER (CET APPAREIL). Le non-respect des avertissements et consignes peut entraîner une décharge électrique, un incendie et des blessures graves.

Veuillez lire attentivement ce manuel (le « Manuel ») avant utilisation et le conserver soigneusement pour toute référence ultérieure.

Merci d'avoir choisi le ventilateur sans pales Dreame. Avant toute utilisation, veuillez balayer le code QR pour télécharger l'application mobile et accéder à toutes les fonctionnalités.

Avertissement

- S'assurer que l'appareil est éteint et débranché lorsqu'il n'est pas utilisé pendant une longue période, ainsi qu'avant toute opération de maintenance ou de réparation.
 - Ne pas utiliser le ventilateur si le cordon d'alimentation ou la prise sont endommagés, ou si la prise ne s'insère pas solidement dans la prise murale, car cela peut provoquer une décharge électrique, un court-circuit ou un incendie.
 - Ne pas endommager le cordon d'alimentation, le plier de manière excessive, l'étirer, le tordre, l'enrouler, exercer de pression excessive sur celui-ci, ou le coincer, car cela pourrait provoquer une décharge électrique, un court-circuit ou un incendie.
 - Ne pas utiliser le produit si le cordon ou la prise sont endommagés. Jeter le cordon d'alimentation ou le rapporter à un centre de service agréé pour inspection ou réparation.
 - Utiliser uniquement une alimentation c.a. monophasée; sinon, un incendie ou une décharge électrique pourrait se produire.
 - Ne pas modifier l'appareil par soi-même. Seul un technicien agréé devrait démonter ou réparer l'appareil. Sinon, cela peut provoquer un incendie, une décharge électrique ou des blessures. Pour toute réparation, veuillez contacter le centre de service technique.
 - Ne pas brancher et débrancher la prise avec les mains mouillées, cela pourrait provoquer une décharge électrique ou des blessures.
 - Pour débrancher l'appareil, toujours tenir la prise elle-même. Ne pas tirer sur le cordon d'alimentation. Sinon, cela peut provoquer une décharge électrique, un court-circuit ou un incendie.
 - Si l'appareil n'est pas utilisé pendant une longue période, le débrancher de la source d'alimentation. Sinon, un isolant détérioré pourrait provoquer une décharge électrique, une fuite de courant ou un incendie.
 - Déplacer le ventilateur sans pales sur une surface plane pour éviter qu'il ne bascule.
- 16• Ne pas utiliser le ventilateur sans pales dans des environnements très humides, car cela pourrait réduire sa durée de vie.

- Pour utilisation à l'intérieur uniquement. Ne pas placer l'appareil dans un endroit où il pourrait être exposé à la pluie ou à d'autres conditions extérieures.
- Ne pas placer l'appareil dans une salle de bain, près d'un humidificateur ou dans d'autres zones très humides. L'humidité peut provoquer une décharge électrique ou un dysfonctionnement.
- Pour garantir un fonctionnement stable et silencieux, toujours placer l'appareil sur une surface stable et plane.
- Retirer régulièrement la poussière sur la prise. L'accumulation de poussière peut absorber l'humidité et provoquer des fuites, entraînant un risque d'incendie ou de décharge électrique.
- Ne pas utiliser l'appareil dans des zones exposées à de fortes vapeurs grasses (par exemple, les cuisines), car cela pourrait endommager la finition de la surface.
- Ne pas nettoyer l'appareil avec de l'essence, du diluant à peinture ou des produits similaires. Ne pas pulvériser d'insecticides sur l'appareil, car cela pourrait endommager la finition de la surface, provoquer une décharge électrique ou un incendie.
- Ne pas utiliser l'appareil pendant l'utilisation d'insecticides en aérosol à l'intérieur.
- Ne pas laisser l'appareil capter des gaz inflammables ni des étincelles provenant de cigarettes ou d'encens, car cela pourrait provoquer un incendie.
- Ne pas insérer les doigts ou des objets étrangers dans l'entrée ou la sortie d'air, cela pourrait entraîner une décharge électrique ou d'autres accidents.
- Cet appareil n'est pas destiné à être utilisé par des personnes (y compris les enfants) dont les capacités physiques, sensorielles ou mentales sont réduites, ou qui manquent d'expérience ou de connaissances, à moins qu'elles ne soient supervisées ou qu'elles aient reçu les instructions nécessaires sur l'utilisation de l'appareil par une personne responsable de leur sécurité. Les enfants doivent être surveillés afin de s'assurer qu'ils ne jouent pas avec l'appareil.
- Ne pas faire passer le cordon sous une moquette. Ne pas recouvrir le cordon avec des carpettes, des tapis de passage ou tout autre revêtement similaire. Ne pas faire passer le cordon sous des meubles ou des appareils électroménagers. Disposer le cordon à l'écart des zones de passage afin d'éviter tout risque de trébuchement.
- Pour réduire les risques d'incendie, d'explosion ou de blessure, s'assurer que le cordon d'alimentation et la pile lithium ne sont pas endommagés avant utilisation. Ne pas utiliser l'appareil si le cordon d'alimentation ou la pile lithium sont endommagés.
- Cet appareil est muni d'une fiche polarisée (l'une des broches est plus large que l'autre). Pour réduire le risque de décharge électrique, cette fiche doit être insérée dans une prise polarisée dans l'orientation appropriée. Retourner la fiche si celle-ci ne s'insère pas complètement dans la prise. Si elle ne s'insère toujours pas, contacter un électricien qualifié.
- Ne pas tenter de neutraliser ce dispositif de sécurité.
- **AVERTISSEMENT** - Pour réduire le risque d'incendie ou de décharge électrique, ne pas utiliser ce ventilateur avec un dispositif de contrôle de vitesse à semi-conducteurs.
- **AVERTISSEMENT** - Pour réduire le risque d'incendie, de décharge électrique ou de blessure, ne pas utiliser de pièces de rechange non recommandées par le fabricant (par exemple, des pièces fabriquées à la maison avec une imprimante 3D).

- **AVERTISSEMENT** : Risque de brûlure chimique et d'étouffement. Garder les piles hors de la portée des enfants. En cas d'ingestion, contacter immédiatement un médecin ou le centre antipoison local.
- Retirer et recycler ou jeter immédiatement les piles usagées conformément à la réglementation locale et les tenir hors de la portée des enfants. **NE PAS JETER** les piles dans les ordures ménagères et ne pas les incinérer.
- Même usagées, les piles peuvent causer des blessures graves ou entraîner la mort.
- Contacter un centre antipoison local pour obtenir des informations sur le traitement.
- Remplacer la pile par une pile bouton CR2025 et éliminer la pile usée de manière appropriée, conformément aux lois et à la réglementation locales.
- La tension nominale des piles boutons CR2025 est de 3,0 V.
- Les piles non rechargeables ne doivent pas être rechargées.
- Ne pas forcer la décharge, ne pas recharger la pile, ne pas la démonter, ne pas l'exposer à une température supérieure à 70 °C (158 °F) et ne pas l'incinérer. Le non-respect de ces consignes peut entraîner des blessures dues à des fuites, des dégagements de gaz ou des explosions pouvant provoquer des brûlures chimiques.
- S'assurer que les piles sont installées correctement en respectant la polarité (+ et -).
- Ne pas mélanger des piles neuves et des piles usées, ni des piles de marques ou de types différents, tels que les piles alcalines, au carbone-zinc ou les piles rechargeables.
- Retirer et recycler ou jeter immédiatement les piles des appareils qui ne seront pas utilisés pendant une longue période, conformément aux lois et à la réglementation locales.
- Veiller à ce que le compartiment à piles soit toujours correctement refermé. Si le compartiment à piles ne ferme pas correctement, cesser d'utiliser le produit, retirer les piles et les tenir hors de la portée des enfants.
- **REMARQUE** : Cet équipement a été testé et s'est révélé conforme aux limites applicables aux appareils numériques de classe B, conformément à la partie 15 des règles de la FCC. Ces limites sont conçues pour offrir une protection raisonnable contre les interférences nuisibles dans un environnement d'installation résidentielle. Cet équipement génère, utilise et peut émettre de l'énergie radiofréquentielle ; si il n'est pas installé et utilisé conformément aux instructions fournies, il risque de causer des interférences nuisibles aux communications radio. Cependant, il n'existe aucune garantie qu'aucune interférence ne se produira dans un environnement d'installation spécifique. Si cet équipement cause effectivement des interférences nuisibles à la réception radio ou télévision (ce qui peut être vérifié en mettant l'équipement hors tension puis sous tension), l'utilisateur est invité à tenter de corriger ces interférences en appliquant une ou plusieurs des mesures suivantes :– Réorienter ou déplacer l'antenne de réception.– Augmenter la distance séparant l'équipement et le récepteur.– Brancher l'équipement sur une prise de courant appartenant à un circuit différent de celui du récepteur.– Consulter le revendeur ou un technicien radio/télévision expérimenté pour obtenir de l'aide.
Avertissement MPE : Pour satisfaire aux exigences d'exposition aux RF de la FCC et de l'IC, une distance de séparation d'au moins 20 cm doit être maintenue entre l'antenne de cet appareil et les personnes pendant son fonctionnement. Pour garantir la conformité, il n'est pas recommandé d'utiliser l'appareil à une distance inférieure à cette valeur.

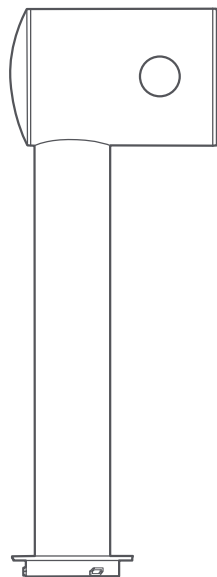
 **AVERTISSEMENT** Cet article contient une pile bouton.

AVERTISSEMENT

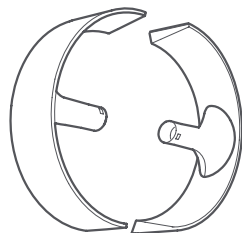
- **DANGER D'INGESTION** : Ce produit contient une pile bouton.
- **LA MORT** ou des blessures graves peuvent survenir en cas d'ingestion.
- Une pile bouton avalée peut provoquer des **brûlures chimiques internes** en seulement **deux heures**.
- **GARDER** les piles neuves et usagées **HORS DE PORTÉE DES ENFANTS**
- **Consulter immédiatement un médecin** si vous pensez qu'une pile a été avalée ou insérée dans une partie du corps.



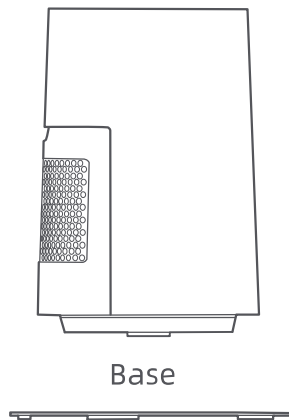
Contenu de l'emballage



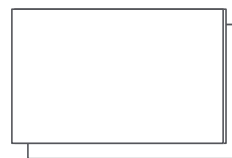
Unité principale



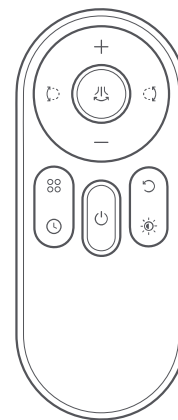
Sortie d'air



Plaque de base lestée



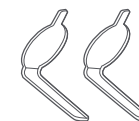
Manuel d'utilisation



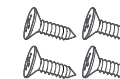
Télécommande



Tournevis



Outils de désassemblage

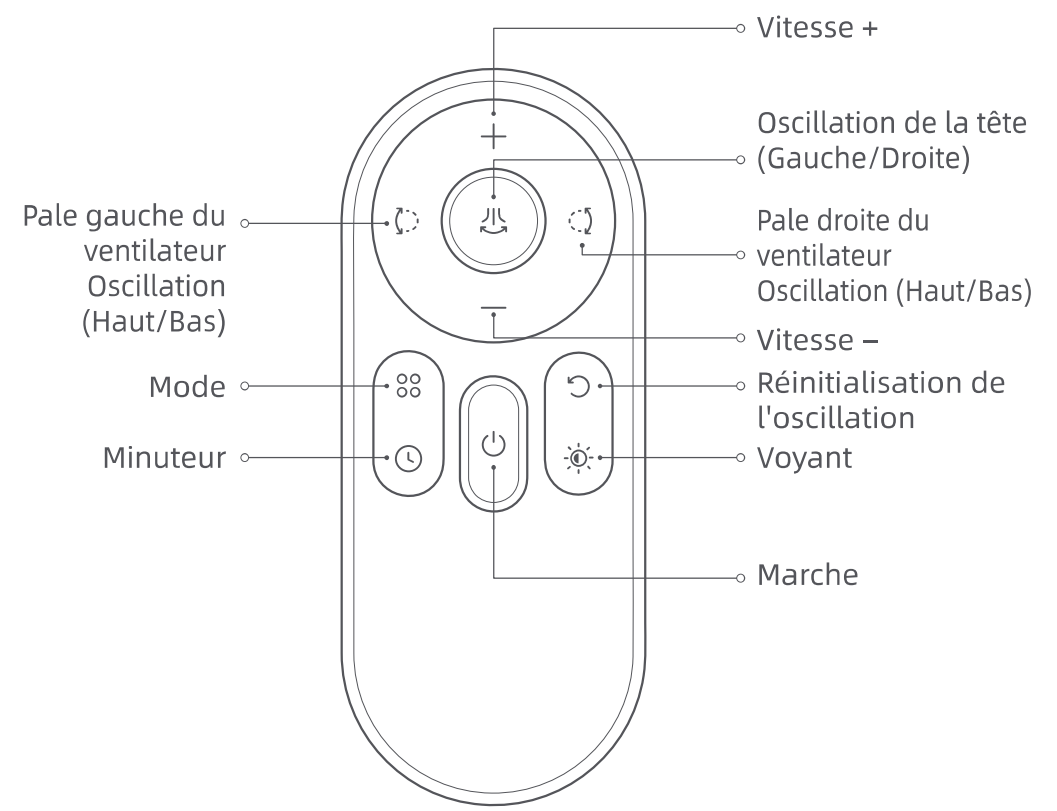
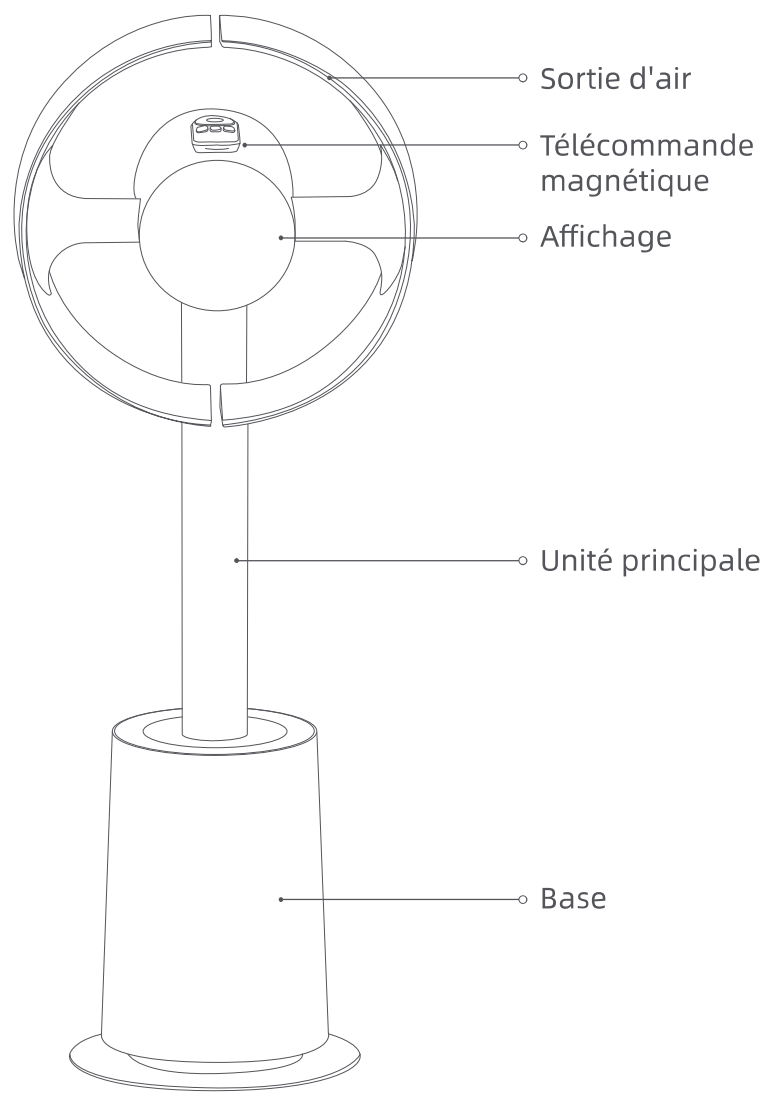


Vis

Remarque : L'apparence du produit présentée dans ce manuel (y compris, sans s'y limiter, la couleur) et les informations affichées dans l'application (y compris, sans s'y limiter, les images et textes du produit) sont fournies à titre indicatif et peuvent être modifiées.

Présentation du produit

Remarque : Les illustrations de ce manuel sont fournies à titre indicatif uniquement. Le produit réel peut différer.



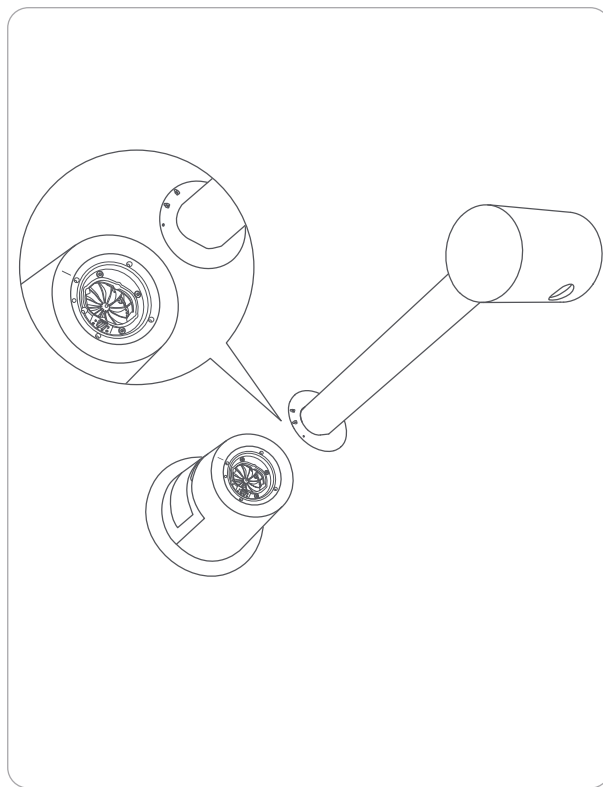
Guide d'installation

Avant la première utilisation, installez les accessoires comme indiqué ci-dessous. Pour ce faire, assurez-vous que l'appareil est éteint et débranché de la source d'alimentation. Rebranchez-le uniquement après avoir installé tous les accessoires.

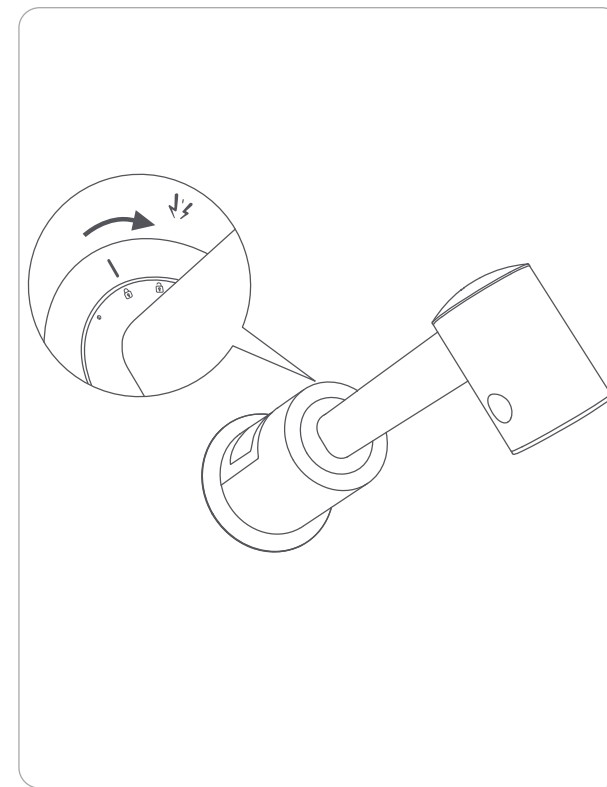
1. Alignez les trous de vis de la base et de la plaque de base lestée, puis serrez les vis pour terminer l'installation.



2. Alignez l'icône de déverrouillage sur l'unité principale avec l'icône verticale sur la base, puis insérez.



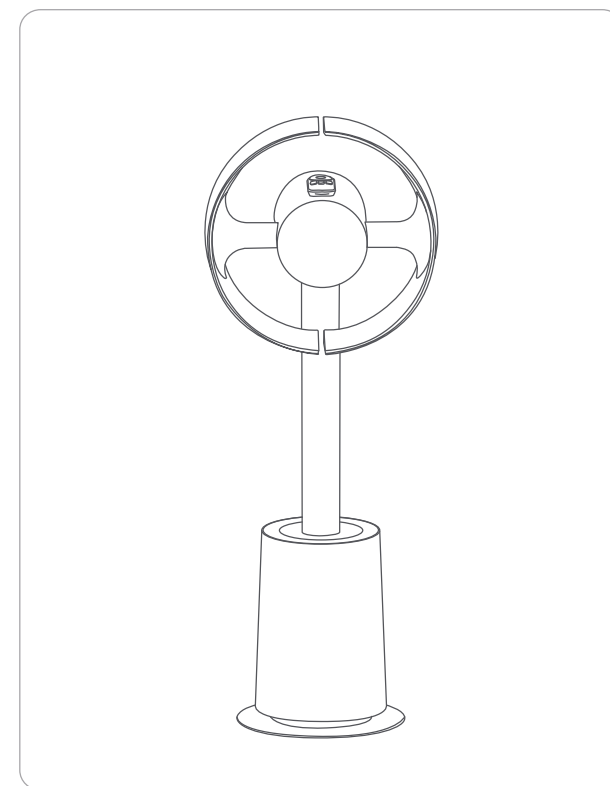
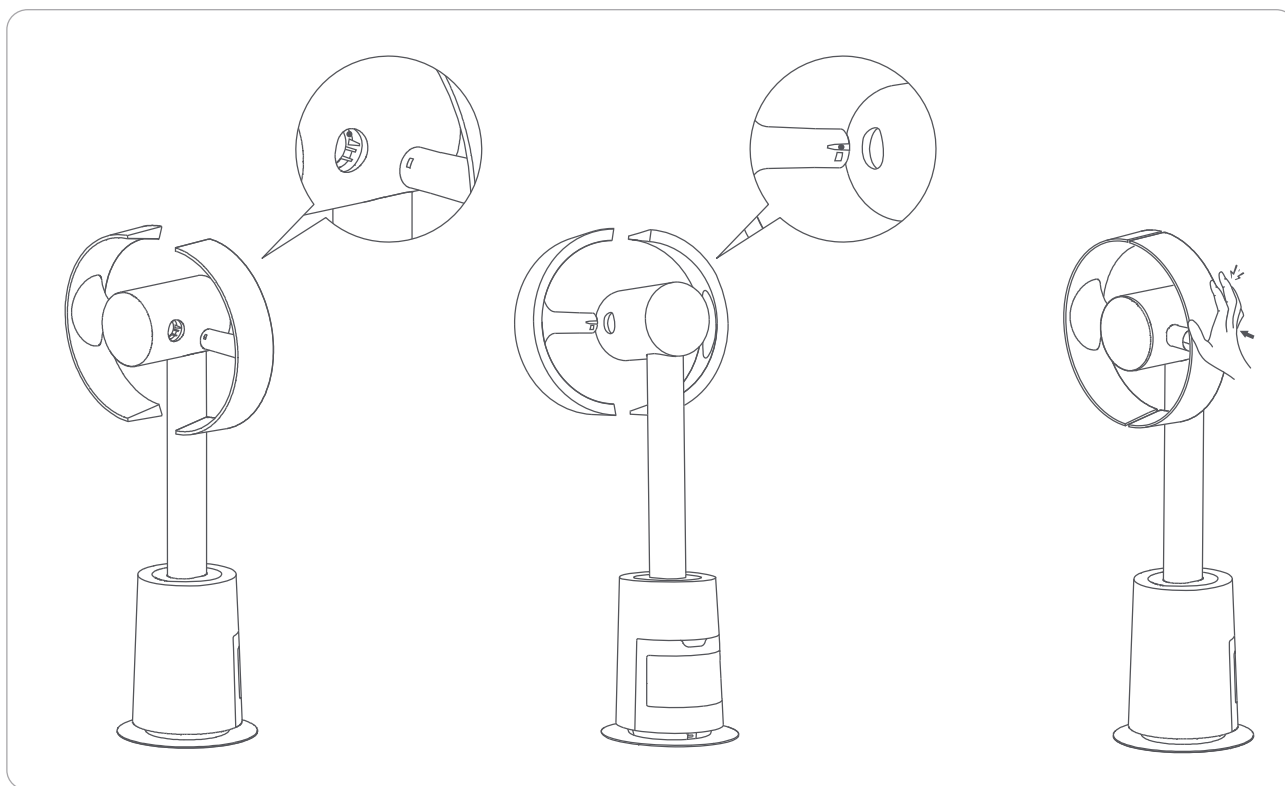
3. Tournez l'unité principale dans le sens des aiguilles d'une montre jusqu'à ce que l'icône de verrouillage sur l'unité principale soit alignée avec l'icône verticale sur la base. Un clic sonore indique que l'installation a réussi.



Guide d'installation

4. Alignez la sortie d'air avec l'interface de l'unité principale, insérez fermement jusqu'à entendre un clic indiquant que l'installation est réussie. Aligner le pivot de montage avec la fente correspondante lors de l'installation
5. Installation terminée.

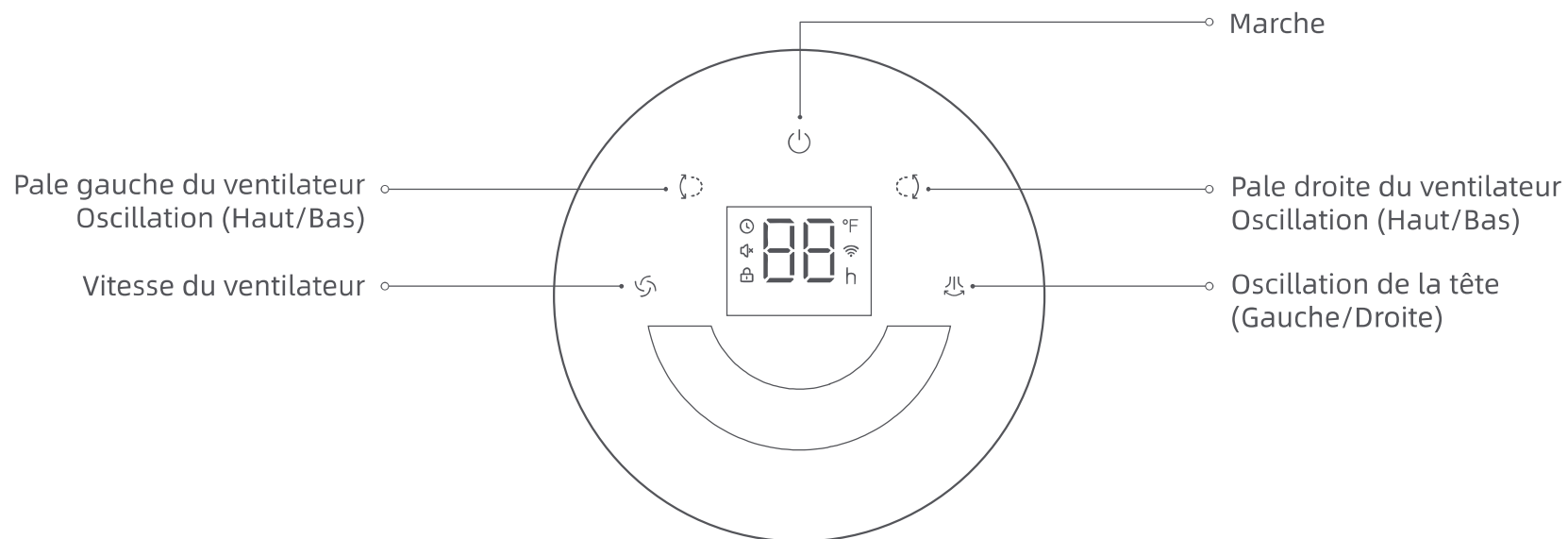
6. Retirez la télécommande de l'emballage et fixez-la magnétiquement sur le dessus du ventilateur.



Instructions d'utilisation

Remarque : Placer l'appareil sur une surface stable et plane, et s'assurer qu'il est correctement branché à l'alimentation.

Fonctions des boutons



🔌 Marche

Appuyer une fois sur le bouton Marche pour allumer l'appareil.

L'affichage s'allume et l'appareil fonctionne avec les derniers réglages utilisés.

Appuyer à nouveau sur le bouton Marche pour l'éteindre. Le mode par défaut est le Mode intelligent.

Maintenir le bouton Marche enfoncé pendant 5 secondes pour réinitialiser le Wi-Fi.

Instructions d'utilisation

Vitesse du ventilateur

Appuyer une fois sur le bouton Vitesse du ventilateur : le niveau de vitesse actuel (niveaux 1 à 10, à partir du niveau 1) s'affichera.

Appuyer plusieurs fois sur le bouton Vitesse du ventilateur pour augmenter ou diminuer la vitesse.

Maintenir le bouton Vitesse du ventilateur enfoncé pendant 5 secondes pour activer le verrouillage pour enfants, lequel désactive tous les boutons. Maintenir de nouveau le bouton enfoncé pendant 5 secondes pour désactiver le verrouillage pour enfants.

Contrôle de l'inclinaison de la tête

Appuyer une fois :

Appuyer une fois sur le bouton Oscillation de la tête (gauche/droite) pour activer la rotation de la tête.

La tête pivote de gauche à droite de manière répétée dans une plage de 0 à 180°.

Appuyer de nouveau sur le bouton pour arrêter la rotation à l'angle actuel.

Maintenir le bouton enfoncé :

1. Si les pales gauche et droite sont arrêtées et ne sont pas en position neutre :

lorsque le bouton est maintenu enfoncé une première fois (les deux pales reviennent en position neutre et s'alignent);

lorsque le bouton est maintenu enfoncé une deuxième fois (les deux pales tournent de façon synchronisée);

lorsque le bouton est maintenu enfoncé une troisième fois (les deux pales s'arrêtent en même temps).

2. Si les pales gauche et droite sont arrêtées et déjà en position neutre :

lorsque le bouton est maintenu enfoncé une première fois (les deux pales tournent de façon synchronisée);

lorsque le bouton est maintenu enfoncé une deuxième fois (les deux pales s'arrêtent en même temps).

Oscillation de la pale gauche (haut/bas)

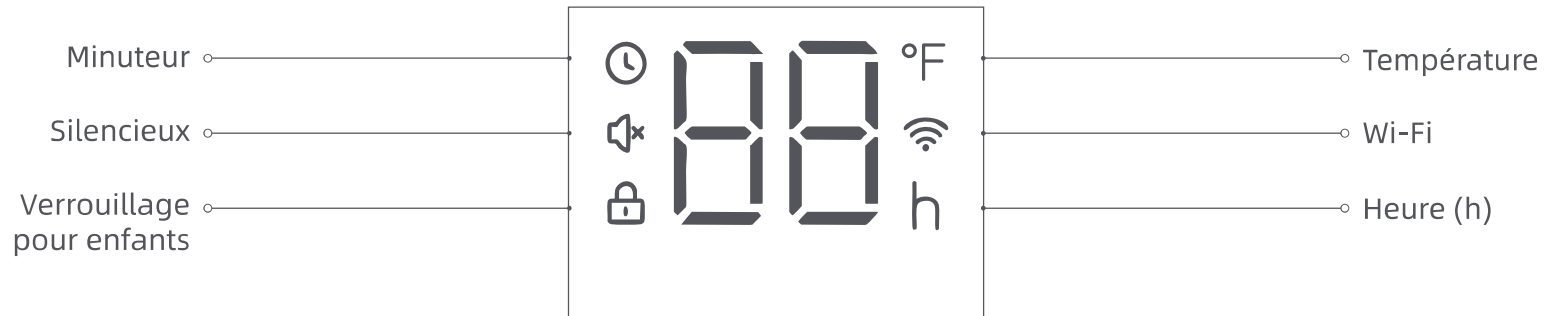
Appuyer une fois sur le bouton pour démarrer l'oscillation. La pale du ventilateur se déplace de haut en bas de façon répétée dans une plage de 0 à 90°. Appuyer à nouveau pour s'arrêter à l'angle actuel.

Instructions d'utilisation

Oscillation de la pale droite (haut/bas)

Appuyer une fois sur le bouton pour démarrer l'oscillation. La pale du ventilateur se déplace de haut en bas de façon répétée dans une plage de 0 à 90°. Appuyer à nouveau pour s'arrêter à l'angle actuel.

Indicateurs d'affichage



Fonctionnement de l'application

Remarque : Pour une configuration plus rapide, s'assurer que le Wi-Fi et le Bluetooth sont activés sur votre téléphone.

1. Télécharger l'application

Balayer le code QR sur l'appareil ou rechercher « Dreamehome » dans la boutique d'applications. Suivre les instructions à l'écran pour télécharger et installer l'application Dreamehome.

Remarque :

- La connexion Wi-Fi prend uniquement en charge les réseaux 2,4 GHz.
- En raison des mises à jour continues de l'application, les opérations réelles peuvent légèrement différer des descriptions ci-dessus. Veuillez suivre les indications de la version actuelle de l'application.

2. Entrer en Mode configuration réseau

Maintenir le bouton d'alimentation du panneau de commande enfoncé pendant 5 secondes jusqu'à ce que l'indicateur « Wi-Fi » clignote. L'appareil est maintenant en mode configuration réseau.

3. Ajouter l'appareil

Ouvrir l'application Dreamehome, appuyer sur « Balayer pour connecter ». Balayer à nouveau le code QR sur l'appareil pour ajouter le dispositif, puis suivre les instructions à l'écran dans l'application pour terminer la connexion.

Dépannage

1. Diagnostic des erreurs

Consulter le tableau ci-dessous pour les pannes courantes et les solutions recommandées.

Défaillance	Cause possible	Solution
Le panneau de commande ne répond pas	Problème d'alimentation ou défaut du panneau de commande.	Vérifier la connexion à l'alimentation. Vérifier si un code d'erreur s'affiche sur le panneau.
Bruit de fonctionnement excessif	L'appareil n'est pas posé sur une surface plane.	S'assurer que l'appareil est posé sur une surface plane.
L'appareil fonctionne normalement, mais le débit d'air est sensiblement réduit	La sortie d'air est obstruée par un objet étranger.	Déplacer l'appareil pour garantir un espace suffisant.
Le voyant clignote et une défaillance est signalée	Défaut du moteur ou du capteur.	Veillez contacter notre service après-vente pour une réparation.
L'appareil ne peut pas être enregistré ou ne peut pas se connecter au réseau	Un problème de réseau est survenu ou la plateforme infonuagique est en cours de maintenance.	Vérifier la connexion au réseau local et s'assurer que l'accès à Internet fonctionne, ou réessayer une fois la maintenance de la plateforme infonuagique terminée.

2. Assistance technique

Si un problème non listé ci-dessus survient, veuillez contacter notre service après-vente pour une réparation.

Spécifications

Pour éviter tout risque d'incendie. Utiliser exclusivement un fusible de calibre 5 A.

A. Tout d'abord, débrancher l'appareil. Saisir la fiche et la tirer de la prise murale. Ne pas débrancher en tirant sur le cordon.

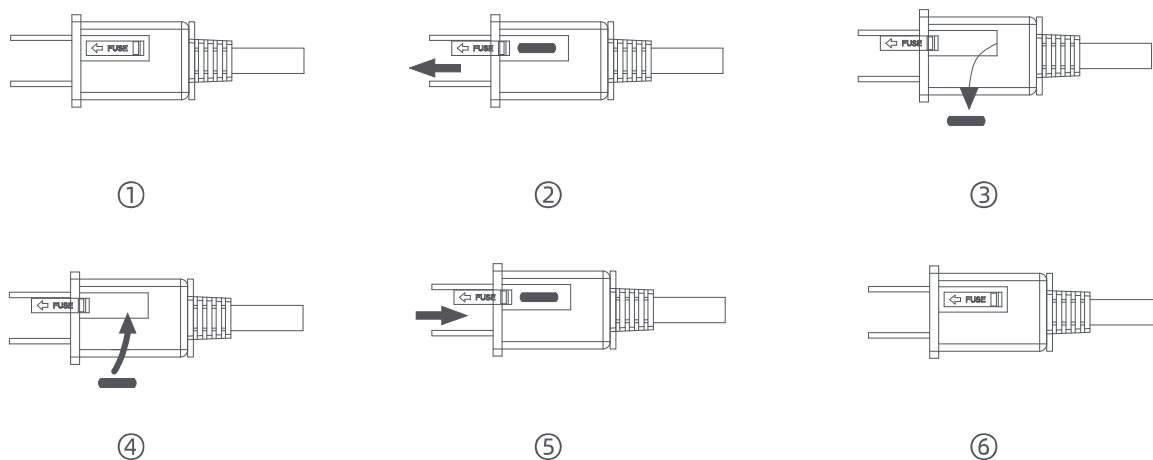
B. Ouvrir le couvercle du fusible en le soulevant (voir fig. 1). Pour accéder au fusible, faire glisser le couvercle du fusible situé sur la partie supérieure de la fiche, vers les broches de la fiche (voir fig. 2).

C. Extraire le fusible défectueux en le décrochant délicatement à l'aide d'un outil. Veiller à ne pas casser le fusible (voir fig. 3).

D. Détacher le fusible de secours situé sous le couvercle du fusible et l'insérer dans le logement de la fiche (voir fig. 4).

E. Fermer le couvercle du fusible en le faisant glisser vers le cordon du ventilateur (voir fig. 5). L'opération est alors terminée (voir fig. 6).

Remarque : Il n'est pas recommandé aux non-professionnels de remplacer le fusible par eux-mêmes.



Spécifications

Modèle	CVF22A	Débit d'air	28 m ³ /min	Tension nominale	120 V~
Courant nominal	0,8 A	Bruit	65 dB (A)	Fréquence nominale	60 Hz

Les indicateurs de bruit et de volume d'air sont obtenus dans un laboratoire tiers conformément à la norme IEC 60879

Informations DEEE



Tous les produits portant ce symbole sont des déchets d'équipements électriques et électroniques (DEEE, selon la directive 2012/19/UE) qui ne doivent pas être jetés avec les ordures ménagères non triées. Pour protéger la santé humaine et l'environnement, veuillez déposer les équipements usagés dans un point de collecte pour le recyclage des déchets d'équipements électriques et électroniques, tel que désigné par le gouvernement ou les autorités locales. Un traitement et un recyclage appropriés permettront d'éviter d'éventuelles conséquences négatives pour l'environnement et la santé humaine. Veuillez contacter l'installateur ou les autorités locales pour plus d'informations relatives à l'emplacement et aux modalités de ces points de collecte.

Instrucciones de seguridad

LEA Y GUARDE ESTAS INSTRUCCIONES

LEA TODAS LAS INSTRUCCIONES ANTES DE USAR (ESTE APARATO). No seguir las advertencias e instrucciones puede provocar una descarga eléctrica, un incendio o lesiones graves.

Lea detenidamente este Manual (el "Manual") antes de usar el producto y consérvelo en un lugar seguro para futuras consultas.

Gracias por elegir el ventilador sin aspas Dreame. Antes de usarlo, escanee el código QR para descargar la aplicación móvil y acceder a todas las funciones.

Advertencia

- Asegúrese de que el aparato esté apagado y desenchufado cuando no lo utilice por períodos prolongados, así como antes de realizar cualquier mantenimiento o reparación.
- No utilice el ventilador si el cable de alimentación o el enchufe están dañados, o si el enchufe queda flojo en la toma, ya que esto puede causar una descarga eléctrica, un cortocircuito o un incendio.
- No dañe, doble en exceso, estire, retuerza, enrolle, aplique demasiada presión ni pellizque el cable de alimentación, ya que esto puede provocar una descarga eléctrica, un cortocircuito o un incendio.
- No utilice el producto si el cable o el enchufe están dañados. Deseche el aparato o llévelo a un centro de servicio autorizado para su revisión o reparación.
- Utilice únicamente corriente alterna monofásica; de lo contrario, puede producirse un incendio o una descarga eléctrica.
- No modifique el aparato por su cuenta. No lo desmonte ni repare a menos que sea un técnico autorizado. De lo contrario, puede provocar un incendio, una descarga eléctrica o lesiones. Si necesita reparaciones, comuníquese con el centro de servicio técnico.
- No enchufe ni desenchufe el aparato con las manos mojadas, ya que esto puede causar una descarga eléctrica o lesiones.
- Al desenchufar, sujete siempre el enchufe. No tire del cable de alimentación. De lo contrario, puede provocar una descarga eléctrica, un cortocircuito o un incendio.
- Si no va a utilizar el aparato durante un largo período, desenchúfelo del suministro de corriente. De lo contrario, el deterioro del aislamiento puede causar una descarga eléctrica, fugas eléctricas o un incendio.

- Coloque el ventilador sin aspas sobre una superficie plana para evitar que se vuelque.
- No utilice el ventilador sin aspas en ambientes con humedad alta, ya que esto puede acortar su vida útil.
- Solo para uso en interiores. No coloque el aparato donde pueda estar expuesto a la lluvia u otras condiciones exteriores.
- No coloque el aparato en baños, cerca de humidificadores ni en otras áreas de humedad alta. La humedad puede causar una descarga eléctrica o falla de funcionamiento.
- Para garantizar un funcionamiento estable y silencioso, coloque siempre el aparato sobre una superficie estable y nivelada.
- Limpie frecuentemente el polvo del enchufe. La acumulación de polvo puede absorber humedad y provocar fugas, lo que podría causar incendios o descargas eléctricas.
- No utilice el aparato en áreas con presencia de humo o grasa, como cocinas, ya que esto podría dañar el acabado de la superficie.
- No limpie el aparato con gasolina, solventes o productos similares. No rocíe insecticidas sobre el aparato, ya que esto puede dañar el acabado de la superficie, provocar descargas eléctricas o incendios.
- No utilice el aparato mientras esté aplicando insecticidas en aerosol en espacios interiores.
- No permita que el aparato aspire gases inflamables ni chispas provenientes de cigarrillos o incienso, ya que esto podría provocar un incendio.
- No introduzca los dedos ni objetos extraños en la entrada o salida de aire, ya que esto puede provocar descargas eléctricas u otros accidentes.
- Este aparato no está diseñado para que lo utilicen personas (incluidos niños) con capacidades físicas, sensoriales o mentales reducidas, o con falta de experiencia y conocimientos, a menos que estén bajo supervisión o reciban instrucciones sobre el uso del aparato por parte de una persona responsable de su seguridad. Se debe supervisar a los niños para asegurarse de que no manipulen el aparato.
- No pase el cable por debajo de alfombras. No cubra el cable con alfombras, tapetes o accesorios similares. No pase el cable por debajo de muebles u otros aparatos. Coloque el cable lejos de las zonas de paso para evitar tropiezos.
- Para reducir el riesgo de incendio, explosión o lesiones, asegúrese de que el cable de alimentación y la pila de litio estén en buen estado antes del uso. No utilice el aparato si el cable de alimentación o la pila de litio están dañados.
- Este aparato tiene un enchufe polarizado (una de las clavijas es más ancha que la otra). Para reducir el riesgo de descarga eléctrica, este enchufe está diseñado para que se conecte a una toma de corriente polarizada en una sola posición. Si el enchufe no encaja completamente en la toma de corriente, gírelo e intente conectarlo de nuevo. Si tampoco encaja, comuníquese con un electricista certificado.
- No intente desactivar esta función de seguridad.
- **ADVERTENCIA:** Para reducir el riesgo de incendios o descargas eléctricas, no utilice este ventilador con ningún dispositivo de control de velocidad de estado sólido.

- **ADVERTENCIA:** Para reducir el riesgo de incendios, descargas eléctricas o lesiones, no utilice piezas de repuesto que no haya recomendado el fabricante (por ejemplo, piezas fabricadas en casa con una impresora 3D).
- **ADVERTENCIA:** Peligro de quemaduras químicas y riesgo de asfixia. Mantenga las pilas fuera del alcance de los niños. En caso de ingestión, comuníquese con su médico o al centro de toxicología más cercano.
- Retire y recicle o deseche de inmediato las pilas usadas de acuerdo con las normativas locales y manténgalas fuera del alcance de los niños. NO deseche las pilas en la basura doméstica ni las incinere.
- Incluso las pilas usadas pueden causar lesiones graves o la muerte.
- Llame a un centro de toxicología local para obtener información sobre el tratamiento.
- Reemplace la pila por una pila de botón "CR2025" y deseche la pila usada de manera adecuada y conforme a la legislación y las normativas locales.
- La tensión nominal de la pila de botón "CR2025" es de 3,0 V.
- Las pilas no recargables no deben recargarse.
- No fuerce la descarga, recargue, desmonte, caliente por encima de 70 °C (158 °F) ni incinere. Si lo hace, podría sufrir lesiones debido a ventilación, fugas o explosiones que provoquen quemaduras químicas.
- Asegúrese de instalar las pilas correctamente según la polaridad (+ y -).
- No mezcle pilas viejas y nuevas, diferentes marcas o tipos de pilas, como alcalinas, de carbono-zinc o recargables.
- Retire e inmediatamente recicle o deseche según las normativas locales las pilas de los equipos que no se utilicen durante un período prolongado.
- Cierre siempre el compartimento de las pilas por completo. Si el compartimento de las pilas no cierra correctamente, deje de usar el producto, retire las pilas y manténgalas fuera del alcance de los niños.
- **NOTA:** Este equipo ha sido sometido a pruebas y se ha comprobado que cumple los límites establecidos para los dispositivos digitales de Clase B, de conformidad con la Parte 15 de las Normas de la FCC. Dichos límites están diseñados para ofrecer una protección razonable contra las interferencias perjudiciales en instalaciones residenciales. Este equipo genera, utiliza y puede emitir energía de radiofrecuencia; si no se instala y utiliza de acuerdo con las instrucciones suministradas, podría causar interferencias perjudiciales en las comunicaciones radiofónicas. No obstante, no existe ninguna garantía de que no se produzcan interferencias en una instalación concreta. Si este equipo causa efectivamente interferencias perjudiciales en la recepción de radio o televisión (lo cual se puede comprobar apagando y encendiendo el equipo), se recomienda al usuario intentar corregir las interferencias aplicando una o varias de las siguientes medidas:– Reorientar o trasladar la antena de recepción.– Aumentar la distancia entre el equipo y el receptor.– Conectar el equipo a un tomacorriente de un circuito diferente al del receptor.– Consultar con el distribuidor o un técnico experto en radio y televisión para obtener ayuda.
Precaución MPE:Para cumplir con los requisitos de exposición a RF de la FCC y la IC, se debe mantener una distancia de separación de al menos 20 cm entre la antena de este dispositivo y las personas durante su funcionamiento.Para garantizar el cumplimiento de la normativa, no se recomienda utilizar el dispositivo a una distancia inferior a esta.



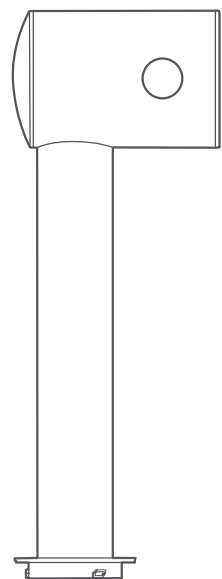
ADVERTENCIA Esto contiene una pila de botón o pila tipo moneda.

⚠ ADVERTENCIA

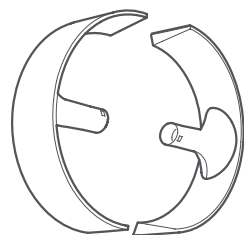
- **PELIGRO DE INGESTIÓN:** Esto contiene una pila de botón o pila tipo moneda.
- **LA MUERTE** o lesiones graves pueden ocurrir si se ingieren.
- Una pila de botón o tipo moneda tragada puede causar **Quemaduras Químicas Internas** en tan solo **2 horas**.
- **MANTENGA** Las Pilas Nuevas Y Usadas **FUERA DEL ALCANCE DE LOS NIÑOS**
- **Busque atención médica inmediatamente** si sospecha que una pila ha sido ingerida o insertada en cualquier parte del cuerpo.



Lista de embalaje



Unidad principal



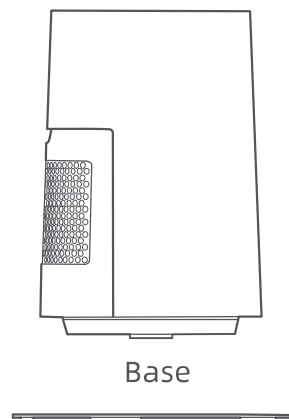
Salida de aire



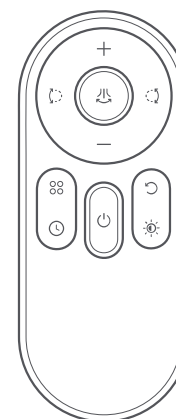
Manual del usuario



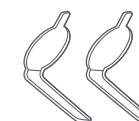
Herramientas de destornillador



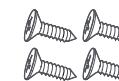
Placa base con peso



Control remoto



Herramientas de desmontaje

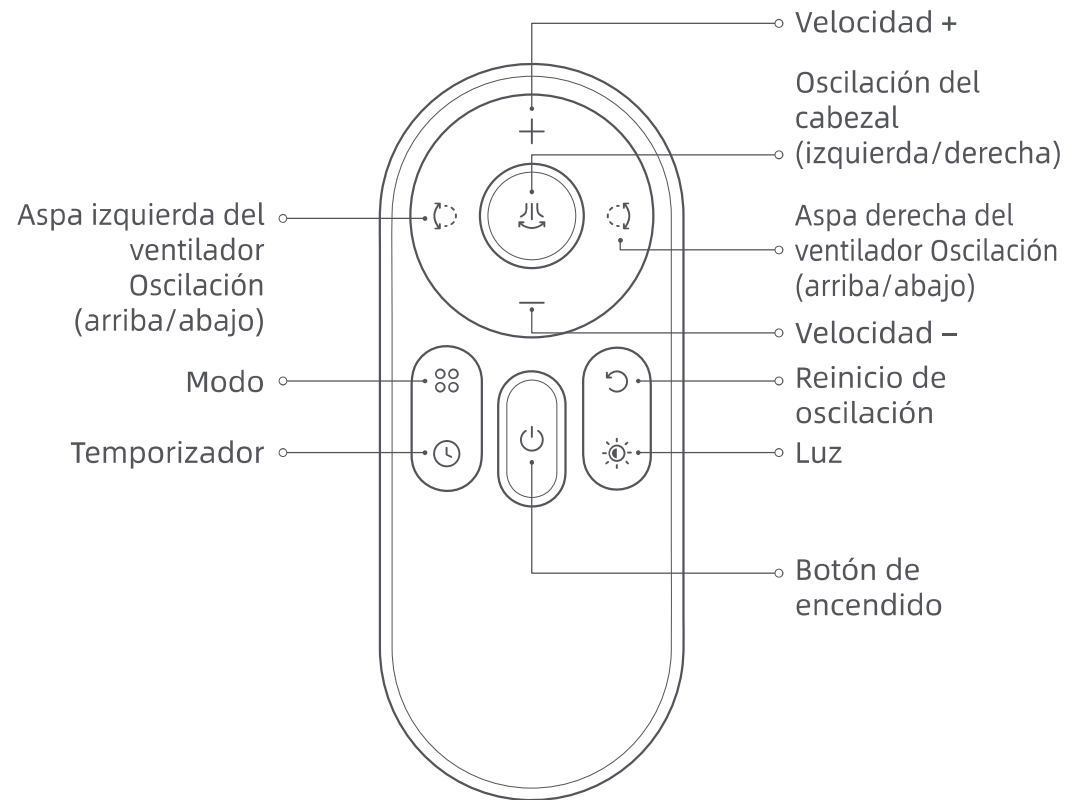
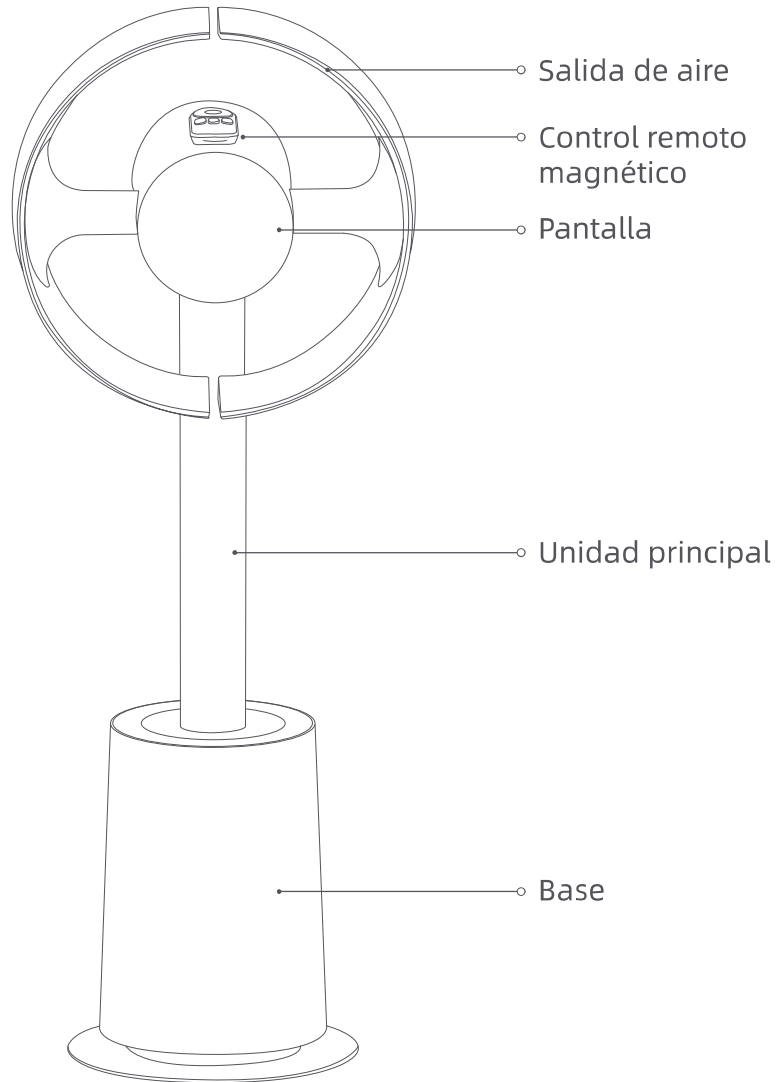


Destornilladores

Nota: La apariencia del producto que se muestra en este Manual (incluido, entre otros, el color) y la información visualizada en la aplicación (incluida, entre otra, las imágenes y los textos del producto) son solo de referencia y pueden estar sujetas a cambios.

Descripción general del producto

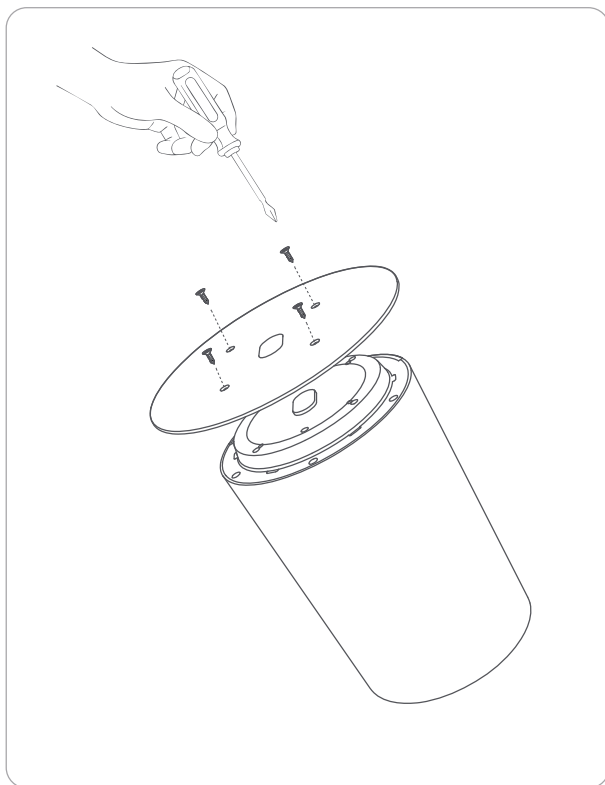
Nota: Las ilustraciones de este manual son solo indicativas. El producto real puede variar.



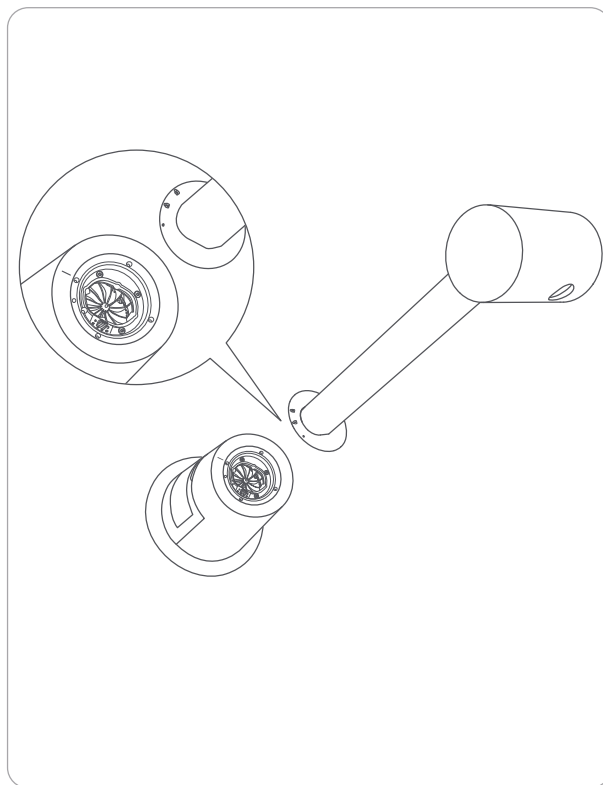
Guía de instalación

Antes de usar el producto por primera vez, instale los accesorios siguiendo las instrucciones dadas a continuación. Asegúrese de que el aparato esté apagado y desenchufado de la toma de corriente antes de la instalación. Vuelva a enchufarlo a la toma de corriente después de instalar todos los accesorios.

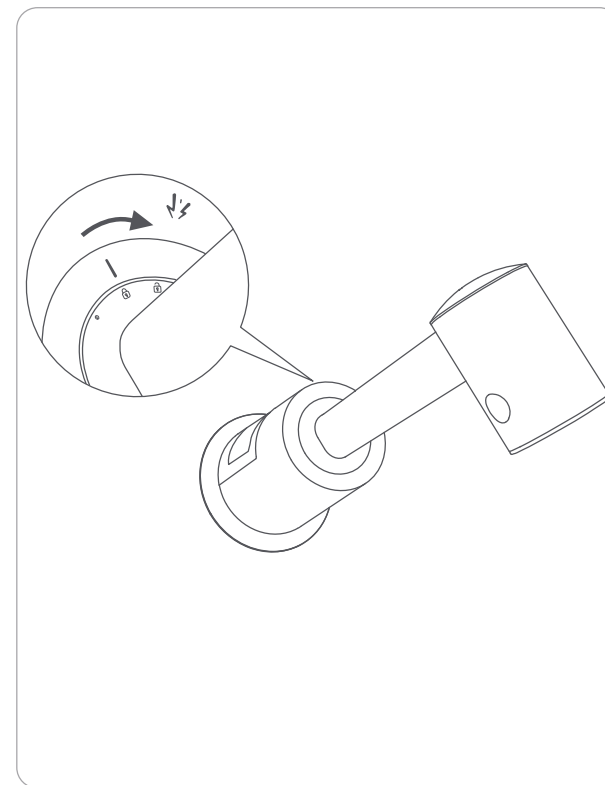
1. Alinee los orificios para tornillos de la base y la placa base con peso, luego apriete los tornillos para completar la instalación.



2. Haga coincidir el icono de desbloqueo de la unidad principal con el icono vertical de la base y, luego, inserte la unidad principal en la base.

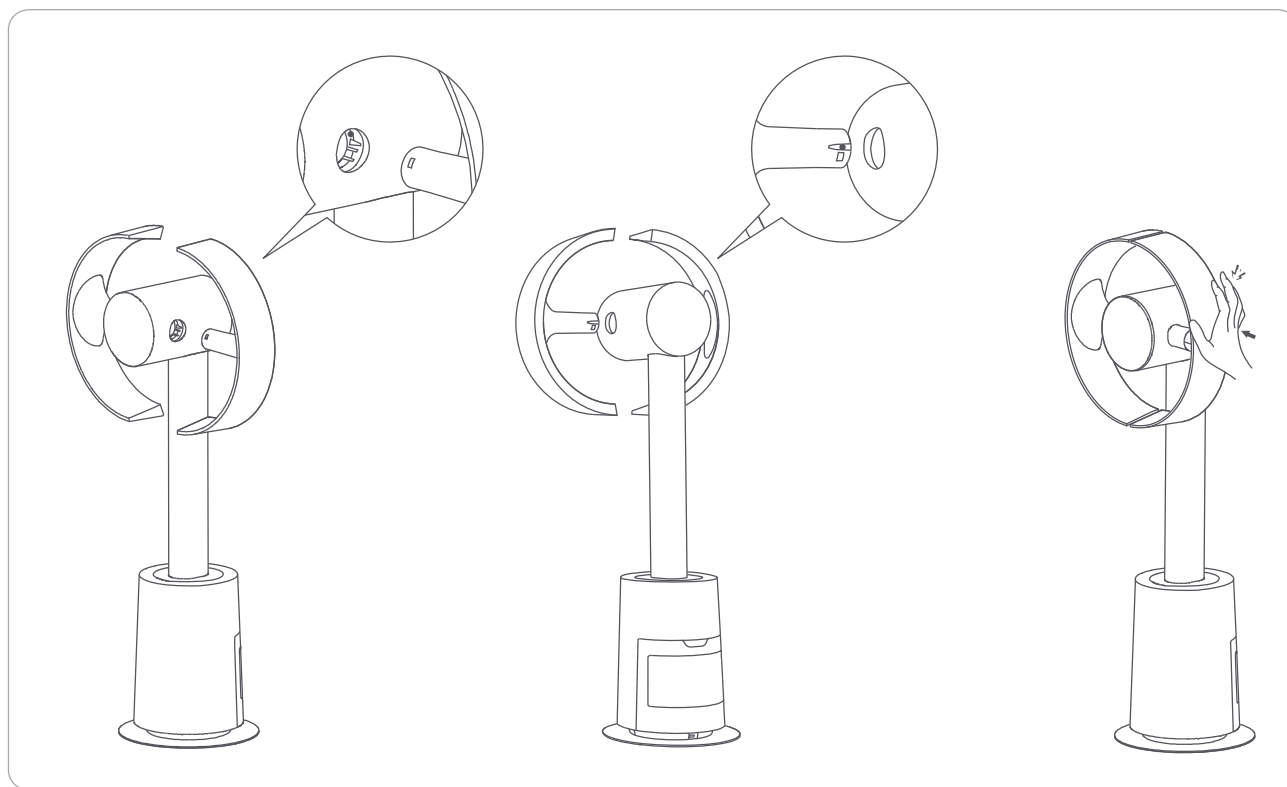


3. Gire la unidad principal hacia la derecha hasta que el icono de bloqueo de la unidad principal coincida con el icono vertical de la base. Se oirá un clic que indica que la instalación se ha realizado correctamente.

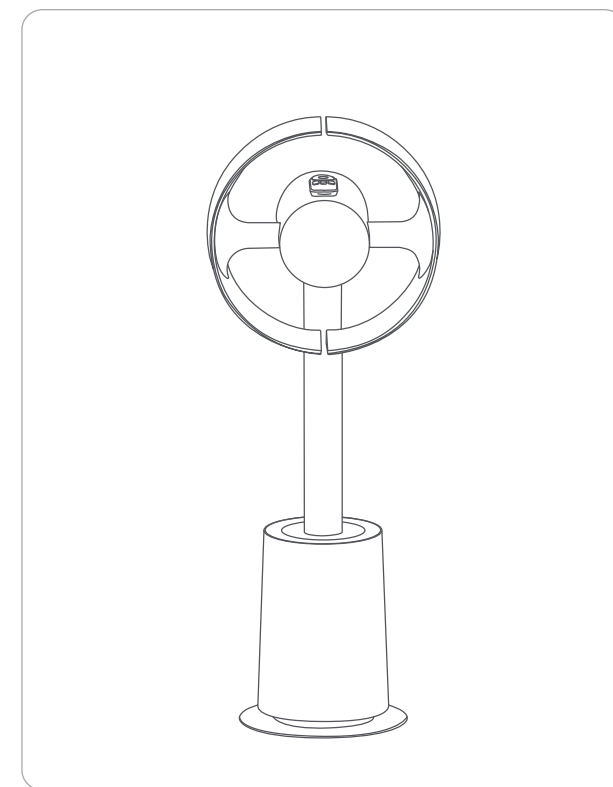


Guía de instalación

4. Alinee la salida de aire con la interfaz de la unidad principal, insértela firmemente hasta escuchar un clic que indique que la instalación fue exitosa. Alinee el saliente de montaje con la ranura correspondiente durante la instalación.
5. Instalación completada.



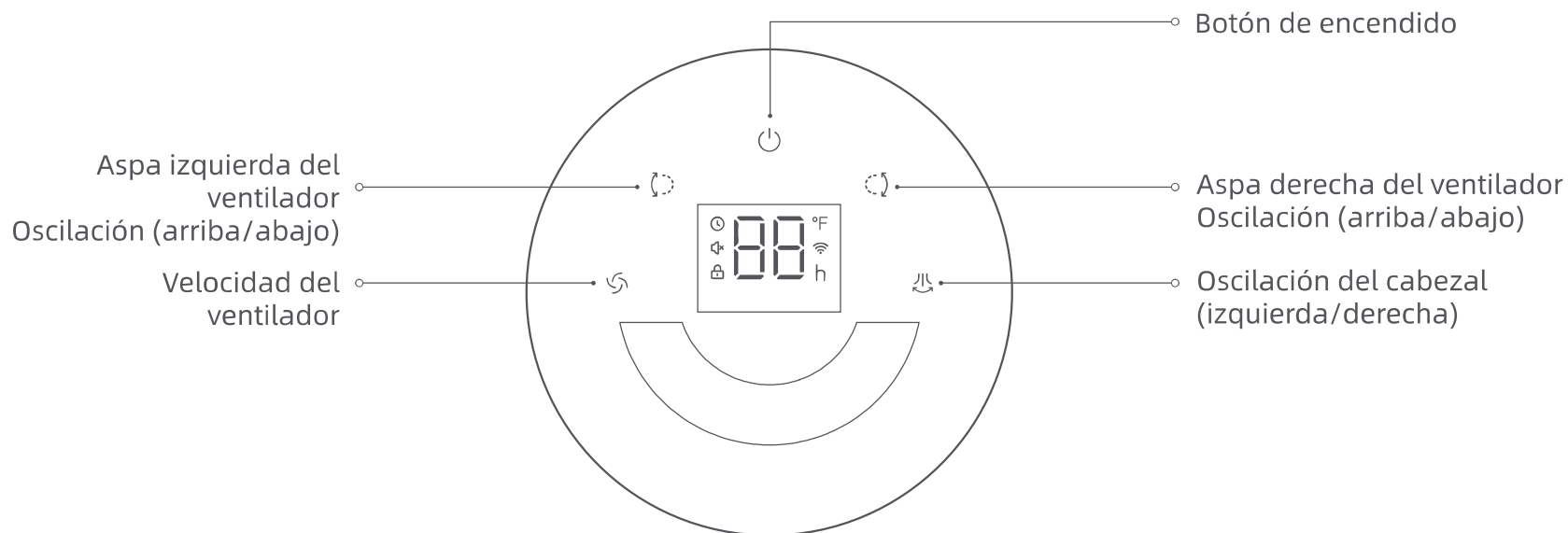
6. Saque el mando a distancia del envoltorio y fíjelo magnéticamente a la parte superior del ventilador.



Instrucciones de uso

Nota: Coloque el aparato sobre una superficie estable y nivelada, y asegúrese de que esté conectado correctamente al suministro de corriente.

Funciones de los botones



Botón de encendido

Presione el botón de encendido una vez para encender el aparato.

La pantalla se iluminará y el aparato funcionará con la última configuración utilizada.

Presione el botón de encendido nuevamente para apagarlo. El modo predeterminado es el Modo inteligente.

Mantenga presionado el botón de encendido durante 5 segundos para restablecer el Wi-Fi.

Instrucciones de uso

Velocidad del ventilador

Presione el botón Velocidad del ventilador una vez y el nivel de velocidad actual (niveles 1-10, comenzando desde el nivel 1) aparecerá en la pantalla.

Presione repetidamente el botón Velocidad del ventilador para aumentar o disminuir la velocidad.

Mantenga presionado el botón Velocidad del ventilador durante 5 segundos para activar el Bloqueo para niños, que deshabilita todos los botones. Manténgalo presionado nuevamente durante 5 segundos para desactivar el Bloqueo para niños.

Control de ángulo del cabezal

Presione una vez:

Presione el botón de Oscilación del cabezal (izquierda/derecha) una vez para iniciar la rotación del cabezal.

El cabezal girará de izquierda a derecha repetidamente dentro de un rango de 0° a 180°.

Presione el botón de nuevo para detener la rotación en el ángulo actual.

Mantenga presionado:

1. Si las aspas izquierda y derecha del ventilador se detuvieron y no están en la posición neutral:
la primera vez que mantenga presionado (ambas aspas regresan a la posición neutral y se alinean);
la segunda vez que mantenga presionado (ambas aspas giran sincrónicamente);
la tercera vez que mantenga presionado (ambas aspas se detienen sincrónicamente).

2. Si las aspas izquierda y derecha del ventilador se detuvieron y ya están en la posición neutral:
la primera vez que mantenga presionado (ambas aspas giran sincrónicamente);
la segunda vez que mantenga presionado (ambas aspas se detienen sincrónicamente).

Oscilación de la aspa izquierda (arriba/abajo)

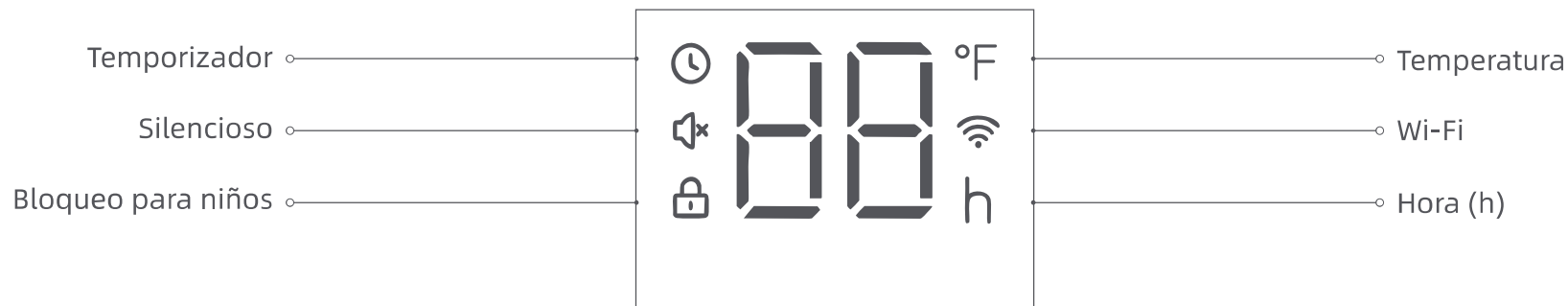
Presione el botón una vez para iniciar la oscilación. El aspa se moverá hacia arriba y hacia abajo repetidamente dentro de un rango de 0° a 90°. Presione de nuevo para detener en el ángulo actual.

Instrucciones de uso

Oscilación de la aspa derecha (arriba/abajo)

Presione el botón una vez para iniciar la oscilación. El aspa se moverá hacia arriba y hacia abajo repetidamente dentro de un rango de 0° a 90°. Presione de nuevo para detener en el ángulo actual.

Indicadores de pantalla



Funcionamiento de la aplicación

Nota: Para una configuración más rápida, asegúrese de que el Wi-Fi y el Bluetooth estén activados en su teléfono.

1. Descargue la aplicación

Escanee el código QR en el aparato o busque "Dreamehome" en su tienda de aplicaciones. Siga las instrucciones en pantalla para descargar e instalar la aplicación Dreamehome.

Nota:

- La conexión Wi-Fi solo es compatible con redes de 2.4 GHz.
- Debido a actualizaciones continuas de la aplicación, las operaciones reales pueden diferir ligeramente de las descripciones anteriores. Siga las indicaciones en la versión actual de la aplicación.

2. Entre en el Modo de configuración de red

Mantenga presionado el botón de encendido en el panel de control durante 5 segundos hasta que parpadee el indicador de "Wi-Fi". El aparato ahora está en modo de configuración de red.

3. Agregue el dispositivo

Abra la aplicación Dreamehome y toque "Escanear para conectar". Escanee de nuevo el código QR en el aparato para agregar el dispositivo y luego siga las instrucciones en la pantalla de la aplicación para completar la conexión.

Solución de problemas

1. Verificación de fallas

Consulte la siguiente tabla para conocer las fallas comunes y las soluciones recomendadas.

Falla	Causa posible	Solución
El panel de control no responde	Hay un problema de suministro de corriente o falla en el panel de control.	Verifique la conexión al suministro de corriente. Compruebe si aparece algún código de error en el panel.
Hay un ruido excesivo durante el funcionamiento	El aparato no está colocado sobre una superficie nivelada.	Asegúrese de que el aparato esté sobre una superficie nivelada.
El aparato funciona de forma normal, pero el flujo de aire es notablemente reducido	La salida de aire está bloqueada por algún objeto.	Reubique el aparato para asegurarse de que haya suficiente espacio libre.
La luz indicadora parpadea e indica una falla	Hay una falla en el motor o en el sensor.	Comuníquese con nuestro personal de servicio posventa para solicitar la reparación.
El aparato no se puede registrar o no puede conectarse a la red	Hay un problema de red o la plataforma de servicios en la nube está en mantenimiento.	Verifique su conexión de red local y asegúrese de que la conexión a Internet funcione, o inténtelo de nuevo después de que finalice el mantenimiento de la plataforma en la nube.

2. Soporte técnico

Si tiene un problema que no aparece en la lista anterior, comuníquese con nuestro personal de servicio posventa para solicitar la reparación.

Reemplazo del fusible

Para evitar el riesgo de incendio. Usar exclusivamente con un fusible de calibre 5 A.

A. Primero, desconectar el aparato. Agarrar el enchufe y sacarlo de la toma de corriente de la pared. No desconectar tirando del cable.

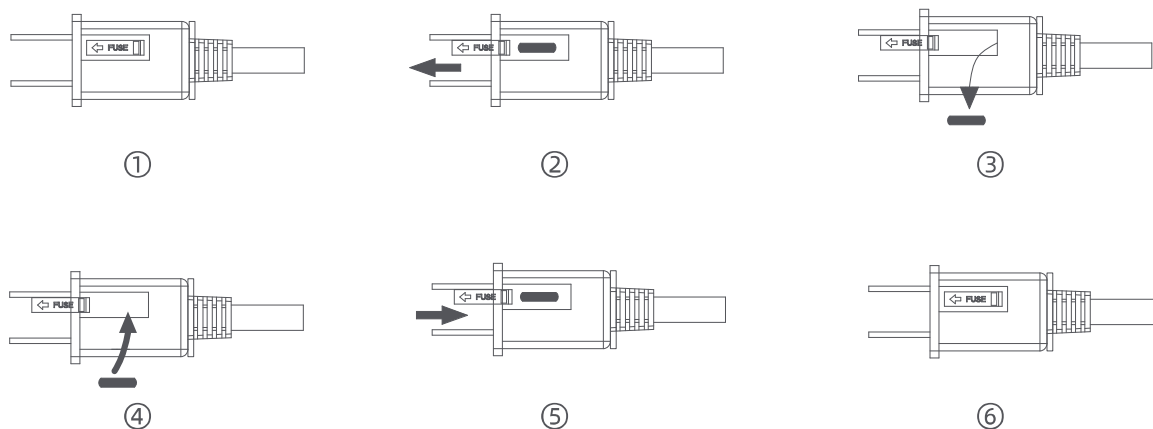
B. Abrir la tapa del fusible levantándola (ver fig. 1). Para acceder al fusible, deslizar la tapa del fusible ubicada en la parte superior del enchufe, hacia las clavijas del enchufe (ver fig. 2).

C. Extraer el fusible defectuoso desprendiéndolo con cuidado. Asegurarse de no romper el fusible (ver fig. 3).

D. Desenganchan el fusible de repuesto ubicado debajo de la tapa del fusible e insertarlo en el compartimento del enchufe (ver fig. 4).

E. Cerrar la tapa del fusible deslizándola hacia el cable del ventilador (ver fig. 5). La operación queda entonces finalizada (ver fig. 6).

Nota: No se recomienda a los no profesionales que reemplacen el fusible por su cuenta.



Especificaciones

Modelo	CVF22A	Volumen de aire	28 m ³ /min	Tensión nominal	120 V aprox.
Corriente nominal	0,8 a	Ruido	65 dB(A)	Frecuencia nominal	60 Hz

Los valores de ruido y volumen de aire se obtuvieron en un laboratorio externo conforme a la norma IEC 60879

Información sobre RAEE



Todos los productos que llevan este símbolo son residuos de aparatos eléctricos y electrónicos (RAEE según la directiva 2012/19/UE) y no deben mezclarse con residuos domésticos sin clasificar. En su lugar, debe proteger la salud humana y el medio ambiente entregando sus residuos de aparatos a un punto de recolección designado para el reciclaje de residuos de aparatos eléctricos y electrónicos, según lo dispuesto por el gobierno o las autoridades locales. La eliminación y el reciclaje correctos ayudarán a prevenir posibles consecuencias negativas para el medio ambiente y la salud humana. Comuníquese con el instalador o las autoridades locales para obtener más información sobre la ubicación y los términos y condiciones de estos puntos de recolección.