

Dreame Z20

Cordless Stick Vacuum

User Manual

DREAME

THANK YOU

FOR PURCHASING THIS DREAME VACUUM CLEANER.

Registration Quick Start

Welcome to register a Dreame account by scanning the QR code.

You are available for the User Manual and Special Offers.



With it you are obtaining a high quality product that is engineered for optimal performance. If you have any questions on the product, please contact us: support.us@dreame.tech.

EN	User Manual	1
FR	Manuel d'utilisation	22
ES	Manual de Usuario	43

Safety Information

IMPORTANT SAFETY INSTRUCTIONS

When using an electrical appliance, basic precautions should always be followed, including the following:

READ ALL INSTRUCTIONS BEFORE USING (THIS APPLIANCE). Failure to follow the warnings and instructions may result in electric shock, fire and/or serious injury.

WARNING – To reduce the risk of fire, electric shock, or injury:

- Do not use outdoors or on wet surfaces.
- Do not allow to be used as a toy. Close attention is necessary when used by or near children, pets or plants.
- Use only as described in this manual. Use only manufacturer's recommended attachments.
- Do not use with damaged cord or plug. If appliance is not working as it should, has been dropped, damaged, left outdoors, or dropped into water, return it to a service center.
- Do not pull or carry by cord, use cord as a handle, close a door on cord, or pull cord around sharp edges or corners.
- Do not run appliance over cord. Keep cord away from heated surfaces.
- Do not unplug by pulling on cord. To unplug, grasp the plug, not the cord.
- Do not handle charger, including charger plug, and charger terminals with wet hands Do not put any object into openings.
- Do not use with any opening blocked; keep free of dust, lint, hair, and anything that may reduce air flow.
- Keep hair, loose clothing, fingers, and all parts of body away from openings and moving parts.
- Use extra care when cleaning on stairs.
- Do not use to pick up flammable or combustible liquids, such as gasoline, or use in areas where they may be present.
- Do not pick up anything that is burning or smoking, such as cigarettes, matches, or hot ashes.
- Do not use without dust cup and/or filters in place.
- Prevent unintentional starting. Ensure the switch is in the off-position before connecting to battery pack, picking up or carrying the appliance. Carrying the appliance with your finger on the switch or energizing appliance that have the switch on invites accidents.
- Disconnect the battery pack from the appliance before making any adjustments, changing accessories, or storing appliance. Such

preventive safety measures reduce the risk of starting the appliance accidentally.

- Recharge only with the charger specified by the manufacturer. A charger that is suitable for one type of battery pack may create a risk of fire when used with another battery pack.
- Use appliances only with specifically designated battery packs. Use of any other battery packs may create a risk of injury and fire.
- When battery pack is not in use, keep it away from other metal objects, like paper clips, coins, keys, nails, screws or other small metal objects, that can make a connection from one terminal to another. Shorting the battery terminals together may cause burns or a fire.
- Under abusive conditions, liquid may be ejected from the battery; avoid contact. If contact accidentally occurs, flush with water. If liquid contacts eyes, additionally seek medical help. Liquid ejected from the battery may cause irritation or burns.
- Do not use a battery pack or appliance that is damaged or modified. Damaged or modified batteries may exhibit unpredictable behavior resulting in fire, explosion or risk of injury.
- Do not expose a battery pack or appliance to fire or excessive temperature. Exposure to fire or temperature above 130°C may cause explosion.
- Follow all charging instructions and do not charge the battery pack or appliance outside of the temperature range specified in the instructions. Charging improperly or at temperatures outside of the specified range may damage the battery and increase the risk of fire.
- Have servicing performed by a qualified repair person using only identical replacement parts. This will ensure that the safety of the product is maintained.
- Do not modify or attempt to repair the appliance or the battery pack except as indicated in the instructions for use and care.
- Do not use and store in extremely hot or cold environments (below 0°C/32°F or above 40°C/104°F). Please charge the cordless vacuum cleaner in temperature above 0°C/32°F and below 40°C/104°F.
- Always turn off this appliance before connecting or disconnecting motorized nozzle.
- Risk of injury. Brush may start unexpectedly. Keep the switch in off position before cleaning or servicing.

Caution:



This device complies with Part 15 of the FCC Rules / Innovation, Science and Economic Development Canada's licence-exempt RSS(s). Operation is subject to the following two conditions:

1. this device may not cause harmful interference.
2. this device must accept any interference received, including interference that may cause undesired operation.

- Changes or modifications not expressly approved by the party responsible for compliance could void the user's authority to operate the equipment.
This equipment has been tested and found to comply with the limits for a Class B digital device, pursuant to part 15 of the FCC Rules.
- These limits are designed to provide reasonable protection against harmful interference in a residential installation.
- This equipment generates uses and can radiate radio frequency energy and, if not installed and used in accordance with the instructions, may cause harmful interference to radio communications.
- However, there is no guarantee that interference will not occur in a particular installation.
- If this equipment does cause harmful interference to radio or television reception, which can be determined by turning the equipment off and on, the user is encouraged to try to correct the interference by one or more of the following.

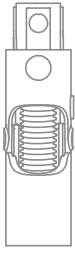
SAVE THESE INSTRUCTIONS

Household use only.

	Direct current
	Alternating current

Product Overview

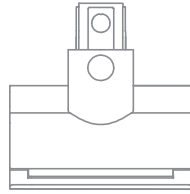
Accessories



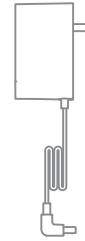
Flexible Adapter



Rotating Soft Dusting Brush



Motorized Mini-Brush



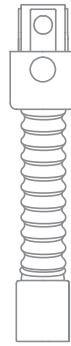
Charger



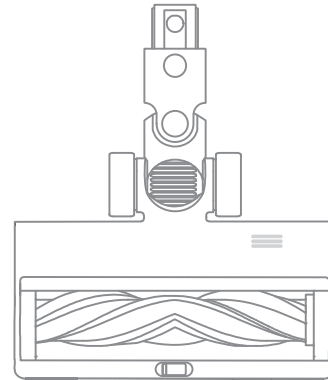
Extension Rod



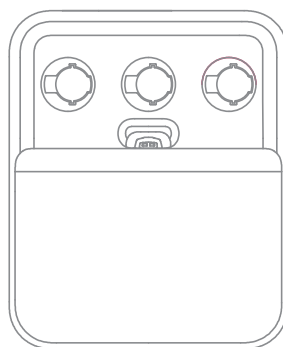
Combination Tool



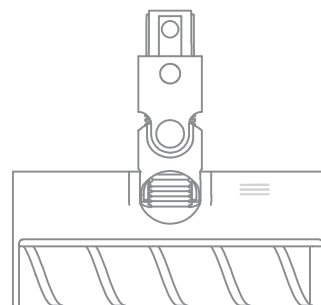
Extension Hose



Multi-Surface Brush



Accessory Storage Mount (Support Rod x1, Storage Mount x1)



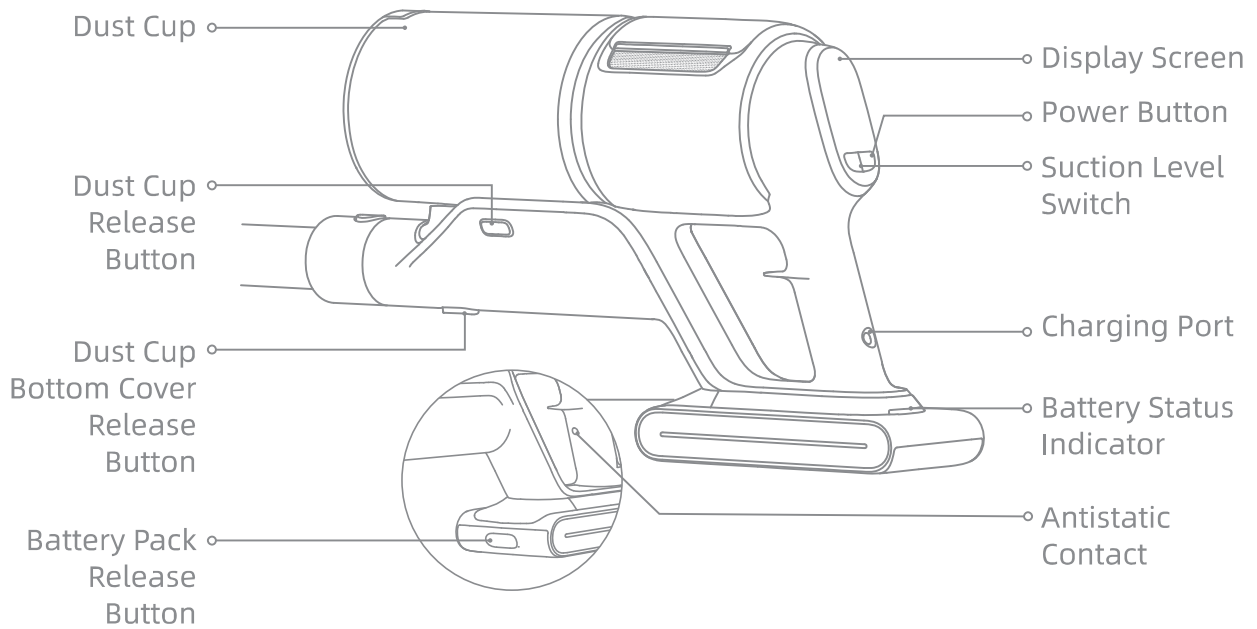
Illumination Soft Roller Brush

Note: The illustrations in this manual are indicative only. The actual product may differ.

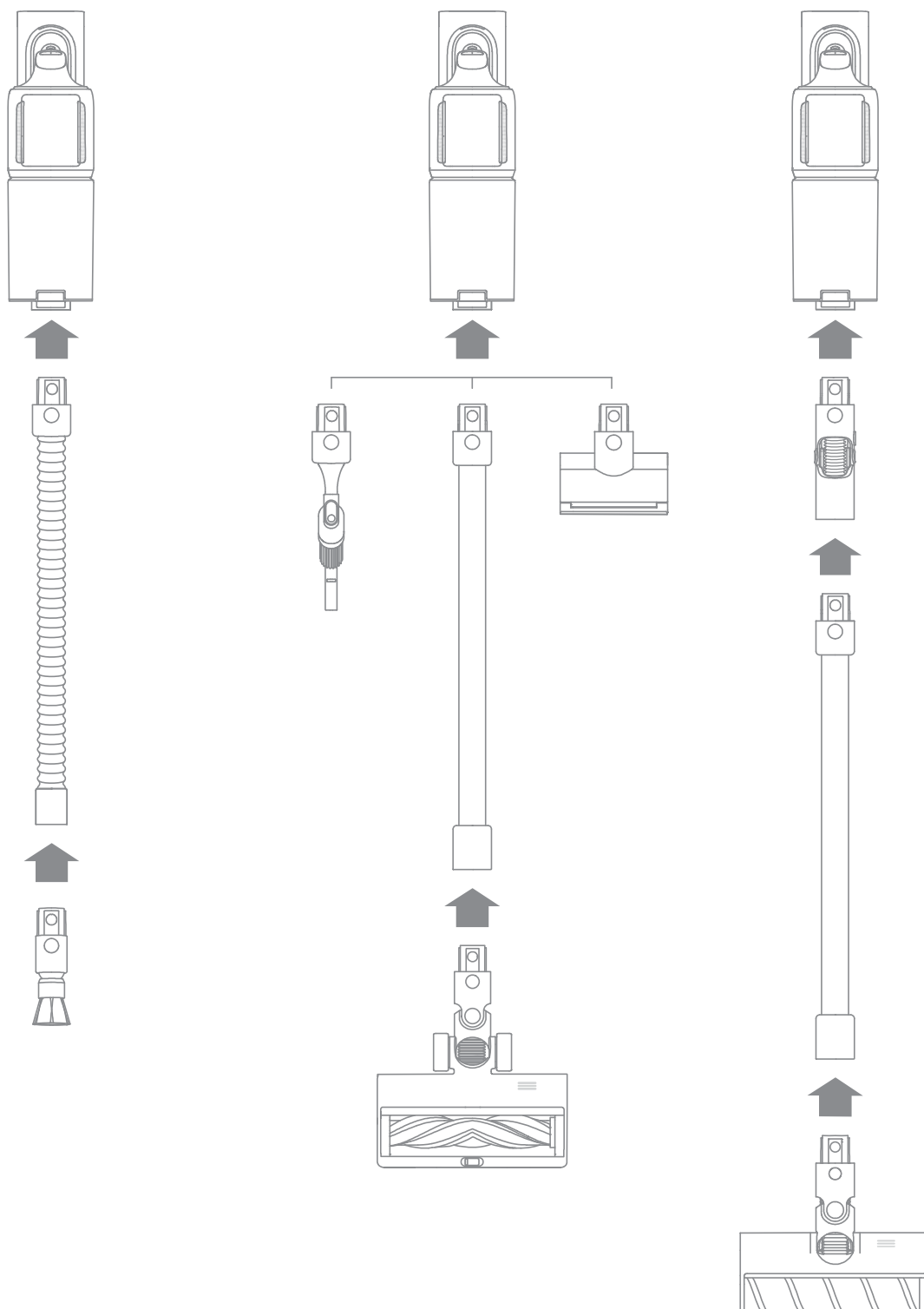
Product Overview

Component Names

Vacuum Body



Installing the Accessories



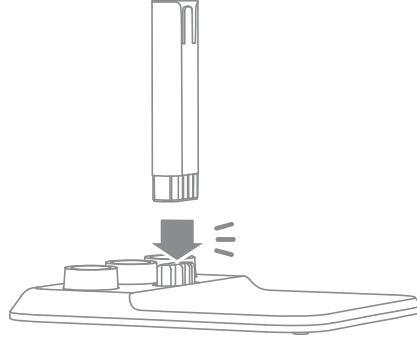
Note:

- It is not recommended to use the motorized mini-brush with the extension rod.
- Please install the accessories according to the actual cleaning needs.
- It is recommended to use the flexible adapter when cleaning the low-lying furniture and not recommended to be connected to the vacuum body all the time for daily floor cleaning.

Installation

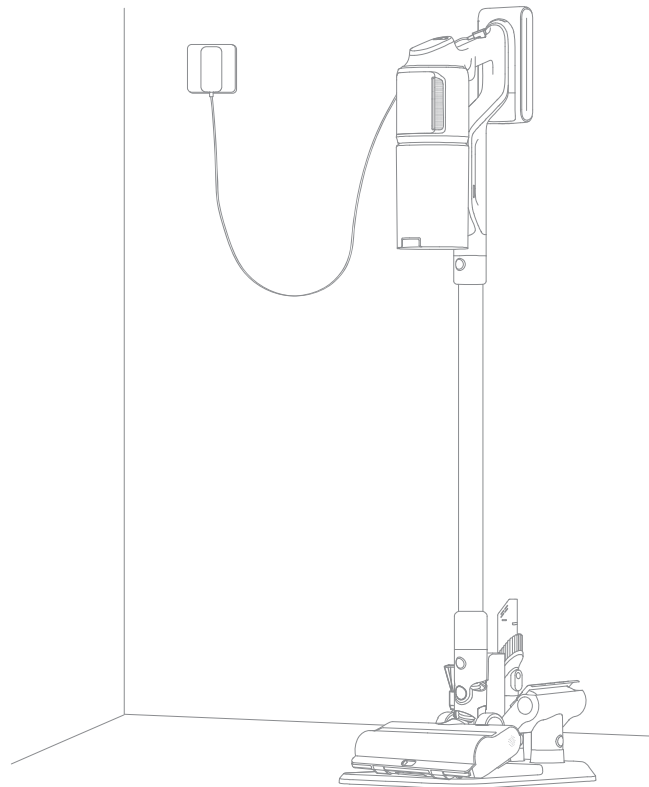
Installing the Accessory Storage Mount

Insert the support rod vertically into the storage mount until you hear a click.



Charging

Fully charge the vacuum before using it for the first time.



Note:

- The vacuum cannot be used while charging.
- When fully charged, the battery status indicator will turn off after 5 minutes and the vacuum will enter the power saving mode.
- This will take about 3.5 hours. Vacuuming at Turbo mode for a prolonged period will cause the battery to heat up, which increases charging time. Allow the vacuum to cool down for 30 minutes before charging it.

Charging

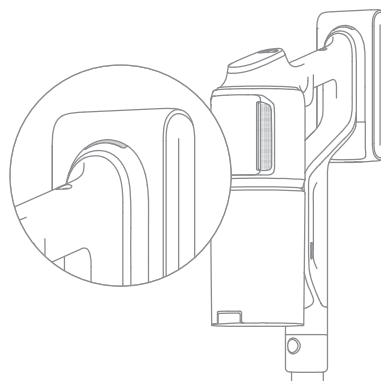
Battery Status Display

1. Battery Status Indicator

- ☀ Blinking white
- Solid white
- Off

Charging

- Fully charged
- ☀ Charging
- Standby Mode



2. Display Screen

The number on the display screen represents the current battery level in a percentage during charging. When the number becomes 100, the battery is fully charged.



How to Use

Display Screen

Dirty Level Indicator
The color changes with the amount of dust in real time (only in Auto Mode).

Particulate Matter Amount Indicator

Suction Level
 🍃 Eco
 ⚡ Auto
 🔥 Turbo

Suction Level Switch
Press briefly to switch between eco, auto and turbo mode.



Particulate Matter Types
 > 10µm (eg. pollen)
 > 50µm (eg. hair)
 > 200µm (eg. dust)
 > 500µm (eg. mite)

Battery Level Percentage
When the display screen shows "LO", it indicates that the battery level is lower than 10%.


Power Button
Press briefly to turn on/off

How to Use

Settings

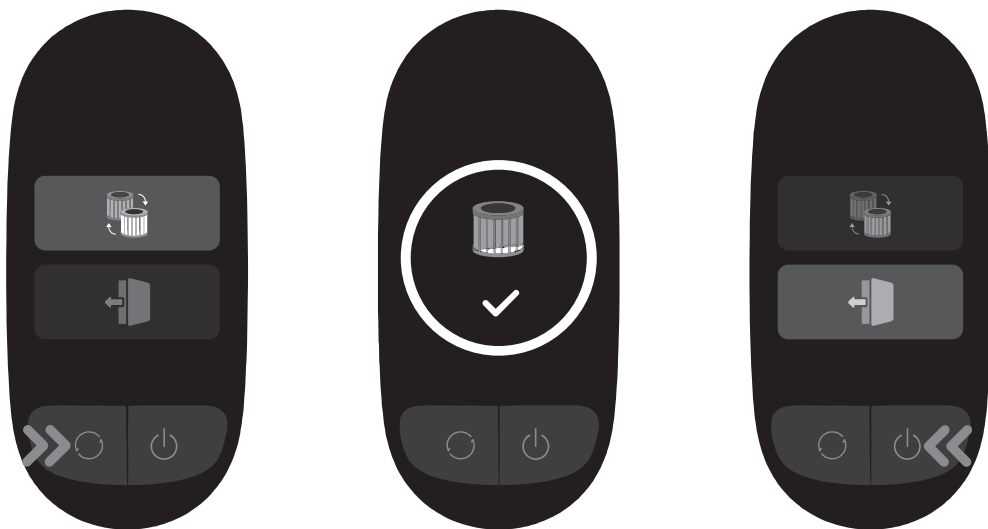
In the standby state, press and hold the suction level switch  for 3 seconds to enter the setting interface. Briefly press the switch button  to select an option, and press and hold  for 3 seconds to confirm.

Reset Filter

Press and hold the suction level switch  for 3 seconds to select resetting filter and the filter will automatically complete the reset.

Exit

Press the power button  when it is in the setting interface to return to the main interface directly, or select , then press and hold  for 3 seconds to return to the main interface.






Note:

- If there is no operation for more than 15 seconds, the screen will turn off, and it will return to the main interface when lit up again.
- If the vacuum is not working properly, the screen display will show an error message. Please refer to the troubleshooting table to find your solution.

How to Use

Starting Cleaning

Press the power button  to start operating. After the vacuuming is completed, press the  button and the amount of various particle matters vacuumed will show on the screen. Press the button  to switch levels between auto, eco and turbo and the corresponding icon will show on the screen.



Note:

- When any cleaning mode stops running, the vacuum cleaner will default to auto mode when it is started again. Factory default setting is the auto mode.
- Only when running in auto mode, the suction power and the color of the dirty level indicator change with the amount of particulate matter in real time.

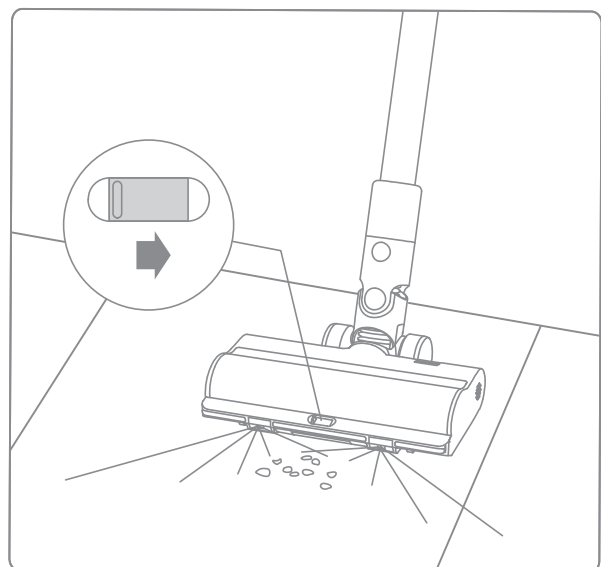
Using Different Accessories

Multi-Surface Brush

When the appliance starts, the lights in front of the brush roller will automatically turn on, which is convenient for use.

When using on baby play mats, carpets or for vacuuming coffee beans, pop corn and other pellets, turn on the switch on the brush.

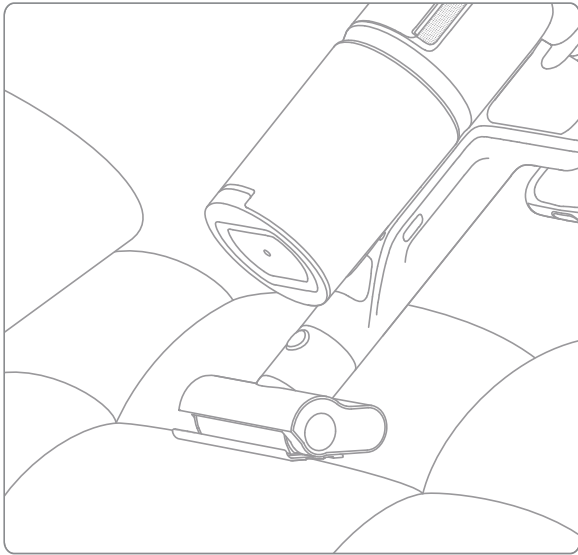
When vacuuming on tiles, wooden floors or other hard surfaces, turn off the switch.



How to Use

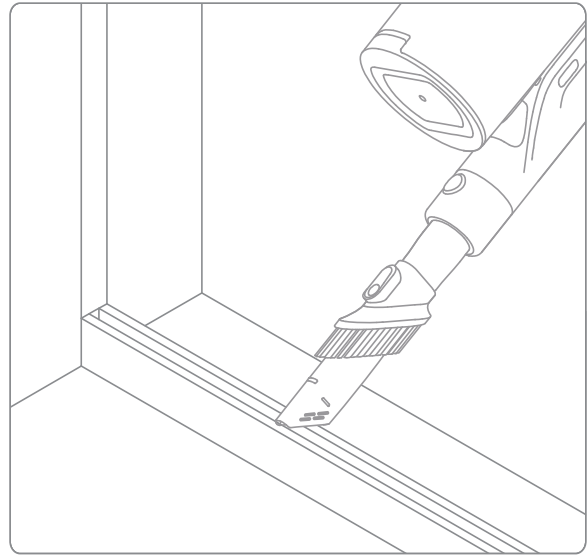
Motorized Mini-Brush

For vacuuming dirt, pet hair, and other stubborn debris from sofas, bedding, and other fabric surfaces. It is not recommended to vacuum on fragile surfaces, such as silk.



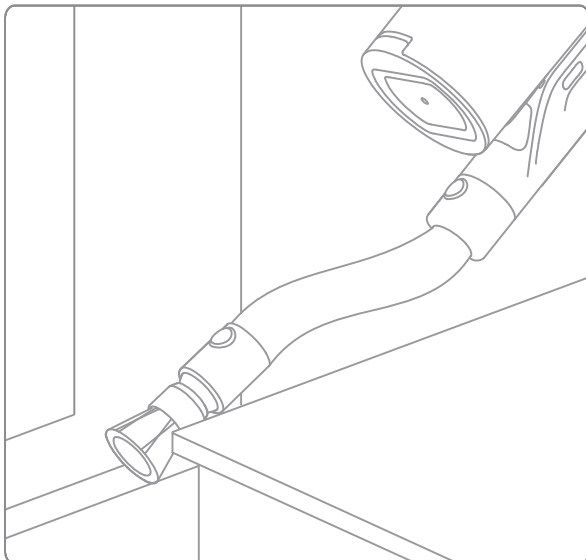
Combination Tool

Suitable for vacuuming cracks, corners of doors and windows, stairs, and other hard-to-reach places.



Rotating Soft Dusting Brush

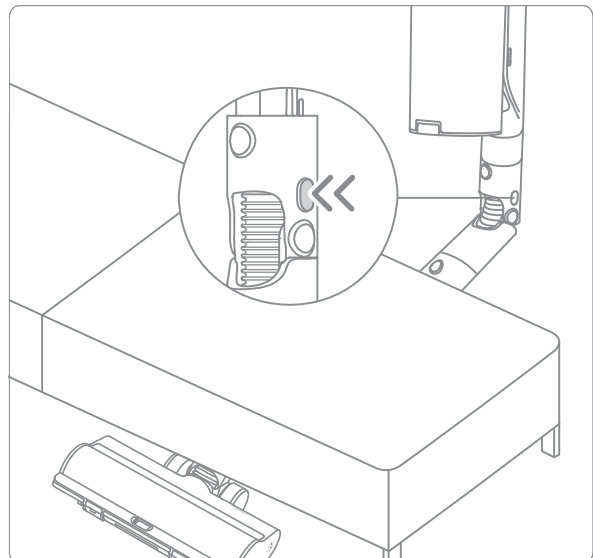
It can be connected to the extension hose. With a rotatable head, it is suitable for cleaning delicate and fragile surfaces and corners such as glass, displays and keyboards.



Flexible Adapter

Bending and extending the rod with one click can easily reach under low-lying furniture, such as bed and sofa.

Note: It is recommended to use the flexible adapter when cleaning the low-lying furniture and not recommended to be connected to the vacuum body all the time for daily floor cleaning.



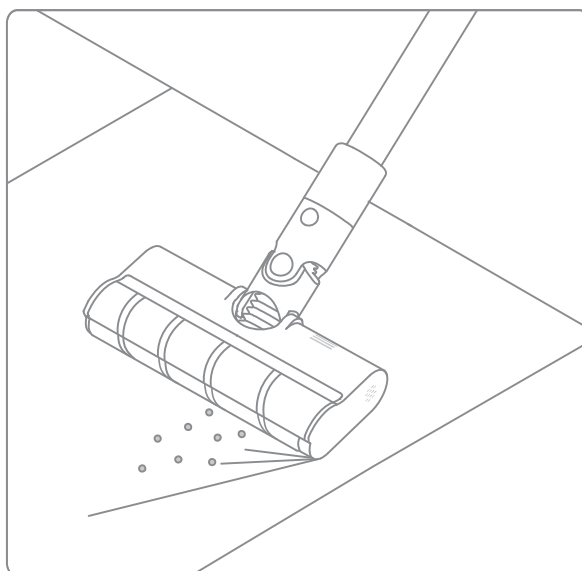
How to Use

Illumination Soft Roller Brush

Suitable for cleaning hard floors, such as marbles and tiles.

Note:

When the appliance starts, the side light of the brush will automatically turn on, which is convenient for use.



Note:

- If any rotating part becomes stuck, the vacuum may shut off automatically. Remove any trapped foreign objects, then resume use.
- When the battery becomes overheated, the vacuum will automatically shut off. Wait until the battery temperature returns to normal, then resume use.

Care & Maintenance

Tips:

- Always use genuine parts to keep your warranty from being void.
- If the filter or nozzle becomes clogged, the vacuum will stop working shortly after being turned on. Clear the tube to restore functionality.
- Before cleaning the dust cup, please confirm that the plug is disconnected and keep the vacuum's power button in the off position.
- If the vacuum is not used for an extended period, fully charge it, unplug the power cord, remove the battery, and store it in a cool, low-humidity environment away from direct sunlight. To avoid over-discharging the battery, recharge the battery at least once every three months.

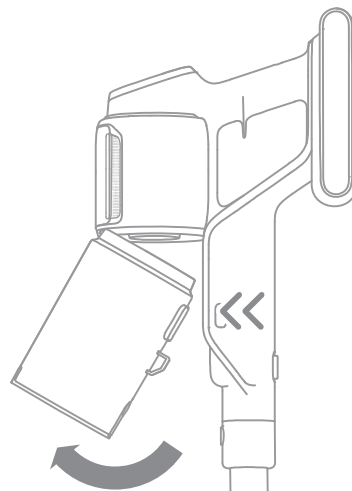
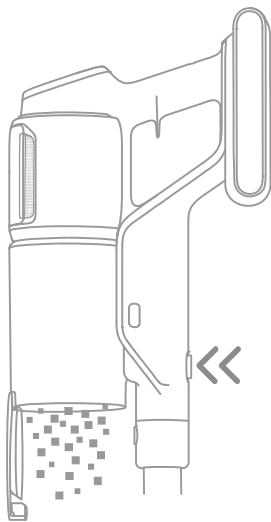
Cleaning the Vacuum

Wipe the vacuum with a soft dry cloth.

Cleaning the Dust Cup, Pre-Filter, and Cyclone Assembly

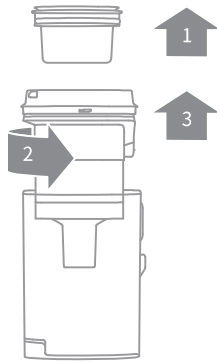
1. Press the dust cup bottom cover release button, then empty the contents.

2. Press the dust cup release button and remove it from the vacuum.

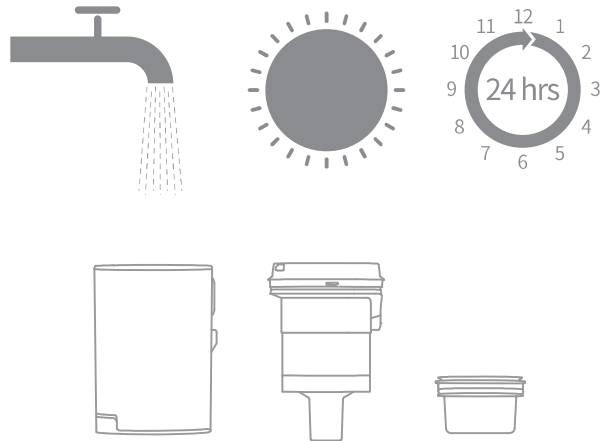


Care & Maintenance

3. Remove the pre-filter first, and then rotate the cyclone system to lift it out.



4. Rinse the cyclone assembly, pre-filter, and dust cup until they are clean. After washing, air dry for at least 24 hours.

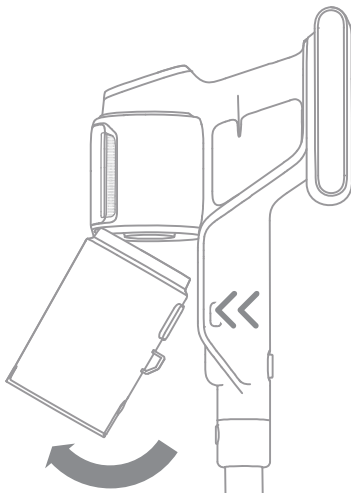


Note:

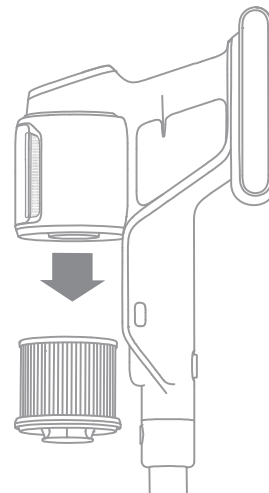
- Please clean the dust cup as needed.
- It is recommended to clean the cyclone system and pre-filter at least once every 3 to 4 months.

Cleaning the Filter

1. Remove the dust cup as shown in the figure.



2. Remove the filter from the vacuum by pulling it down in the direction shown in the figure.

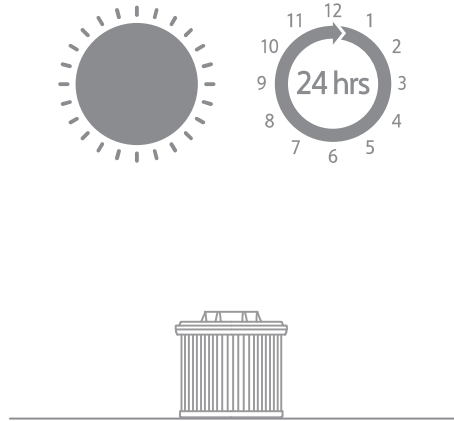


Care & Maintenance

3. Rinse the filter with rotating it 360°. Lightly tap the filter several times to remove any debris caught in it.



4. Allow the filter to air dry for 24 hours.

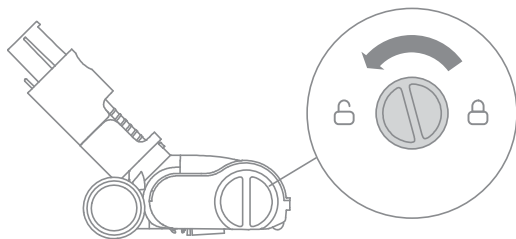


Note:

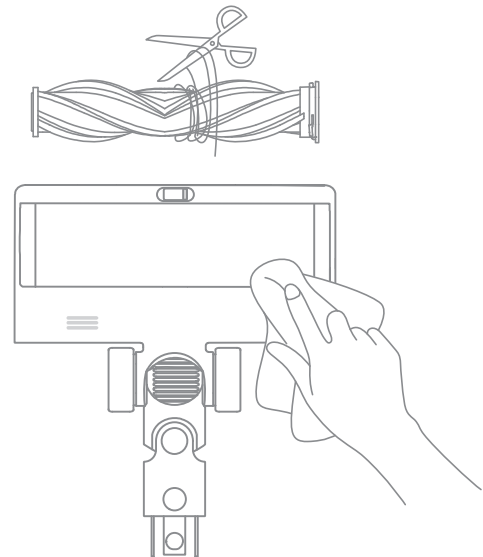
- Only use clean water to wash the filter.
- Do not use detergent.
- Do not attempt to clean the filter with a brush or finger.
- It is recommended to clean the filter once every 4 to 6 months.

Cleaning the Multi-Surface Brush

1. Turn the lock counterclockwise until it stops, then remove the roller from the roller brush.



2. Use scissors to cut off the hairs and fibers that get stuck on the brush roller. Wipe the dust from the notch and transparent cover with a dry cloth or paper towel. Thoroughly dry before use.

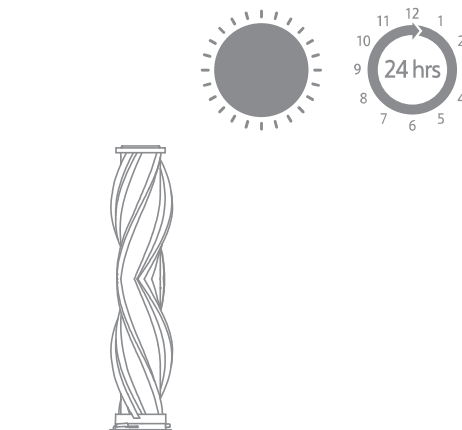


Care & Maintenance

3. When it is dirty, rinse the brush roller with clean water until it is clean.

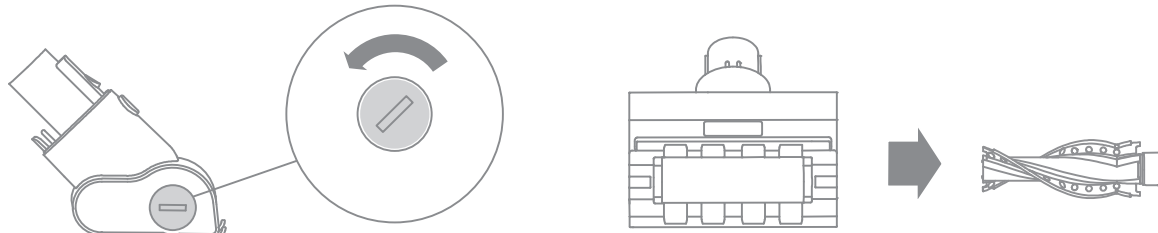


4. Stand the brush roller upright for at least 24 hours until it is fully dry.

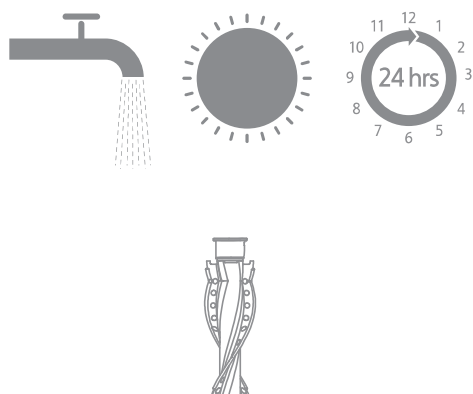


Cleaning the Motorized Mini-Brush

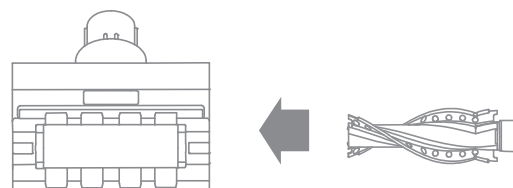
1. Use a coin as illustrated to rotate the lock counterclockwise until you hear a click. After unlocking the motorized mini-brush, remove the brush roller.



2. Rinse and clean the brush roller. Stand the brush roller upright in a well-ventilated area for at least 24 hours until it is fully dry.



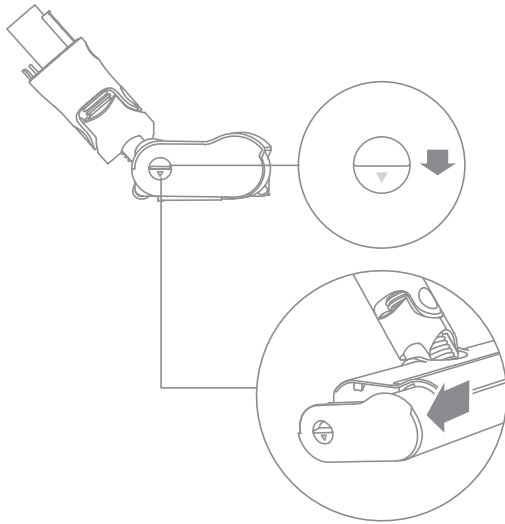
3. Once the brush roller is dry, reinstall it by following the disassembly steps in reverse.



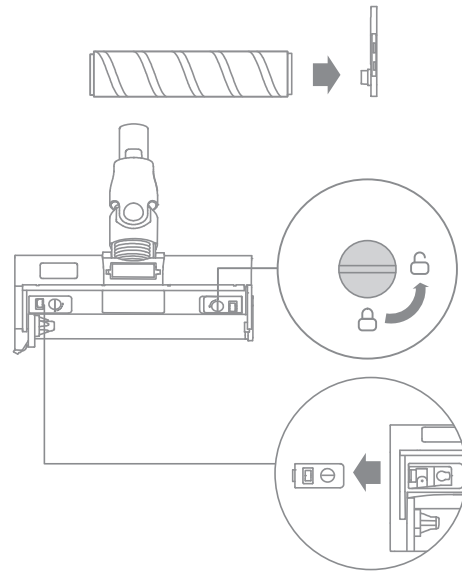
Care & Maintenance

Cleaning the Illumination Soft Roller Brush

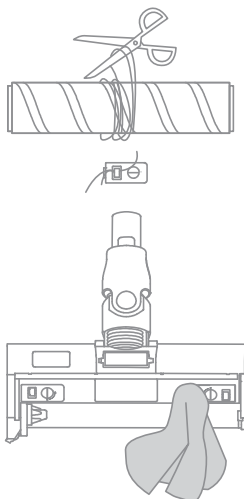
1. As shown in the picture, press the brush roller release button to remove the roller from the slot.



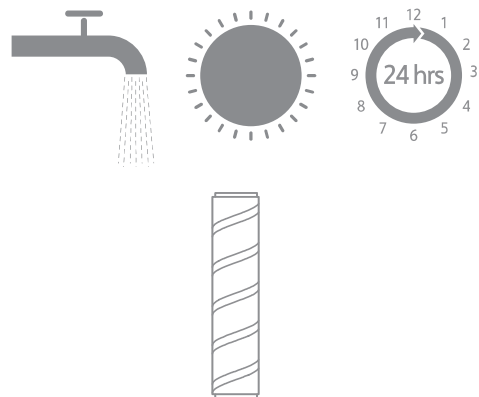
2. Separate the roller from the side cover. Turn the small wheel release buttons counterclockwise to remove the wheels.



3. Use scissors to cut off the hairs and fibers that get stuck on the brush roller and the wheels. Wipe the dust from the notch and transparent cover with a dry cloth or paper towel. Thoroughly dry before use.



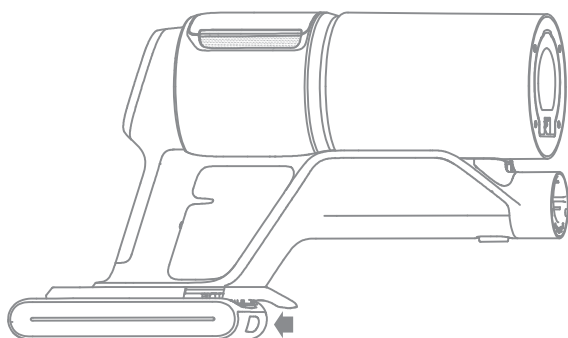
4. When it is dirty, rinse the brush roller with clean water until it is clean. Then stand the brush roller upright for at least 24 hours until it is fully dry.



Replacing the Battery Pack

The vacuum contains a removable rechargeable lithium-ion battery pack which has a limited number of recharge cycles. After extended use, the battery pack may no longer hold a charge. If this happens, it means the battery pack has reached the end of its life cycle and needs to be replaced.

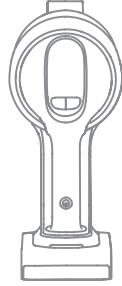
1. Press down the battery pack release button and slide the battery pack to the right to remove it.
2. Install the new battery pack.



If the vacuum is not working properly, please refer to the table below.









Errors	Possible Causes	Solutions
The vacuum does not work.	The appliance is out of battery or its battery level is low.	Fully charge the vacuum, then resume use.
	Overheat protection mode triggered by a blockage.	Clean the suction opening or air duct. Wait until the vacuum cools down, then reactivate it.
	The suction opening or air duct is blocked.	Clear any blockage from the suction opening or air duct.
Weak suction force.	The dust cup is full and/or filter assembly is clogged.	Empty the dust cup and/or clean the filter assembly.
	An attachment is blocked.	Clear any blockage in the attachment.
The motor makes a strange noise.	Main suction opening or extension rod is blocked.	Clear any blockage in the main suction opening or extension rod.
The battery indicator does not light up when charging.	The charger does not plug into the vacuum well.	Check whether the charger is properly plugged into the vacuum.
	The battery is charged and switches to Sleep Mode automatically.	The vacuum runs normally.
	If the problem persists after ruling out the above two possibilities, please contact the after-sales service department for maintenance.	
Charging too slow.	The battery temperature is too low or too high.	Wait until the battery temperature returns normal, and then recharge.
The LED lights of the multi-surface brush and the illumination soft roller brush do not work.	LED lights are damaged.	Please contact the after-sales department for maintenance.

Battery Status Indicator

Status	Possible Causes	Solutions	
The indicator is red after turning on the vacuum.	Battery pack is damaged.	Please contact the after-sales department for maintenance.	
The indicator blinks red quickly when charging the vacuum.	The charger is incompatible.	Only use the original charger to charge the vacuum.	
The indicator blinks white when using the vacuum.	Out of Battery.	Please charge in time.	

Troubleshooting

If the vacuum is not working properly, the screen display will show an error message. Please refer to the troubleshooting table to find your solution.

Error Icon	Error Message	Solutions
	Low battery	Please charge in time.
	Out of Battery	Please charge in time.
	Battery temperature is too high	Wait until the battery's temperature returns normal, then resume use.
	Air duct blocked	Check whether the dust cup, extension rod, multi-surface brush, illumination soft roller brush or motorized mini-brush is blocked.
	Brush roller stuck	Refer to the [Cleaning the Multi-Surface Brush] section to clean the debris and hair tangled on the brush roller.
	Filter is expiring	Please replace the filter in time.
	Replace the filter	After replacing the filter, please refer to the [Settings] to reset filter.
	Error	Please contact the after-sales department for maintenance.

Specifications

Vacuum Cleaner			
Model	VZV16A	Rated Power	715 W
Charging Voltage	34 V DC	Rated Voltage	29.6 V DC
Charging Time	approximately 3.5 hours		
Multi-Surface Brush		Motorized Mini-Brush	
Model	VMBZ	Model	VMMY
Rated Power	40 W	Rated Power	20 W
Rated Voltage	25.2 V DC	Rated Voltage	24 V DC
Illumination Soft Roller Brush			
Model	VBRW	Rated Power	40 W
Rated Voltage		25.2 V DC	
Charger			
Model	ZD024M340090US		
Input	100V-240 V \sim 50/60 Hz 0.8 A		
Output	34 V DC 0.9 A		
Rechargeable Lithium-Ion Battery Pack			
Model	V2405-8S1P-GYA	Nominal Voltage	29.6 V DC
Rated Capacity	2700 mAh	Nominal Capacity	2850 mAh
Energy	79.92 Wh		

The lithium-ion battery pack contains substances that are hazardous to the environment. Before disposing of the vacuum, please remove the battery pack, then discard or recycle it in accordance with local laws and regulations of the country or region it is used in.

Consignes de sécurité

IMPORTANTES MESURES DE SÉCURITÉ

L'utilisation d'un appareil électrique demande certaines précautions:

LIRE TOUTES LES INSTRUCTIONS AVANT DE FAIRE FONCTIONNER (CETAPPAREIL). Le non-respect des mises en garde et des instructions peut causer des chocs électriques, des incendies et/ou des blessures graves.

AVERTISSEMENT - Pour réduire les risques d'incendie, de choc électrique ou de blessure:

- Ne pas exposer à la pluie, Ranger à l'intérieur.
- Ne pas permettre aux enfants de jouer avec l'appareil. Une attention particulière est nécessaire lorsque l'appareil est utilisé par des enfants ou à proximité de ces derniers.
- N'utiliser que conformément à cette notice avec les accessoires recommandés par le fabricant.
- Ne pas utiliser si le cordon ou la fiche est endommagé. Retourner l'appareil à un atelier de réparation s'il ne fonctionne pas bien, s'il est tombé ou s'il a été endommagé, oublié à l'extérieur ou immergé.
- Ne pas tirer soulever ni trainer l'appareil par le cordon. Ne pas utiliser le cordon comme une poignée, le coincer dans l'embrasure d'une porte ou l'appuyer contre des arêtes vives ou des coins. Ne pas faire rouler l'appareil sur le cordon. Garder le cordon à l'écart des surfaces chaudes.
- Ne pas débrancher en tyrant sur le cordon. Tirer plutôt la fiche.
- Ne pas manipuler le chargeur, y compris la prise du chargeur, et les bornes du chargeur avec les mains mouillées.
- N'insérer aucun objet dans les ouvertures. Ne pas utiliser l'appareil lorsqu'une ouverture est bloquée. S'assurer que de la poussière, de la peluche, des cheveux ou d'autres matières ne réduisent pas le débit d'air.
- Maintenir les cheveux, les vêtements amples, les doigts et toutes les parties du corps à l'écart des ouvertures et des pièces mobiles.

- User de prudence lors du nettoyage des escaliers.
- Ne pas aspirer des liquids inflammables ou combustibles, comme de l'essence, et ne pas faire fonctionner dans des endroits où peuvent se trouver de tells liquides.
- Ne pas aspirer de matières en combustion ou qui dégagent de la fumée, comme des cigarettes, des allumettes ou des cendres chaudes.
- Ne pas utiliser l'appareil si le sac à poussière ou le filter n'est pas en place.
- Emêcher une mise en marche accidentelle. S'assurer que l'interrupteur est à la position arrêt avant de raccorder la batterie, de lever ou de déplacer l'appareil. Transporter l'appareil en gardant un doigt sur l'interrupteur, ou mettre sous tension un appareil dont l'interrupteur est à la position marche peut causer un accident.
- Retirer la batterie de l'appareil avant d'effectuer des réglages, changer les accessoires ou ranger l'appareil. Ces mesures de sécurité ont pour but d'éviter une mise en marche accidentelle de l'appareil.
- Recharger uniquement avec le chargeur prescrit par le fabricant. Un chargeur convenant à un type de batterie peut présenter un risque d'incendie lorsqu'il est utilisé avec une autre batterie.
- Utiliser uniquement les batteries recommandées pour l'appareil. L'utilisation d'autres types de batteries peut présenter un risque de blessure ou d'incendie.
- Lorsque l'appareil n'est pas utilisé, tenir la batterie loin d'objets métalliques comme des trombones, des pièces de monnaie, des clés, des clous, des vis ou autres petits objets qui pourraient établir une liaison entre les bornes. Un courtcircuit des bornes des batteries peut causer des brûlures ou un incendie.
- En condition d'usage abusif, du liquide peut s'échapper de la batterie ; éviter tout contact avec ce liquide. En cas de contact accidentel, rincer abondamment avec de l'eau. En cas de contact avec les yeux, consulter également un médecin. Le liquide projeté peut causer des irritations ou des brûlures.
- Ne pas utiliser une batterie ou un appareil endommagé ou qui a été modifié. Des batteries endommagées ou modifiées peuvent avoir un comportement imprévisible pouvant causer un incendie, une explosion ou un risque de blessure.
- Ne pas exposer une batterie ou un appareil à la flamme ou à des températures excessives. L'exposition à une flamme ou à des températures supérieures à 130°C peut causer une explosion.

- Respecter toutes les instructions de chargement et ne pas charger la batterie ou l'appareil à des températures qui ne sont pas incluses dans la gamme de températures indiquées dans la notice d'instructions. Un chargement mal effectué.
- Confier les réparations à une personne qualifiée qui utilisera uniquement des pièces de remplacement identiques. Cette façon de faire garantira la sécurité du produit.
- Ne pas modifier ni tenter de réparer l'appareil ou la batterie sauf comme il est indiqué dans les instructions d'utilisation et d'entretien.
- Ne pas l'utiliser ni le stocker dans des environnements extrêmement chauds ou froids (en dessous de 0°C/32°F ou au-dessus de 40°C/104°F). Veuillez charger l'aspirateur sans fil dans des températures supérieures à 0°C/32°F et inférieures à 40°C/104°F.
- Éteignez toujours l'appareil avant de brancher ou de débrancher la buse motorisée
- Risque de blessure. La brosse peut démarrer de façon inattendue. Maintenez l'interrupteur en position d'arrêt avant de procéder au nettoyage ou à l'entretien.

Attention:

L'émetteur/récepteur exempt de licence contenu dans le présent appareil est conforme aux CNR d'Innovation, Sciences et Développement économique Canada applicables aux appareils radio exempts de licence.

L'exploitation est autorisée aux deux conditions suivantes :

1. L'appareil ne doit pas produire de brouillage;
2. L'appareil doit accepter tout brouillage radioélectrique subi, même si le brouillage est susceptible d'en compromettre le fonctionnement.

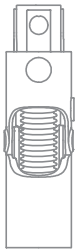
CONSERVER CES INSTRUCTIONS

Usage Domestique seulement.

— — —	Courant continu
~	Courant alternatif

Présentation du produit

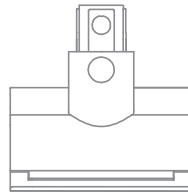
Liste des accessoires



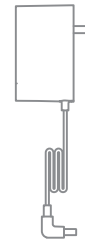
Adaptateur flexible



Brosse rotative souple à épousseter



Mini-brosse motorisée



Chargeur



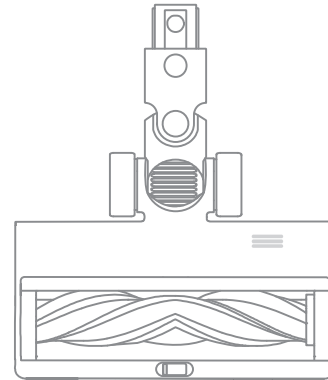
Tige de rallonge



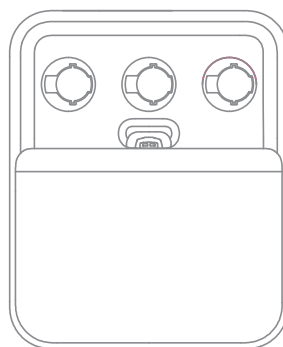
Outil combiné



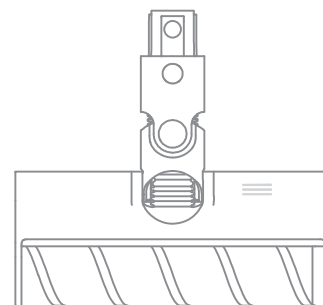
Tuyau d'extension



Brosse multi-surfaces



Support de rangement des accessoires
(Tige de support x 1 et support de rangement x 1)



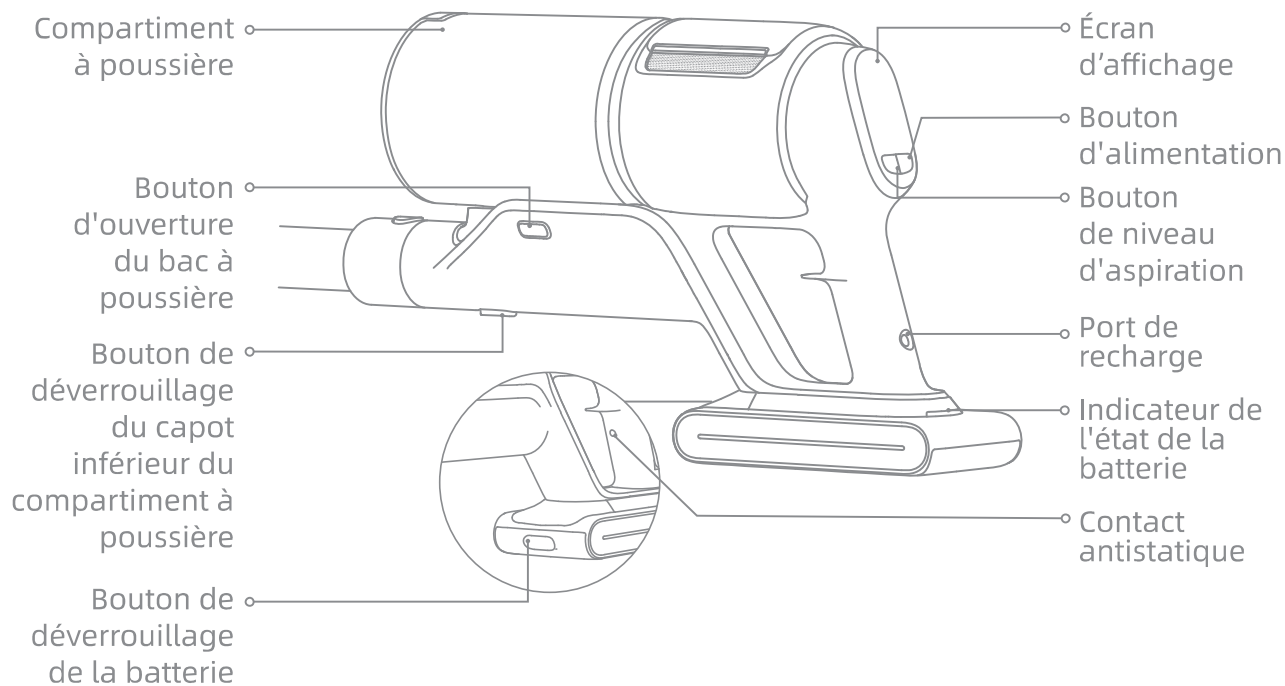
Éclairage de rouleau-brosse souple

Rappel : Photo non contractuelle, veuillez vous référer aux objets concrets.

Présentation du produit

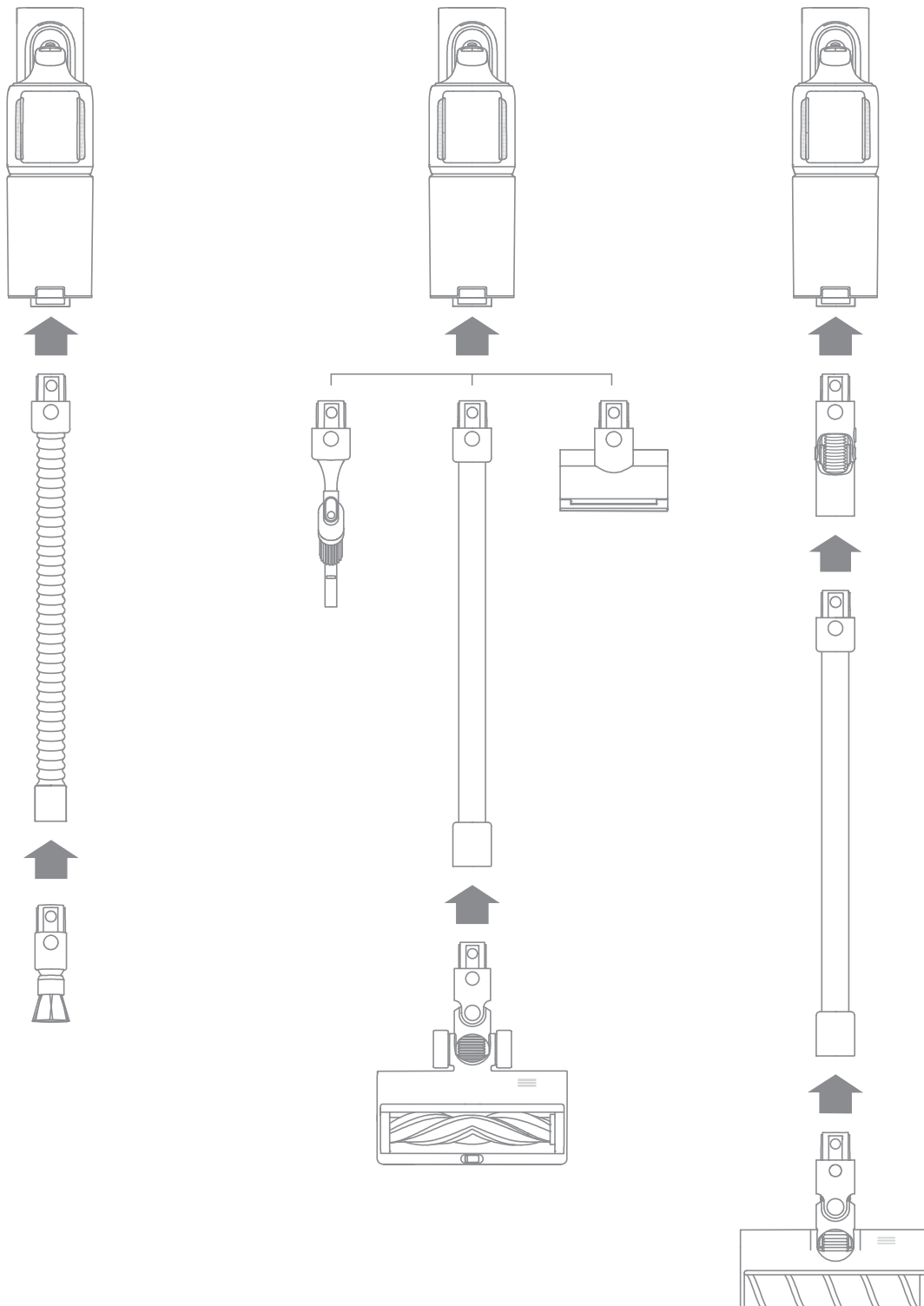
Nom du composant

Corps de l'aspirateur



Procédure d'installation

Installer les accessoires



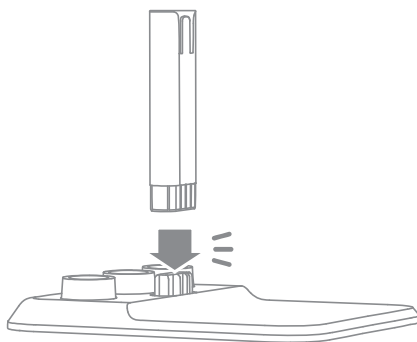
Remarque :

- Il n'est pas recommandé d'utiliser la mini-brosse motorisée avec le tube d'extension.
- Installez les accessoires en fonction des besoins réels de nettoyage.
- Il est recommandé d'utiliser un adaptateur flexible lorsque vous aspirez sous des meubles bas et il n'est pas recommandé de le connecter au corps de l'aspirateur tout le temps pour le nettoyage quotidien des planchers.

Procédure d'installation

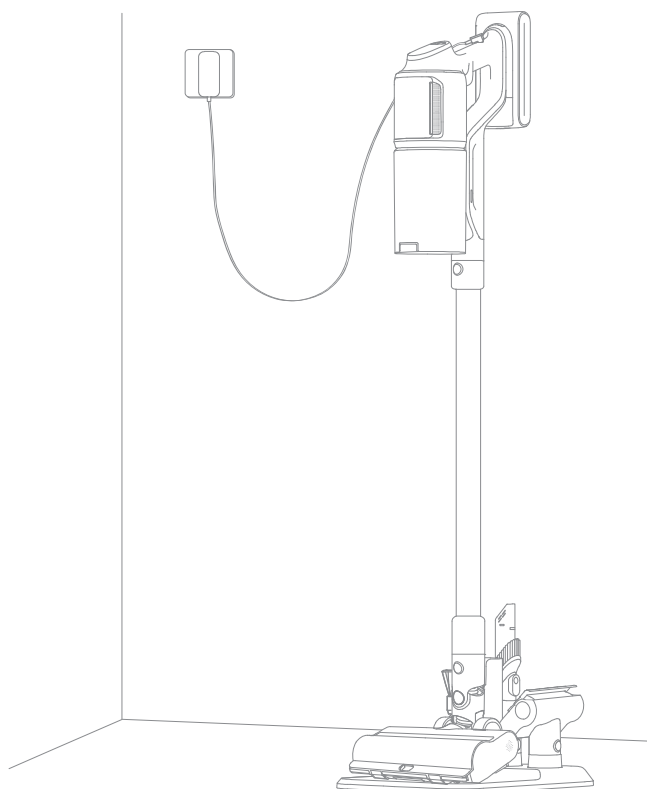
Installez le support de rangement des accessoires

Insérez la tige soutien verticalement dans le support de rangement jusqu'à ce qu'un déclic se fasse entendre.



Recharge

Chargez entièrement la batterie de l'aspirateur avant la première utilisation.



Remarque :

- L'aspirateur ne peut pas être utilisé pendant la charge.
- Lorsqu'elle est complètement chargée, le voyant de l'état de la batterie s'éteindra après 5 minutes et l'aspirateur passera en mode d'économie d'énergie.
- Cela prendra environ 3,5 heures. L'aspiration en mode Turbo pendant une période prolongée peut entraîner la surchauffe de la batterie, ce qui augmente le temps de charge. Laissez l'aspirateur refroidir pendant 30 minutes avant de le charger.

Recharge

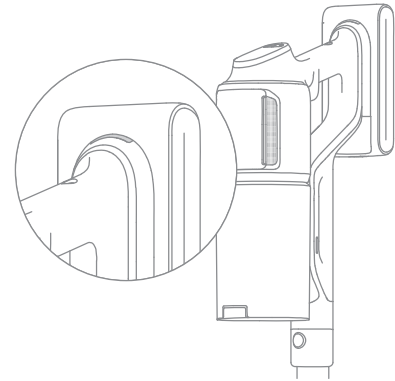
Affichage de l'état de la batterie

1. Indicateur de l'état de la batterie

- ☀ Blanc clignotant
- Blanc fixe
- Arrêt

Recharge

- Entièrement chargée
- ☀ Recharge
- Mode veille



2. Écran d'affichage

Le nombre figurant sur l'écran d'affichage représente le niveau de batterie actuel en pourcentage pendant la charge. Lorsque ce nombre atteint 100, la batterie est complètement chargée.



Mode d'utilisation

Écran d'affichage

Indicateur de niveau La couleur change en fonction de la quantité de saleté en temps réel (uniquement en mode automatique).

Indicateur de niveau de particules

Niveau d'aspiration
 Éco
 Auto
 Turbo

Bouton de niveau d'aspiration

Appuyez brièvement pour passer du mode éco au mode auto et au mode turbo.



Types de particules

- > 10 μm (ex. pollen)
- > 50 μm (ex. cheveux)
- > 200 μm (ex. poussière)
- > 500 μm (ex : acariens)

Pourcentage de charge de la batterie

Lorsque l'écran affiche « LO », cela indique que la charge de batterie est inférieure à 10 %.

Bouton d'alimentation
 Press briefly to turn on/off

Mode d'utilisation




Réglages

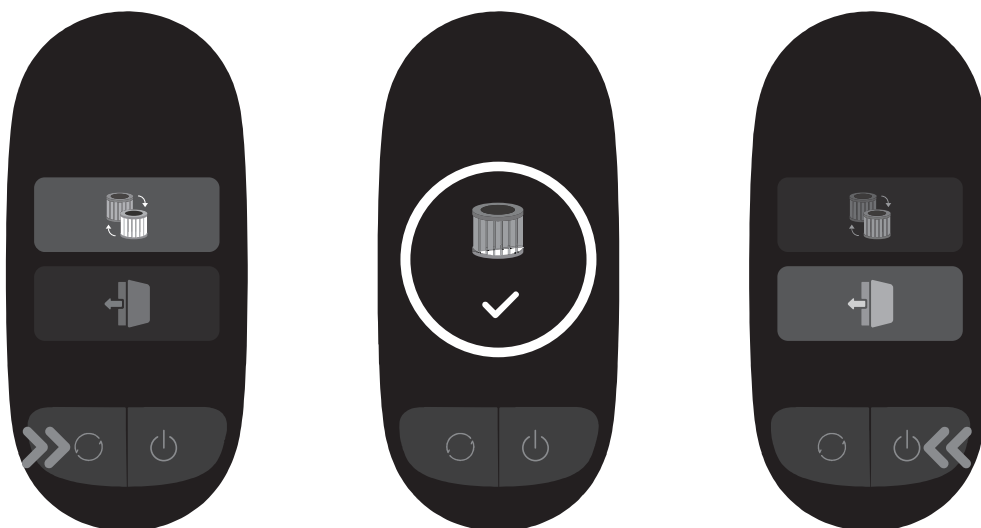
En mode veille, appuyez et maintenez le bouton de niveau d'aspiration enfoncé  pendant 3 secondes pour accéder à l'interface des paramètres. Appuyez brièvement  pour sélectionner une option et appuyez et maintenez enfoncé  pendant 3 secondes pour confirmer.

Réinitialiser le filtre

Appuyez et maintenez le bouton de niveau d'aspiration enfoncé  pendant 3 secondes pour sélectionner la réinitialisation du filtre et le filtre sera initialisé automatiquement.

Quitter

Appuyez sur le bouton d'alimentation  quand vous êtes dans l'interface des paramètres pour revenir à l'écran principal directement, ou sélectionnez , puis appuyez et maintenez le bouton de niveau d'aspiration enfoncé  pendant 3 secondes pour revenir à l'écran principal.






Remarque :

- Sans action pendant plus de 15 secondes, l'écran s'éteindra, et l'écran d'accueil apparaîtra lorsqu'il sera réactivé.
- Si l'aspirateur ne fonctionne pas correctement, l'écran affiche un message d'erreur. Veuillez vous référer au tableau de dépannage pour trouver votre solution.

Mode d'utilisation

Démarrer le nettoyage

Appuyez sur le bouton d'alimentation  pour démarre le fonctionnement. Après avoir fini de passer l'aspirateur, appuyez sur le bouton  la quantité de particules aspirées s'affichera à l'écran. Appuyez sur le bouton  pour changer de niveau (auto, éco et turbo) et l'icône correspondante s'affichera à l'écran



Remarque :

- Lorsqu'un mode de nettoyage cesse de fonctionner, l'aspirateur passera en mode auto par défaut quand il redémarrera. Le réglage d'usine par défaut est le mode auto.
- La couleur du niveau de poussière et l'indicateur de puissance d'aspiration changent avec la quantité de particules en temps réel uniquement en mode de fonctionnement automatique.

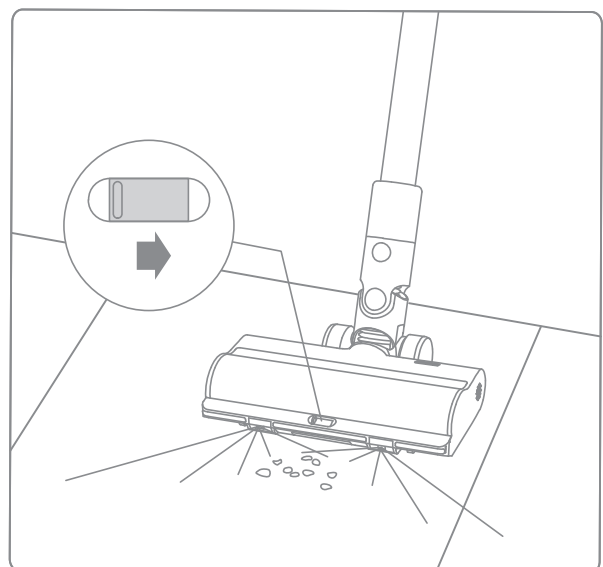
Utilisation des différents accessoires

Brosse multi-surfaces

Lorsque l'appareil démarre, les lumières devant la brosse à rouleau s'allumeront automatiquement, ce qui est pratique à l'utilisation.

Lorsque vous utilisez sur des tapis de jeux de bébé, des moquettes, ou pour aspirer des grains de café, du pop corn ou des granulés, activez le commutateur sur la brosse.

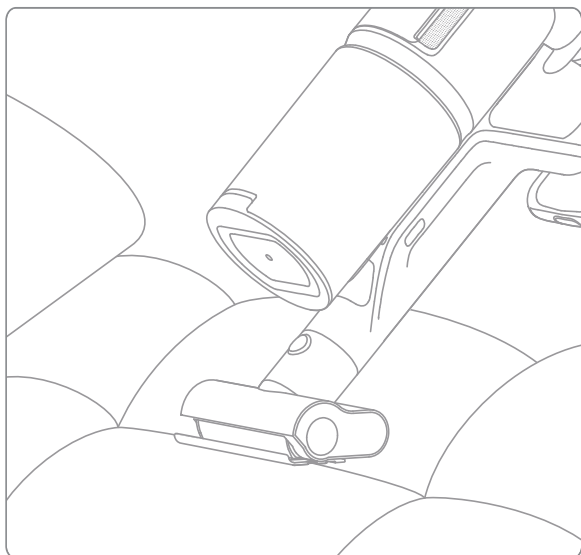
Lorsque vous passez l'aspirateur sur du carrelage, des sols en bois ou d'autres surfaces dures, désactivez le commutateur.



Mode d'utilisation

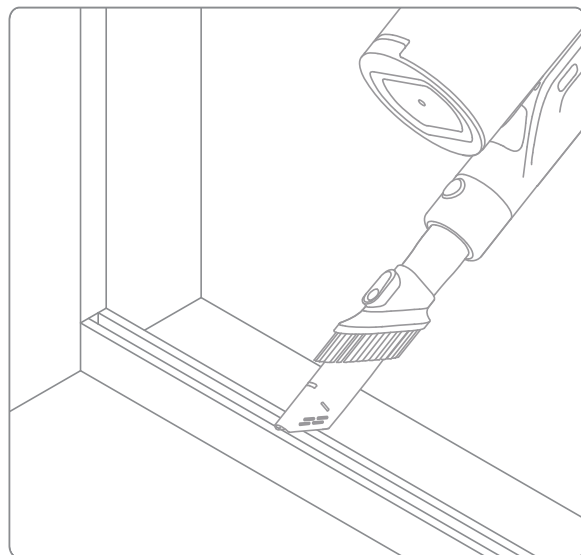
Mini-brosse motorisée

Pour aspirer la poussière, les poils d'animaux, et autres saletés tenaces des canapés, literies et autres surfaces en tissus. Il n'est pas conseillé de passer l'aspirateur sur des surfaces fragiles comme la soie.



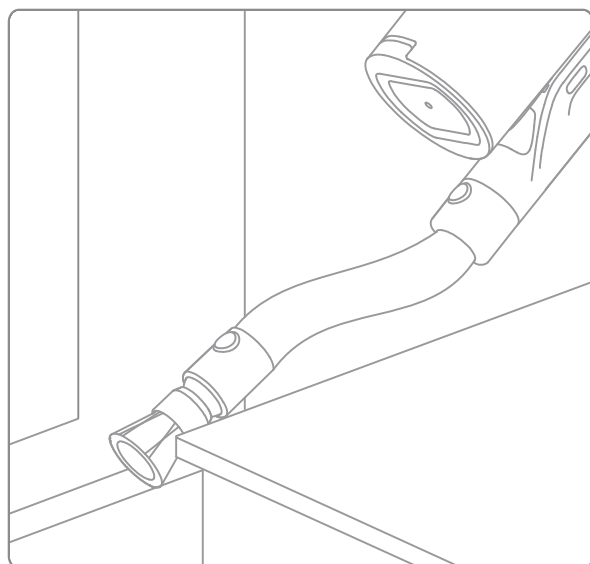
Outil combiné

Convient pour aspirer les fissures, les coins des portes et des fenêtres, les escaliers et autres endroits difficiles à atteindre.



Brosse rotative souple à épousseter

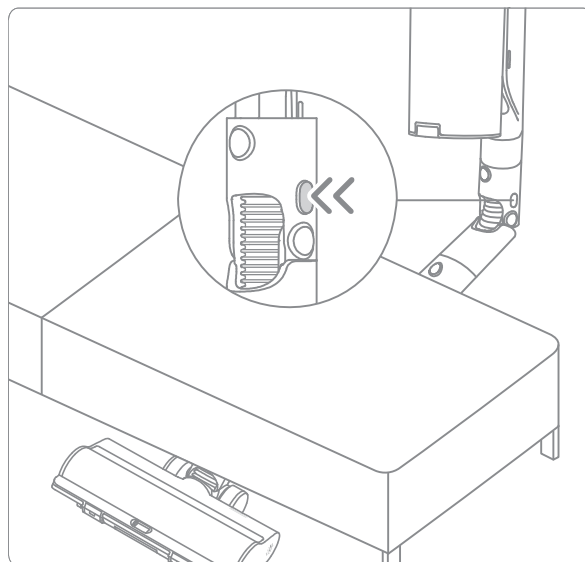
Elle peut se fixer au tuyau d'extension. Avec sa tête pivotante, elle est parfaite pour le nettoyage de surfaces fragiles et délicates et les coins, pour les objets en verre, les écrans et les claviers.



Adaptateur flexible

Le fait de plier et d'étendre le manche en un clic permet d'atteindre facilement le dessous des meubles bas, comme le lit et le canapé.

Remarque : Il est recommandé d'utiliser un adaptateur flexible lorsque vous aspirez sous des meubles bas et il n'est pas recommandé de le connecter au corps de l'aspirateur tout le temps pour le nettoyage quotidien des planchers.



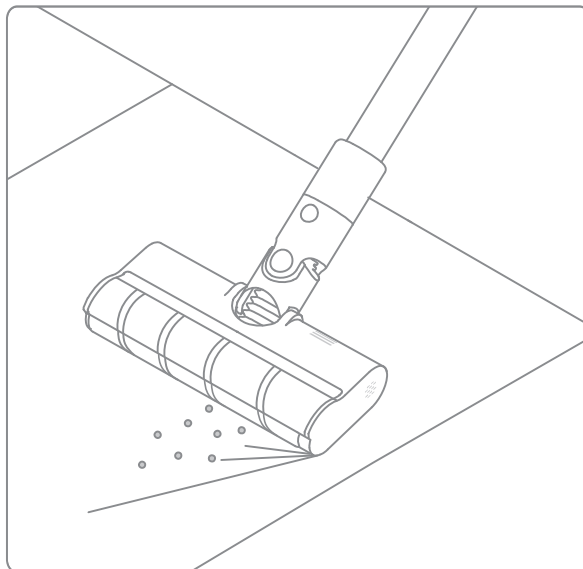
Mode d'utilisation

Éclairage de rouleau-brosse souple

Convient pour le nettoyage des sols durs, tels que les marbres et les carrelages.

Remarque :

Lorsque l'appareil démarre, la lumière latérale de la brosse s'allume automatiquement, facilitant le travail.



Remarque :

- Si un pièce rotative se coince, l'aspirateur est susceptible de s'éteindre automatiquement. Retirez tout objet coincé dans l'aspirateur, puis poursuivez votre utilisation.
- Quand le moteur surchauffe en fonctionnement, l'aspirateur s'éteint automatiquement. Attendez que la température de la batterie revienne à un niveau normal, puis poursuivez votre utilisation.

Conseils:

- Utilisez toujours des pièces d'origine, faute de quoi la garantie pourrait être annulée.
- En cas d'obstruction du filtre ou du bec, l'aspirateur s'arrête de fonctionner peu après avoir été mis sous tension. Nettoyez le filtre ou le bec afin de rétablir son fonctionnement.
- Avant de nettoyer le bac à poussière, veuillez vérifier que la fiche est débranchée et maintenez le bouton d'alimentation de l'aspirateur en position d'arrêt.
- Si l'aspirateur n'est pas utilisé pendant une période prolongée, rechargez-le complètement, débranchez le cordon d'alimentation, retirez la batterie et rangez-le dans un endroit frais et peu humide, à l'abri de la lumière directe du soleil. Pour éviter une décharge excessive de la batterie, rechargez-la au moins une fois tous les trois mois.

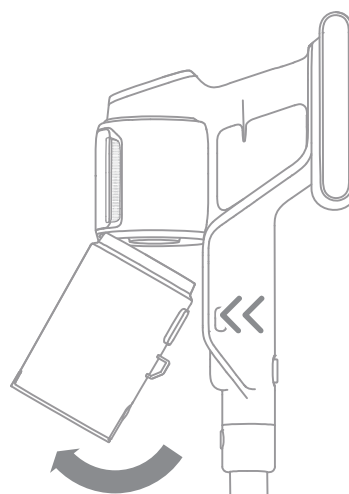
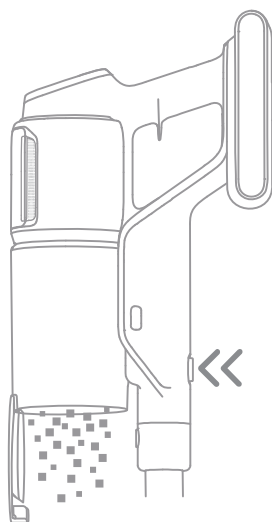
Nettoyage de l'aspirateur Vacuum Cleaner

Essayez l'aspirateur avec un chiffon doux et sec.

Nettoyage du compartiment à poussière, du préfiltre et de l'ensemble cyclone

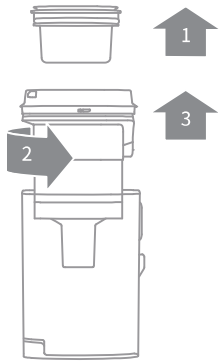
1. Appuyez sur le bouton de déverrouillage du capot inférieur du compartiment à poussière, puis videz celui-ci.

2. Appuyez sur le bouton d'ouverture du bac à poussière et retirez-le de l'aspirateur.

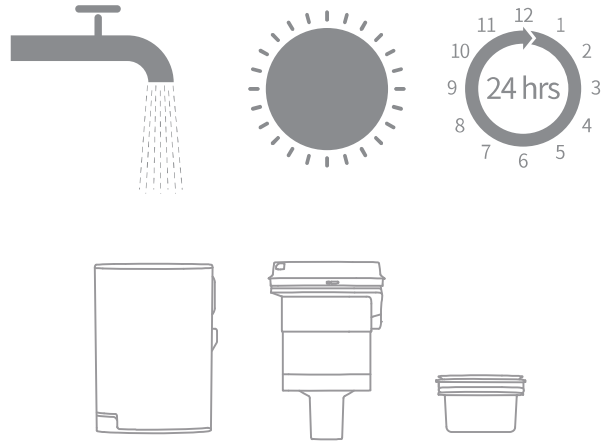


Entretien et maintenance

3. Retirez d'abord le préfiltre, puis tournez le système cyclonique pour le soulever.



4. Rincez le système cyclonique, le préfiltre et le bac à poussière jusqu'à ce qu'ils soient propres. Après le lavage, sécher à l'air libre pendant au moins 24 heures.

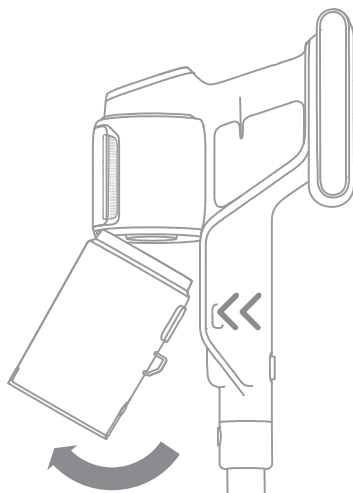


Remarque :

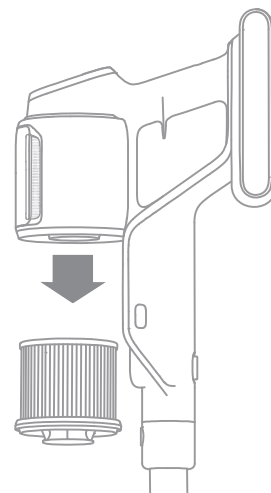
- Nettoyez le bac à poussière au besoin.
- Il est recommandé de nettoyer le système cyclonique et le préfiltre au moins une fois tous les 3 à 4 mois.

Nettoyage du filtre

1. Retirez le compartiment à poussière comme illustré sur le schéma.



2. Retirez le filtre de l'aspirateur en tirant dessus, dans la direction indiquée sur le schéma.

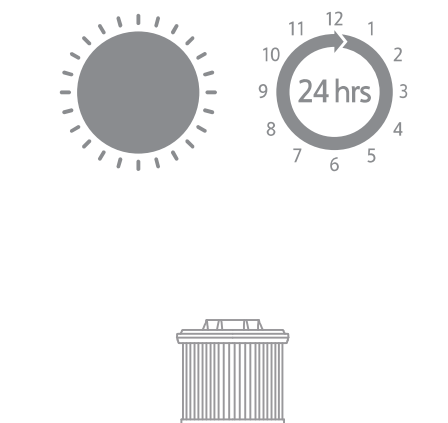


Entretien et maintenance

3. Rincez le filtre en le faisant tourner 360°. Tapotez légèrement le filtre à plusieurs reprises pour éliminer les débris qui y sont coincés.



4. Laissez le filtre sécher complètement pendant au moins 24 heures.

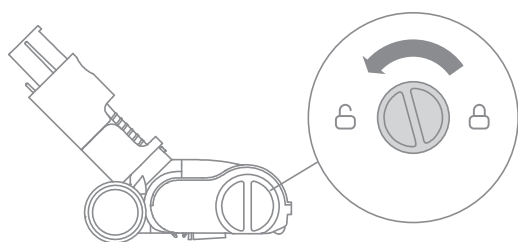


Remarque :

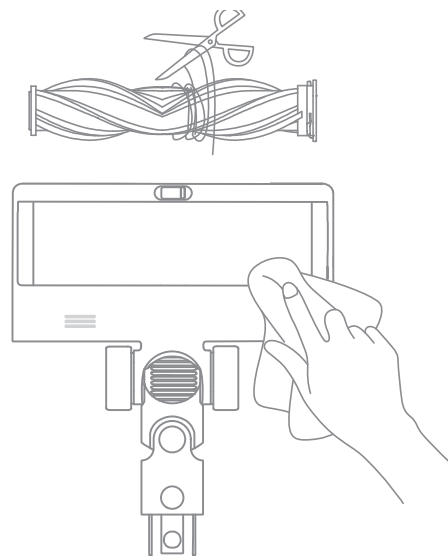
- Pour nettoyer le filtre, n'utilisez que de l'eau claire.
- N'utilisez pas de détergents.
- N'essayez pas de nettoyer le filtre avec une brosse ou vos doigts.
- Il est recommandé de nettoyer le filtre tous les 4 à 6 mois.

Nettoyage de la brosse multi-surfaces

1. Tournez le verrou dans le sens inverse des aiguilles d'une montre jusqu'à ce qu'il s'arrête, puis retirez le rouleau de la brosse à rouleau.

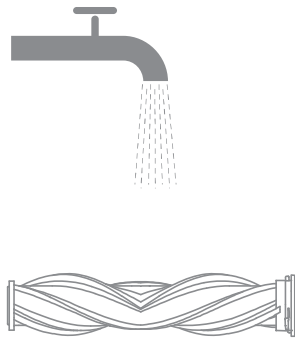


2. Utilisez des ciseaux pour couper les poils et les fibres qui restent coincés sur le rouleau. Essuyez la poussière de l'encoche et du couvercle transparent avec un chiffon sec ou une serviette en papier. Séchez-les soigneusement avant de les utiliser.

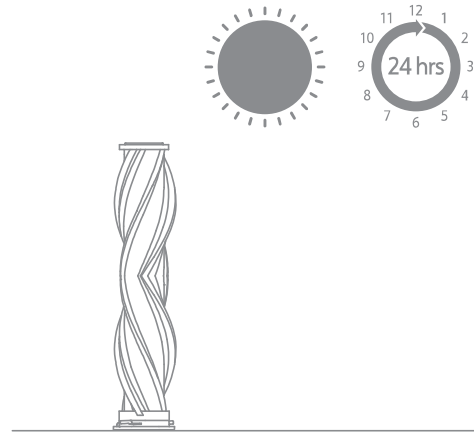


Entretien et maintenance

3. Lorsqu'il est sale, rincez le rouleau à l'eau claire jusqu'à ce qu'elle soit propre.

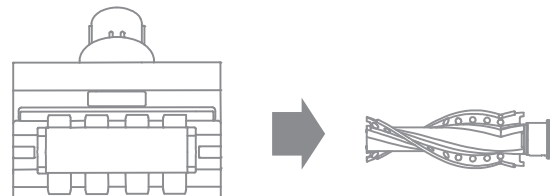
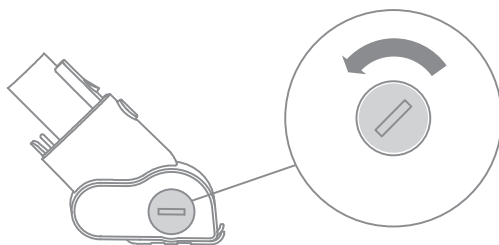


4. Mettez le rouleau en position verticale pendant au moins 24 heures jusqu'à ce qu'elle soit complètement sec.

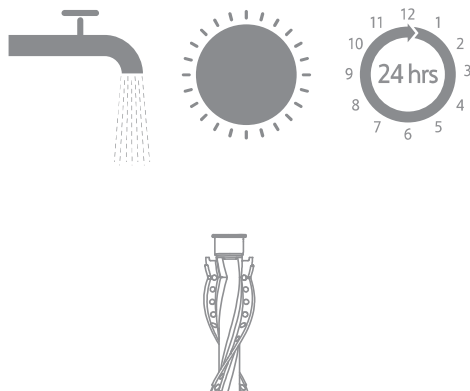


Nettoyage de la mini-brosse motorisée

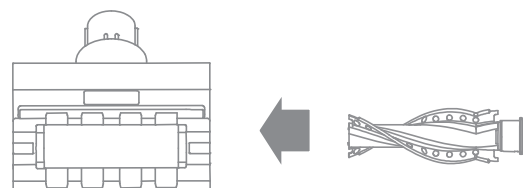
1. Utilisez une pièce de monnaie comme illustré pour faire tourner le verrou dans le sens antihoraire jusqu'à ce qu'un déclic se fasse entendre. Après avoir déverrouillé la mini brosse motorisée, retirez le rouleau-brosse.



2. Lavez et nettoyez le rouleau-brosse. Placez le rouleau-brosse à la verticale dans un espace bien ventilé pendant au moins 24 heures pour le sécher complètement.

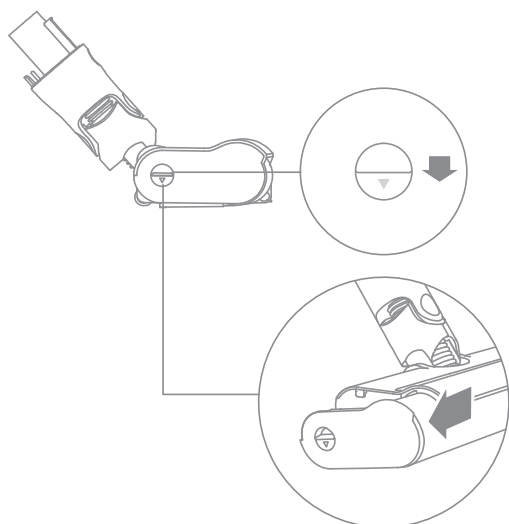


3. Une fois que le rouleau est sèche, réinstallez-la en suivant les étapes de démontage en sens inverse.

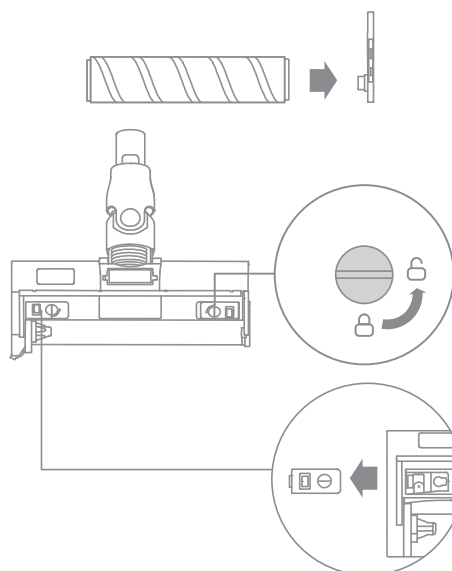


Nettoyage de la brosse à rouleau souple à éclairage

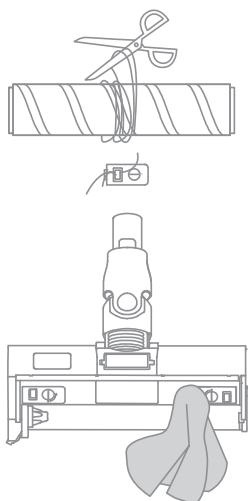
1. Comme le montre l'image, appuyez sur le bouton de déverrouillage du cylindre de brosse relâchez le bouton pour retirer le rouleau de la fente.



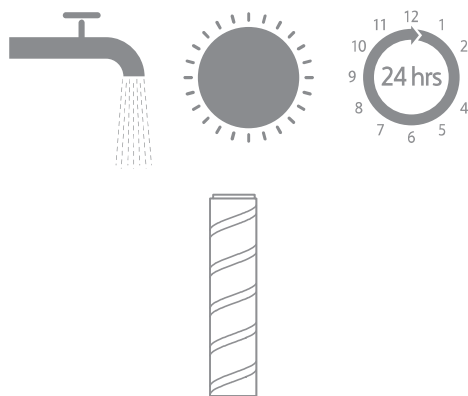
2. Séparez le rouleau du couvercle latéral. Tournez les petits boutons de déverrouillage des roues dans le sens antihoraire pour retirer les roues.



3. Utilisez des ciseaux pour couper les poils et les fibres qui se coincent sur le rouleau-brosse et les roues. Enlevez la poussière de l'encoche et du couvercle transparent avec un chiffon sec ou une serviette en papier. Bien sécher avant d'utiliser.



4. Lorsque le rouleau-brosse est sale, rincez-le à l'eau claire pour le nettoyer. Puis, placez le rouleau-brosse à la verticale pendant au moins 24 heures pour le sécher complètement.

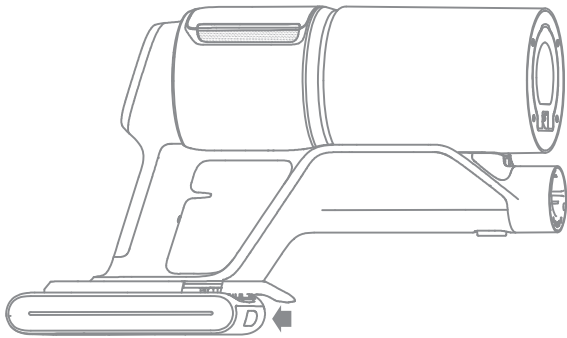


Entretien et maintenance

Remplacement du bloc de batteries

L'aspirateur contient une batterie lithium-ion rechargeable disposant d'un nombre limité de cycles de charge. Après un usage prolongé, la batterie est susceptible de se décharger rapidement. Si c'est le cas, cela signifie que la batterie est arrivée au bout de sa durée de vie et doit être remplacée.

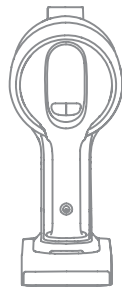
1. Appuyez sur le bouton de libération de la batterie et faites glisser la batterie vers la droite pour la retirer.
2. Installez la nouvelle batterie.



En cas de dysfonctionnement de l'aspirateur, consultez le tableau ci-dessous.







Erreur	Cause possible	Solution
L'aspirateur ne fonctionne pas.	La batterie est déchargée ou faible.	Rechargez complètement l'aspirateur avant de reprendre votre utilisation.
	Le mode de protection contre la surchauffe se déclenche suite à une obstruction.	Attendez que l'aspirateur refroidisse, puis réactivez-le.
	L'orifice d'aspiration ou le conduit d'air est obstrué.	Retirez les débris susceptibles de bloquer l'orifice d'aspiration ou le conduit d'air.
La puissance d'aspiration est affaiblie.	Le compartiment à poussière est rempli et/ou le filtre est obstrué.	Videz le compartiment à poussière et nettoyez l'ensemble filtre.
	L'accessoire est obstrué.	Retirez les débris susceptibles d'obstruer l'accessoire.
Le moteur fait un bruit anormal.	L'orifice d'aspiration principal ou la tige de rallonge est obstrué(e).	Retirez les débris susceptibles de bloquer le suceur principal ou la tige de rallonge.
Le voyant de batterie ne s'allume pas lorsque l'aspirateur est en charge.	Le chargeur n'est pas connecté à l'aspirateur.	Assurez-vous que le chargeur est branché correctement.
	La batterie est complètement chargée et l'appareil est passé en mode veille.	L'aspirateur peut être utilisé normalement.
	Si le problème persiste après avoir écarté les deux possibilités ci-dessus, contactez le service après-vente qui vous aidera.	
La batterie charge lentement.	La température de la batterie est trop basse ou trop élevée.	Attendez que la température de la batterie revienne à un niveau normal, puis reprenez votre session de nettoyage.
Les DEL de la brosse multi-surfaces et l'illumination du rouleau-brosse souple ne fonctionnent pas.	La lampe à LED est endommagée.	Veillez contacter le service après-vente pour l'entretien.

Indicateur de l'état de la batterie

Statut	Causes possibles	Solutions	
L'indicateur est rouge après la mise en marche de l'aspirateur.	La batterie est endommagée.	Veillez contacter le service après-vente pour l'entretien.	
L'indicateur clignote en rouge rapidement pendant la charge de l'aspirateur.	Le chargeur n'est pas compatible.	Utilisez uniquement le chargeur d'origine pour recharger l'aspirateur.	
L'indicateur clignote en blanc pendant le fonctionnement de l'aspirateur.	Batterie déchargée	Rechargez la batterie immédiatement.	

Dépannage

Si l'aspirateur ne fonctionne pas correctement, l'écran affiche un message d'erreur. Veuillez vous référer au tableau de dépannage pour trouver votre solution."

Icône d'erreur	Message d'erreur	Solution
	Batterie faible	Rechargez la batterie immédiatement.
	Batterie déchargée	Rechargez la batterie immédiatement.
	La température de la batterie est trop élevée	Attendez que la température de la batterie revienne à un niveau normal, puis reprenez votre session de nettoyage.
	Conduit d'air bloqué	Vérifiez si le bac à poussière, la tige d'extension, la brosse multi-surface, l'illumination du rouleau-brosse souple ou la mini-brosse motorisée sont bloqués.
	Rouleau-brosse coincé	Reportez-vous à la section [Nettoyage de la brosse multi-surfaces] pour nettoyer les débris et les cheveux emmêlés sur le rouleau brosse.
	La durée de vie du filtre arrive à expiration	Remplacez le filtre à temps.
	Remplacez le filtre	Après avoir remplacé le filtre, reportez-vous au [Paramètres] pour réinitialiser le filtre.
	Erreurs	Veillez contacter le service après-vente pour l'entretien.

Spécifications

Aspirateur			
Modèle	VZV16A	Puissance mesurée	715 W
Tension de charge	34 V ---	Tension mesuré	29,6 V ---
Temps de Charge	Environ 3,5 heures		
Brosse multi-surfaces		Mini-brosse motorisée	
Modèle	VMBZ	Modèle	VMMY
Puissance mesurée	40 W	Puissance mesurée	20 W
Tension mesuré	25,2 V ---	Tension mesuré	24 V ---
Éclairage de rouleau-brosse souple			
Modèle	VBRW	Puissance mesurée	40 W
Tension mesuré		25,2 V ---	
Chargeur			
Modèle	ZD024M340090US		
Entrée	100V-240 V \sim 50/60 Hz 0,8 A		
Sortie	34 V --- 0,9 A		
Batterie rechargeable lithium-ion			
Modèle	V2405-8S1P-GYA	Tension nominale	29,6 V ---
Capacité de fonctionnement	2700 mAh	Capacité nominale	2850 mAh
Énergie	79,92 Wh		

La batterie lithium-ion contient des substances dangereuses pour l'environnement. Avant de mettre l'aspirateur au rebut, retirez d'abord la batterie pour la jeter ou la recycler conformément à la législation et à la réglementation locales du pays ou de la région dans lequel ou laquelle il est utilisé.

Instrucciones de seguridad importantes

INSTRUCCIONES IMPORTANTES DE SEGURIDAD

Cuando utiliza un aparato eléctrico, siempre debe seguir las precauciones básicas, incluidas las siguientes:

LEA TODAS LAS INSTRUCCIONES ANTES DE USAR (ESTE APARATO). El incumplimiento de las advertencias e instrucciones puede provocar descarga eléctrica, incendio y/o lesiones graves.

ADVERTENCIA – Para reducir el riesgo de incendio, descarga eléctrica o lesiones:

- No lo utilice al aire libre o sobre superficies mojadas.
- No permita que se utilice como un juguete. Debe prestar mucha atención cuando se utiliza cerca de niños, mascotas o plantas.
- Use únicamente como se describe en este manual. Sólo utilice los accesorios recomendados por el fabricante.
- No lo utilice con el cable o enchufe dañado. Si el aparato no funciona correctamente, se ha caído, dañado, dejado al aire libre o sumergido en agua, remítalo a un centro de servicio.
- No tire ni transporte agarrando el cable, no use el cable como asa, no cierre puertas encima del cable ni pase el cable por bordes o esquinas afiladas. No pase el aparato por encima del cable. Mantenga el cable alejado de superficies calientes.
- No desenchufe tirando del cable. Para desenchufar, agarre el enchufe, no el cable.
- No manipule el cargador, el enchufe del cargador y los terminales del cargador con las manos mojadas.
- No coloque ningún objeto en las aberturas. No lo utilice si tiene alguna abertura bloqueada; manténgalo libre de polvo, pelusas, cabello y cualquier material que pueda reducir el flujo de aire.
- Mantenga el cabello, la ropa holgada, los dedos y todas las partes del cuerpo alejados de las aberturas y las piezas móviles.
- Tenga mucho cuidado cuando limpie escaleras.
- No lo use para limpiar líquidos inflamables o combustibles, como gasolina, ni lo use en zonas donde puedan estar presentes.
- No limpie nada que se esté quemando o humeando, como cigarrillos, cerillas o cenizas calientes.

- No lo utilice sin la compartimento de polvo o los filtros instalados.
- Evite el encendido involuntario. Asegúrese de que el interruptor esté apagado antes de conectarlo a la batería, levantarlo o transportarlo. Transportar el aparato con el dedo apoyado en el interruptor o energizar el aparato con el interruptor encendido puede causar accidentes.
- Desconecte la batería del aparato antes de realizar cualquier ajuste, cambiar accesorios o almacenar el aparato. Estas medidas preventivas de seguridad reducen el riesgo de encender por accidente el aparato.
- Recargue sólo con el cargador especificado por el fabricante. Un cargador adecuado para un tipo de batería puede provocar riesgo de incendio si se utiliza en otra batería.
- Use sus aparatos sólo con las baterías específicamente indicadas. El uso de cualquier otra batería puede provocar riesgo de lesiones e incendio.
- Cuando la batería no esté en uso, manténgala alejada de objetos metálicos, como clips de papel, monedas, llaves, clavos, tornillos u otros objetos metálicos pequeños que pueden provocar la conexión de los terminales. Un cortocircuito en los terminales de la batería puede provocar quemaduras o incendios.
- Bajo condiciones abusivas, puede haber fugas de líquido en la batería; evite el contacto. Si ocurre contacto accidental, enjuague con agua. Si el líquido entra en contacto con los ojos, busque atención médica. El líquido derramado de la batería puede provocar irritación o quemaduras.
- No utilice una batería o un aparato dañado o modificado. Las baterías dañadas o modificadas pueden tener un comportamiento impredecible que resulte en fuego, explosión o lesiones.
- No exponga una batería o un aparato al fuego ni a temperaturas excesivas. La exposición al fuego o una temperatura superior a 130°C puede provocar explosiones.
- Siga todas las instrucciones de carga y no cargue la batería o el aparato fuera del rango de temperatura indicado en las instrucciones.
- La carga incorrecta o a temperaturas fuera del rango indicado puede dañar la batería y aumentar el riesgo de incendio.
- Remita el servicio a un técnico calificado que utilice únicamente idénticas piezas de repuesto. Esto asegurará que se mantenga la seguridad del producto.

- No modifique ni intente reparar el aparato o la batería, excepto de la forma indicada en las instrucciones de uso y cuidado.
- No utilización ni almacenamiento en ambientes muy calientes o fríos (por debajo de 0°C / 32°F o por encima de 40°C / 104°F). Cargue la aspiradora inalámbrica a temperatura de entre 0°C/32°F y 40°C/104 °F.
- Apague este aparato siempre antes de conectar o desconectar la boquilla motorizada.
- Riesgo de lesiones. El cepillo podría activarse de forma inesperada. Mantenga el interruptor en posición de apagado antes de limpiarlo o realizarle mantenimiento.



Precaución:

Este dispositivo cumple con la Parte 15 de las Normas de la FCC / Innovación, Ciencia y Desarrollo Económico RSS(s) exentos de licencia de Canadá. El funcionamiento está sujeto a las siguientes dos condiciones: (1) este dispositivo no puede causar interferencias dañinas. (2) este dispositivo debe aceptar cualquier interferencia recibida, incluida la interferencia que pueda provocar un funcionamiento no deseado.

- Cambios o modificaciones no aprobados expresamente por la parte responsable del cumplimiento podrían anular la autoridad del usuario para operar el equipo.
- Este equipo ha sido probado y se determinó que cumple con los límites para un dispositivo digital de Clase B, de conformidad con la parte 15 de las Normas de la FCC. Estos límites están diseñados para brindar una protección razonable contra interferencias dañinas en una instalación residencial. Este equipo genera usos y puede irradiar energía de radiofrecuencia y, si no se instala y utiliza de acuerdo con las instrucciones, puede causar interferencias dañinas en las comunicaciones por radio. Sin embargo, no hay garantía de que no se produzcan interferencias en una instalación en particular. Si este equipo causa interferencias dañinas en la recepción de radio o televisión, lo que se puede determinar con apagar y encender el equipo, se recomienda que el usuario intente corregir la interferencia mediante una o más de las siguientes acciones.

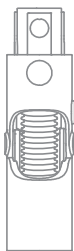
GUARDE ESTAS INSTRUCCIONES

Solo para uso doméstico.

	Corriente continua
	Corriente alterna

Descripción del producto

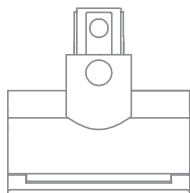
Lista de accesorios



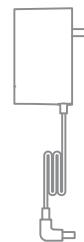
Adaptador flexible



Cepillo suave para polvo de rotación



Mini-Cepillo Motorizado



Cargador



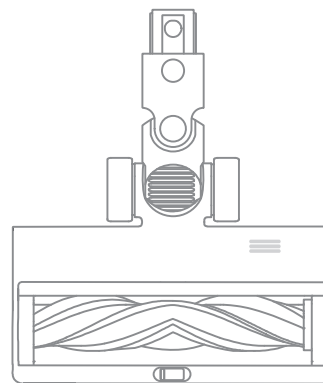
Varilla extensible



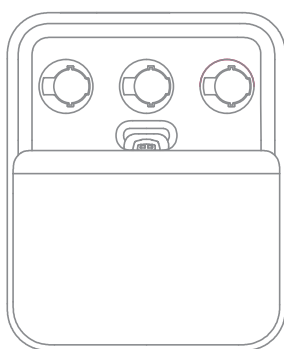
Herramienta de combinación



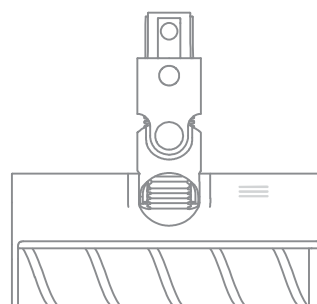
Extension Hose



Cepillo Multisuperficie



Soporte de almacenamiento de accesorios (varilla de soporte x1, soporte de almacenamiento x1)



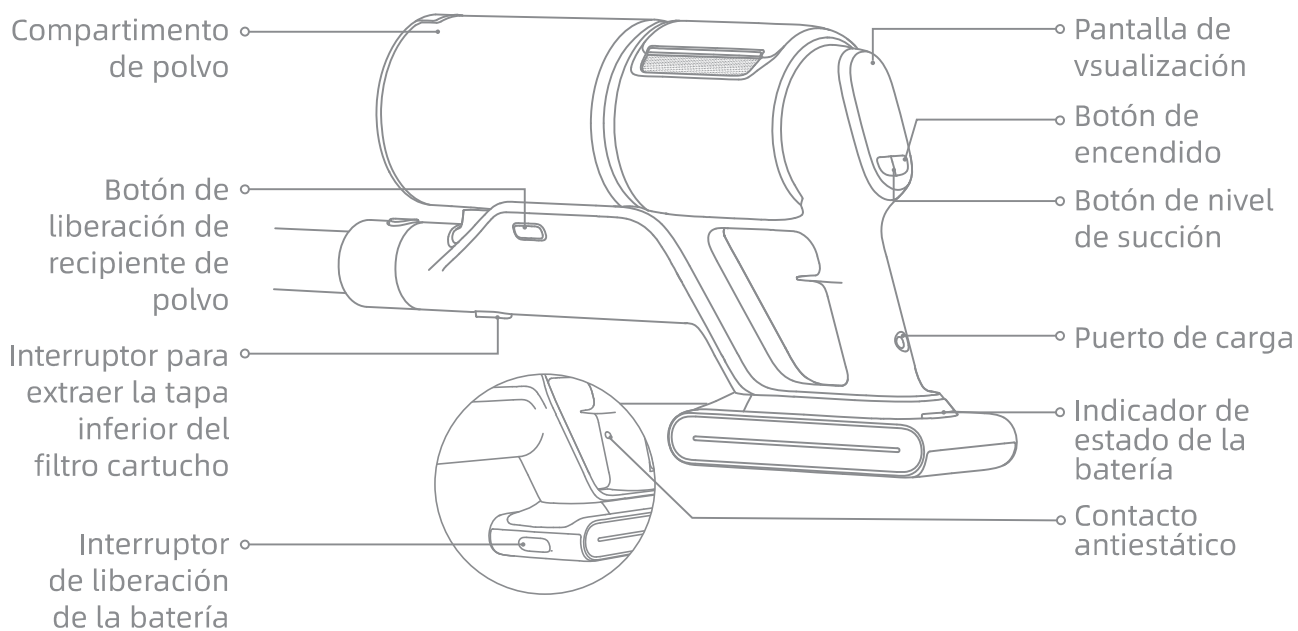
Cepillo de rodillo suave con iluminación

Nota: La imagen es solo de referencia, el objeto real no necesariamente se relaciona con la imagen.

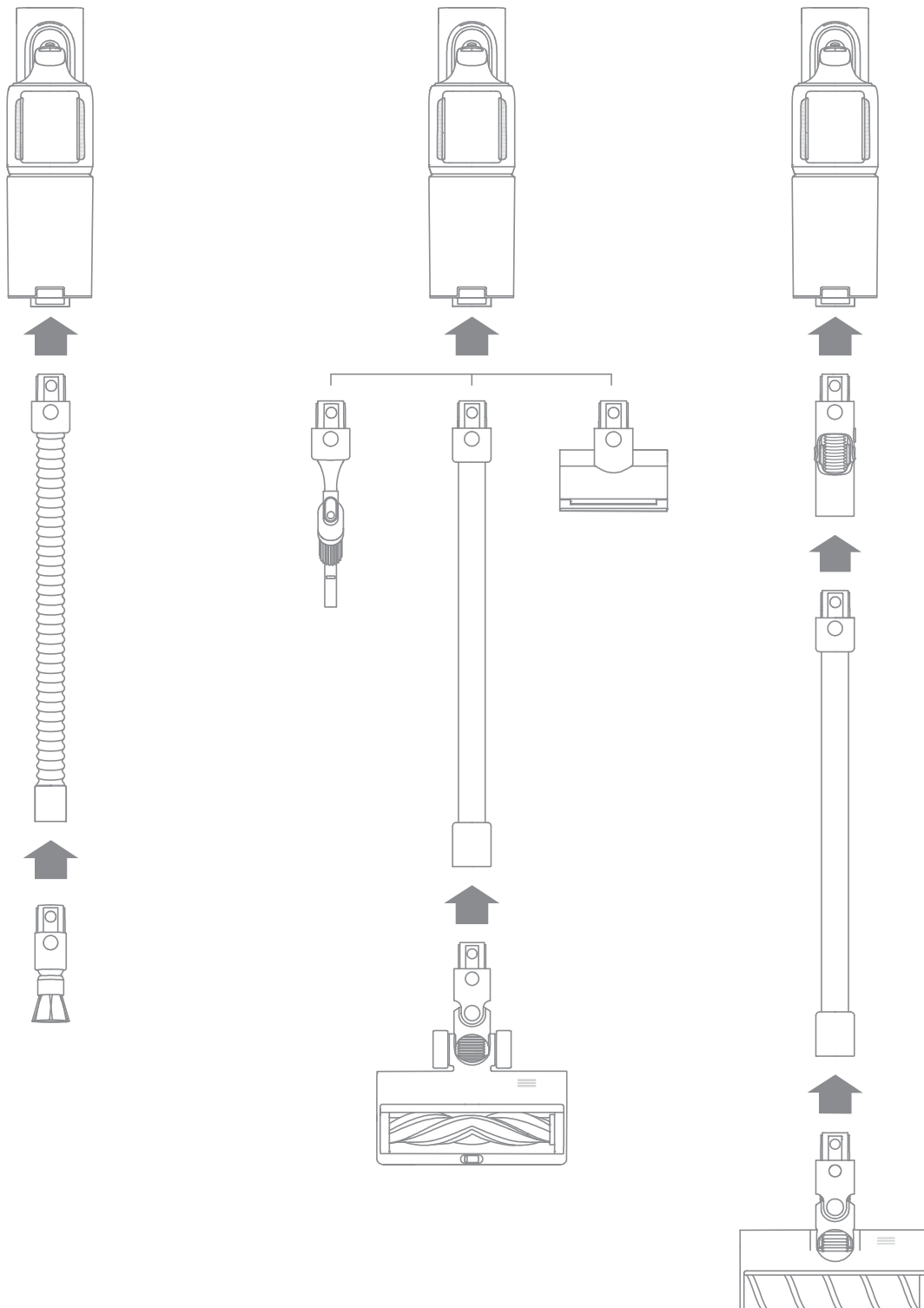
Descripción del producto

Nombre del componente

Cuerpo de la aspiradora



Instalación de accesorios



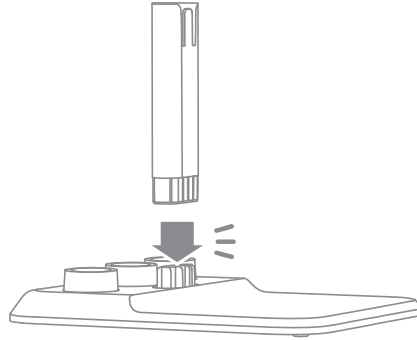
Nota:

- No se recomienda utilizar el minicepillo motorizado con la alargadera.
- Por favor, instale los accesorios en función de las necesidades reales de limpieza.
- Se recomienda utilizar el adaptador flexible para limpiar los muebles de altura baja y no se recomienda conectarlo al cuerpo de la aspiradora todo el tiempo para la limpieza diaria del piso.

Montaje

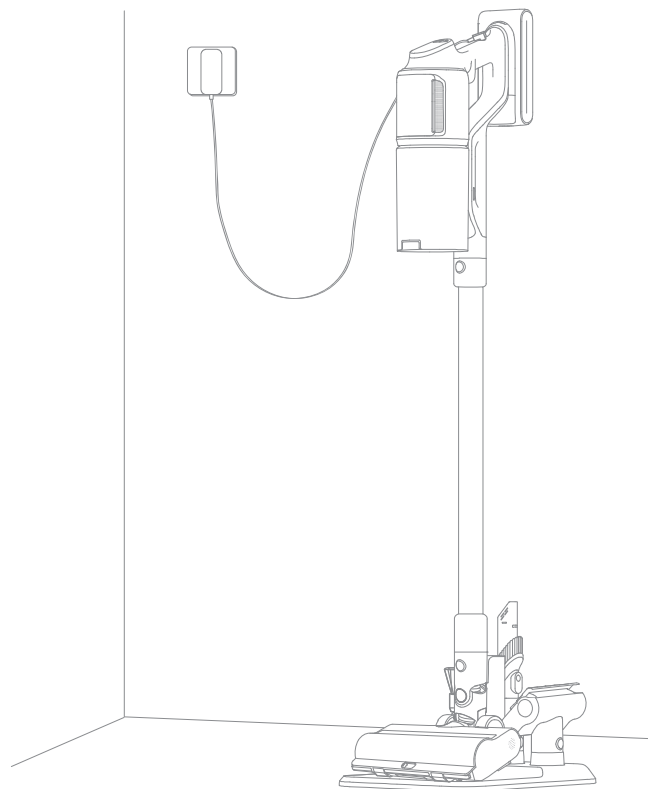
Instalación de soporte de almacenamiento de accesorios

Inserte la varilla de soporte verticalmente en el soporte de almacenamiento hasta oír un click.



Carga

Cargue completamente la aspiradora antes de usarla por primera vez.



Nota:

- La aspiradora no puede usarse mientras se está cargando.
- Cuando esté completamente cargada, el indicador de estado de la batería se apagará después de 5 minutos y la aspiradora entrará en modo de ahorro de energía.
- Esto tardará alrededor de 3,5 horas. Si se aspira en modo turbo durante un período prolongado, la batería se calentará. Se recomienda dejar que el aspirador se enfríe durante 30 minutos antes de cargarlo de nuevo.

Carga

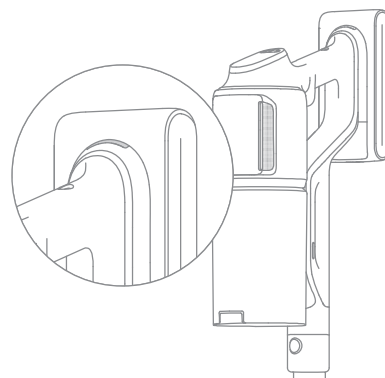
Visualización de Estado de Batería

1. Indicador de estado de la batería

- ☀ Blanco parpadeante
- Blanco sólido
- Apagado

Carga

- Totalmente cargada
- ☀ Carga
- Modo de espera



2. Pantalla de visualización

El número en la pantalla representa el nivel de batería actual en porcentaje durante la carga. Cuando llegue a 100, la batería está totalmente cargada.



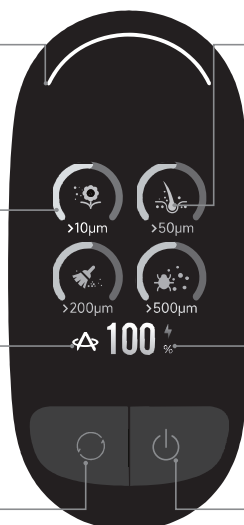
Modo de uso

Pantalla de visualización

Indicador de nivel de El color cambia con la cantidad de polvo en tiempo real (solo en modo automático).
Indicador de cantidad de materia particulada

Nivel de succión
 Eco
 Automático
 Turbo

Botón de nivel de succión
 Presione brevemente para cambiar entre modos eco, automático y turbo.






Tipos de materia particulada
 > 10 μm (por ejemplo, polen)
 > 50 μm (por ejemplo, pelo)
 > 200 μm (por ejemplo, polvo)
 > 500 μm (por ejemplo, ácaros)

Porcentaje de nivel de batería
 Cuando la pantalla muestra "LO", está indicando que el nivel de la batería está por debajo de 10%.


Botón de encendido
 Presione brevemente para encender/apagar

Modo de uso




Configuración

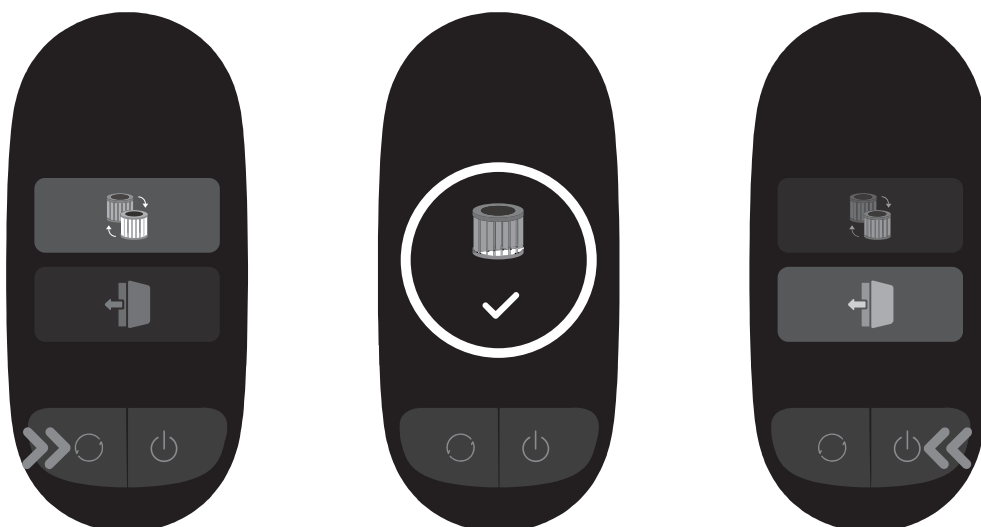
En el estado de espera, presione y mantenga pulsado el interruptor de nivel de succión  durante 3 segundos para acceder a la interfaz de configuración. Presione brevemente  para seleccionar una opción y mantenga pulsado  durante 3 segundos para confirmar.

Restablecer el filtro

Mantenga pulsado el interruptor de nivel de succión  durante 3 segundos para seleccionar el restablecimiento del filtro y se completará automáticamente el restablecimiento del filtro .

Salir

Presione el botón de encendido  cuando se encuentre en la interfaz de configuración para volver directamente a la interfaz principal, o seleccione , luego, mantenga pulsado el interruptor de nivel de succión  durante 3 segundos para volver a la interfaz principal.






Nota:

- Si no se realiza ninguna operación durante más de 15 segundos, la pantalla se apagará y volverá a la interfaz principal cuando se encienda de nuevo.
- Si la aspiradora no funciona correctamente, en la pantalla aparecerá un mensaje de error. Consulte la sección de solución de problemas para encontrar la solución.

Modo de uso

Empezar a limpiar

Presione el botón de encendido  para iniciar el funcionamiento. Una vez finalizado el aspirado, presione el botón  y la cantidad de diferentes materias particuladas aspiradas se mostrará en la pantalla.

Presione el botón  para cambiar los niveles entre automático, eco y turbo, mostrándose el icono correspondiente en la pantalla.



Nota:

- Cuando cualquier modo de limpieza deja de funcionar, la aspiradora pasará por defecto al modo automático cuando se ponga en marcha de nuevo. La configuración por defecto de fábrica es el modo automático.
- Solo cuando funciona en modo automático, la potencia de succión y el color del indicador de nivel de suciedad cambian con la cantidad de materia particulada en tiempo real.

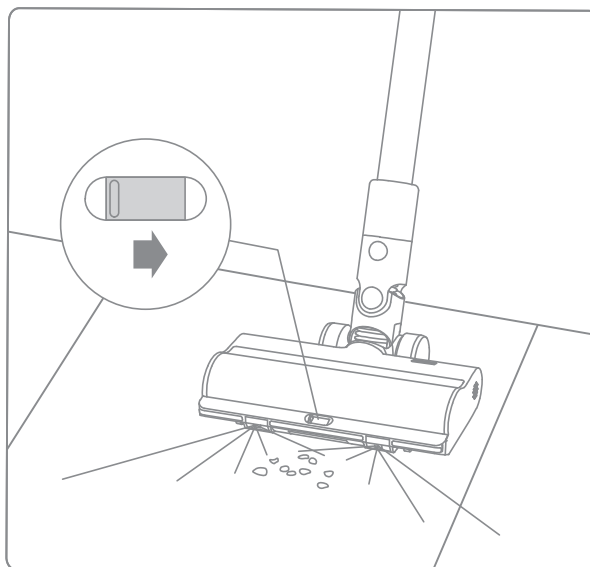
Uso de los diferentes accesorios

Cepillo Multisuperficie

Cuando el aparato se arranca, las luces en frente del cepillo del rodillo se encenderán automáticamente, lo cual es conveniente para su uso.

Al usar sobre tapetes de juego para bebés, alfombras, o para aspirar granos de café, palomitas de maíz y otros granulados, encienda el interruptor en el cepillo.

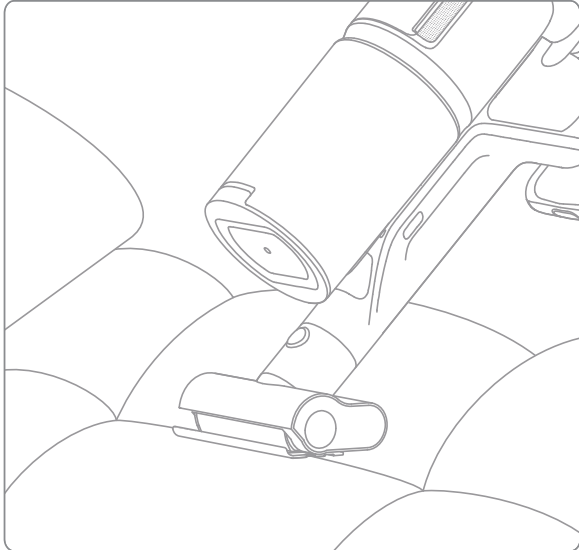
Al aspirar sobre losas, pisos de madera u otras superficies duras, apague el interruptor en el cepillo.



Modo de uso

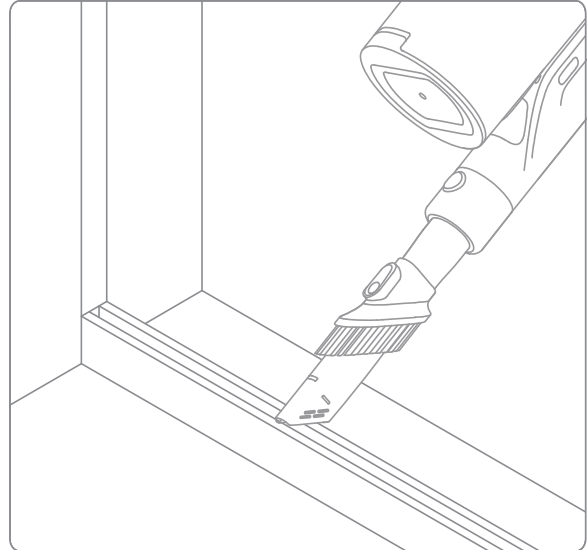
Mini-Cepillo Motorizado

Para aspirar suciedad, pelos de mascotas y otros residuos difíciles de sofás, ropa de cama y otras superficies de tela. No se recomienda aspirar sobre superficies frágiles, como la seda.



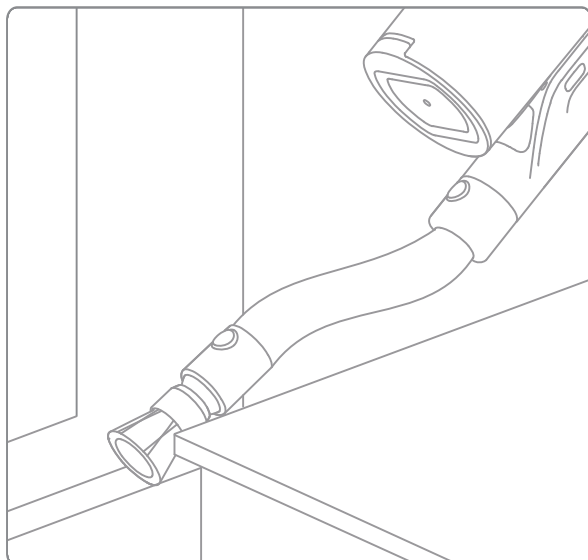
Herramienta de combinación

Adecuada para aspirar en grietas, esquinas de puertas y ventanas, escaleras y otros lugares de difícil acceso.



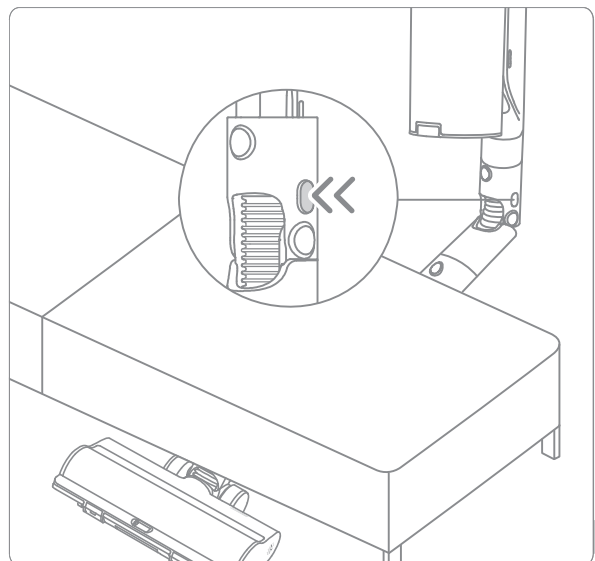
Cepillo suave para polvo de rotación

Se puede conectar a la manguera de extensión. Con un cabezal giratorio, es adecuado para limpiar superficies y rincones delicados y frágiles, como cristales, pantallas y teclados.



Adaptador flexible

Doblar y extender la varilla con un clic puede alcanzar fácilmente bajo muebles de altura baja, como camas y sofás. Nota: Se recomienda utilizar el adaptador flexible para limpiar los muebles de altura baja y no se recomienda conectarlo al cuerpo de la aspiradora todo el tiempo para la limpieza diaria del piso.



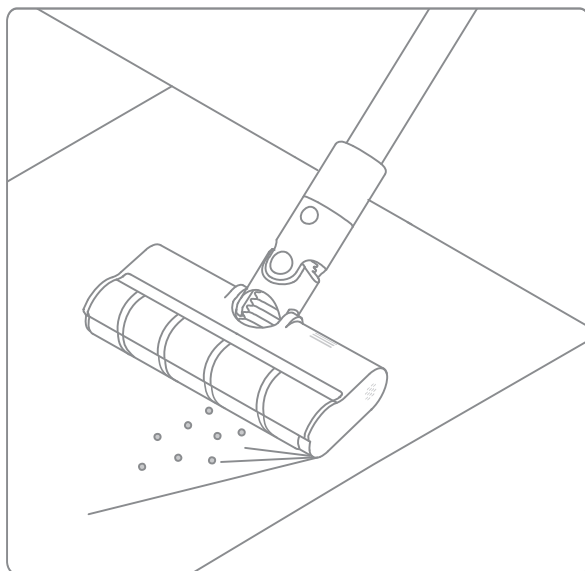
Modo de uso

Cepillo de rodillo suave con iluminación

Adecuado para limpiar pisos duros tales como mármoles y cerámicas.

Nota:

Cuando el aparato se pone en marcha, la luz lateral del cepillo se enciende automáticamente, lo que resulta muy conveniente.



Nota:

- Si alguna pieza giratoria se queda atascada, la aspiradora podría apagarse de forma automática. Extraiga los objetos extraños que se hayan quedado atascados y reanude el uso.
- Si el motor funciona a temperaturas demasiado elevadas, la aspiradora se apagará automáticamente. Espere a que la temperatura de la batería vuelva a ser normal y, a continuación, reanude el uso.

Cuidado y mantenimiento

Advertencia

- Utilice siempre piezas originales para evitar que se anule la garantía.
- Si el filtro o la boquilla se obstruye, el aspirador dejará de funcionar poco después de encenderse. Para restaurar la funcionalidad, limpie el filtro o la boquilla.
- Antes de limpiar el depósito de polvo, desconecte el enchufe y mantenga el botón de encendido de la aspiradora en la posición de apagado.
- Si la aspiradora no se usa durante un largo período de tiempo, cárguela completamente, desconecte el cable de alimentación, retire la batería y guárdela en un ambiente fresco de baja humedad, retirado de la luz solar directa. Para evitar la descarga profunda de la batería, recárguela al menos una vez cada tres meses.

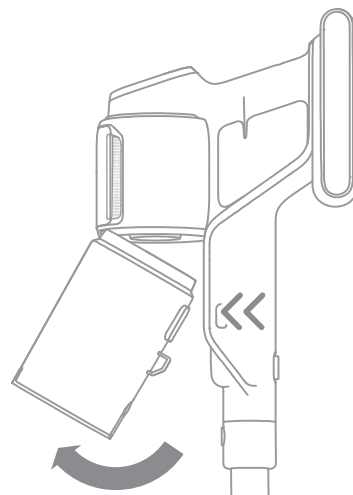
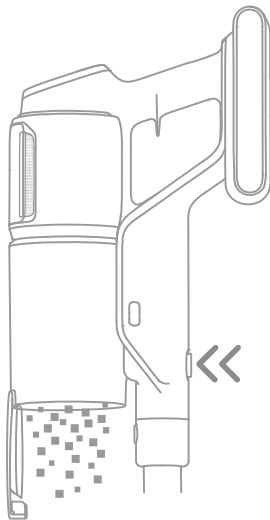
Limpieza de la aspiradora

Limpie la aspiradora con un paño seco y suave.

Limpieza del compartimento para el polvo, el prefiltro y el separador ciclónico

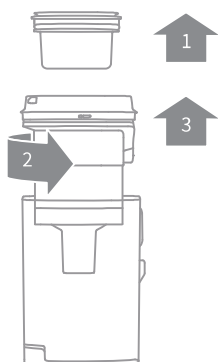
1. Pulse el interruptor para extraer la tapa inferior del compartimento de polvo y vacíe el contenido.

2. Presione el botón de liberación del recipiente de polvo y retírelode la aspiradora.

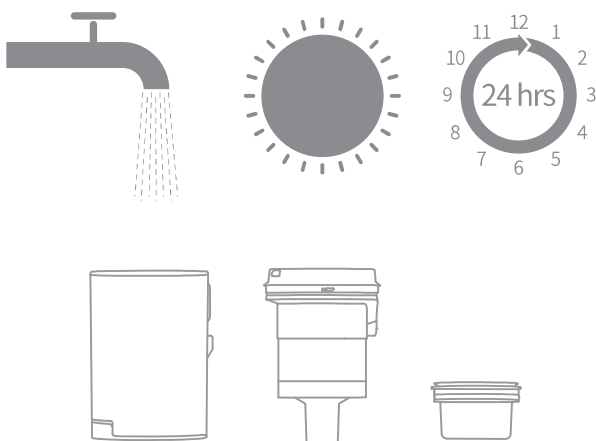


Cuidado y mantenimiento

3. Retire primero el prefiltro y luego gire el sistema ciclónico para sacarlo.



4. Enjuague el conjunto ciclónico, el prefiltro y el recipiente de polvo hasta que queden limpios. Tras el lavado, seque al aire libre durante al menos 24 horas.

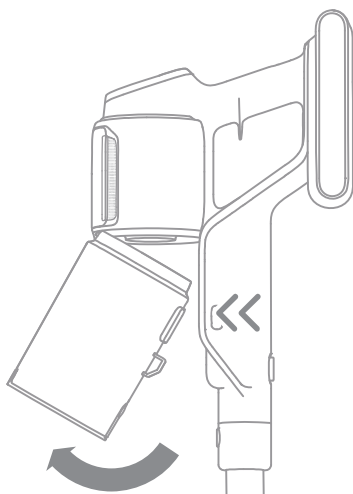


Nota:

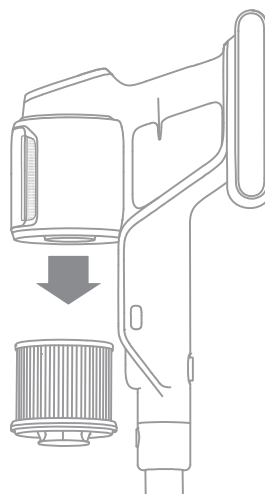
- Limpie el depósito de polvo según sea necesario.
- Se recomienda limpiar el conjunto ciclónico y el prefiltro al menos una vez cada 3 a 4 meses.

Limpieza del filtro

1. Extraiga el compartimento del polvo como se indica en la imagen.



2. Extraiga el filtro de la aspiradora tirando hacia abajo, en la dirección que se muestra en la imagen.

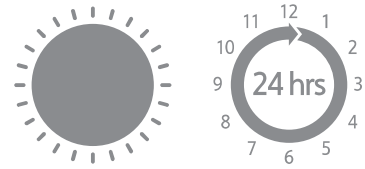


Cuidado y mantenimiento

3. Enjuague el filtro girándolo 360°. Golpee suavemente el filtro varias veces para remover cualquier residuo atrapado en él.



4. Deje secar el filtro durante, al menos, 24 horas.



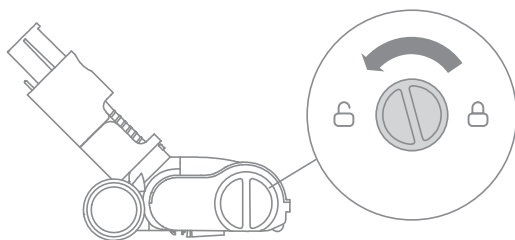
Nota:

- Utilice únicamente agua limpia para limpiar el filtro.
- No utilice detergentes.
- No intente limpiar el filtro con un cepillo ni con los dedos.
- Se recomienda limpiar el filtro una vez cada 4 o 6 meses.

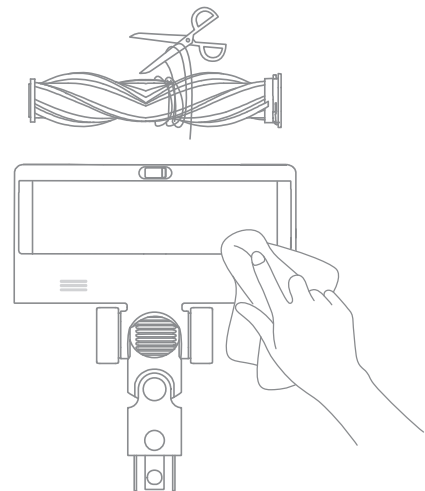
Care & Maintenance

Limpiar el Cepillo Multisuperficie

1. Gire el bloqueo en sentido contrario a las agujas del reloj hasta que se detenga, luego quite el rodillo.

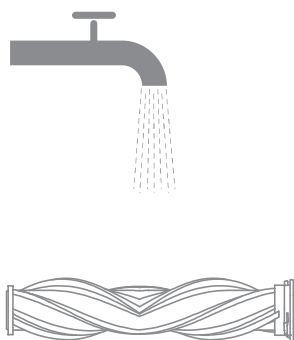


2. Utilice unas tijeras para cortar los pelos y las fibras que se atascan en el rodillo. Elimine el polvo de la muesca y la tapa transparente con un paño seco o una toalla de papel. Seque bien antes de utilizar.

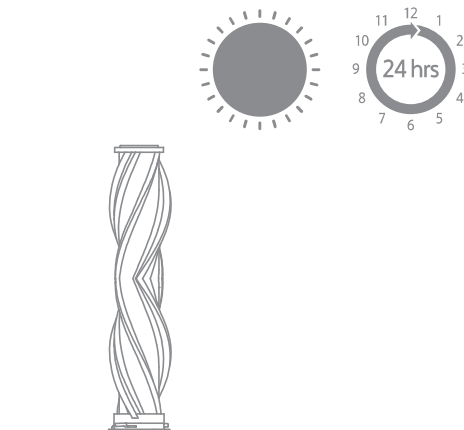


Care & Maintenance

3. Cuando está sucio, enjuague el rodillo con agua limpia hasta que esté limpio.

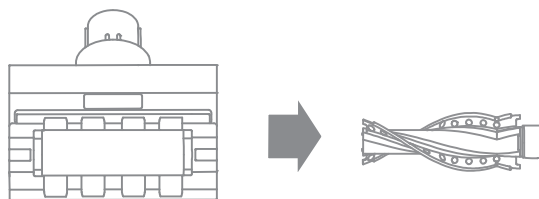
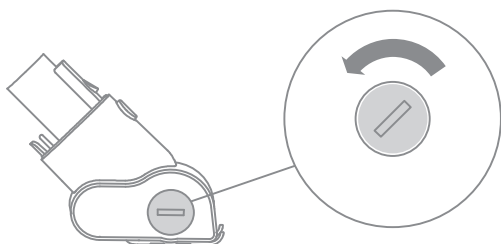


4. Coloque el rodillo en posición vertical durante al menos 24 horas hasta que esté completamente seco.

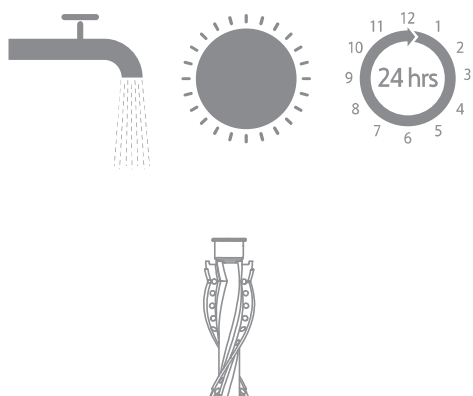


Limpiar el Mini Cepillo Motorizado

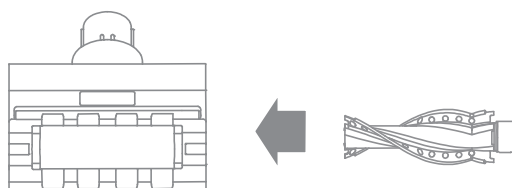
1. Use una moneda como se ilustra para girar el seguro en sentido antihorario hasta que oiga un clic. Después de desbloquear el minicepillo motorizado, retire el rodillo.



2. Enjuague y limpie el rodillo. Coloque el rodillo en posición vertical en un lugar bien ventilado durante al menos 24 horas hasta que esté completamente seco.



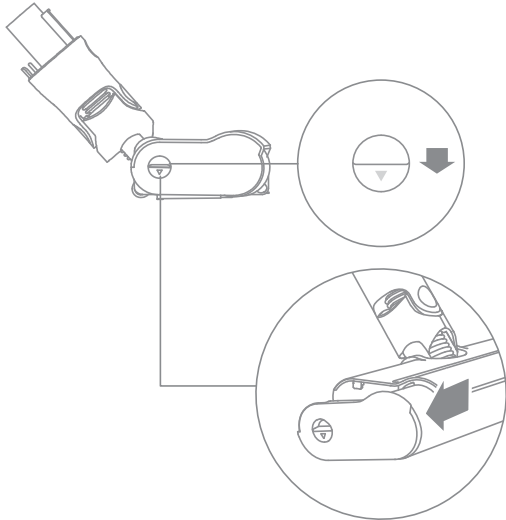
3. Una vez que el rodillo esté seco, vuelva a instalarlo siguiendo los pasos de desmontaje al revés.



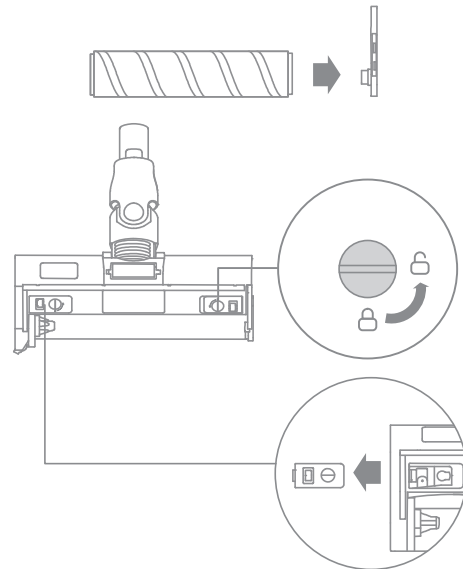
Care & Maintenance

Limpieza del cepillo de rodillo suave con iluminación

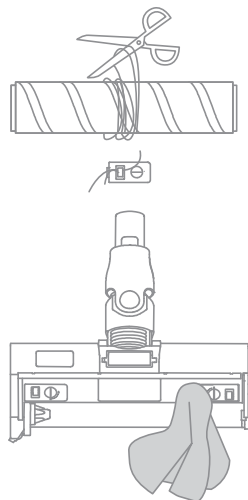
1. Como se muestra en la imagen, presione el botón de liberación del cepillo suave para liberar el cepillo de su lugar.



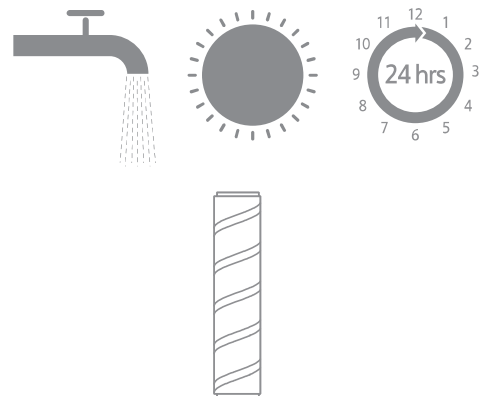
2. Separe el rodillo de la cubierta lateral. Gire los pequeños botones de liberación de rueda en sentido antihorario para remover las ruedas.



3. Use tijeras para cortar los cabellos y fibras que se atascan en el rodillo y las ruedas. Limpie el polvo de la muesca y cubierta transparente con un paño seco o toalla de papel. Secar minuciosamente antes de usarse.



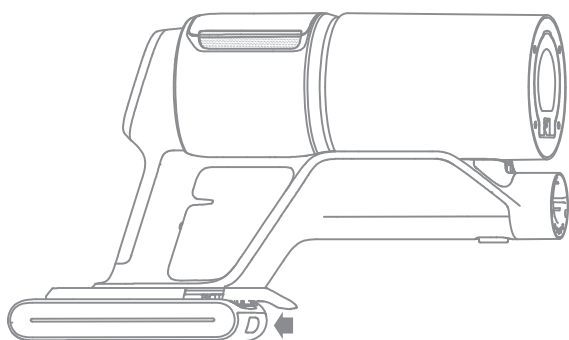
4. Cuando el cepillo giratorio esté sucio, enjuaguelo con agua limpia hasta que quede limpio. A continuación, coloque el cepillo giratorio en posición vertical durante al menos 24 horas hasta que esté completamente seco.



Reemplazo del paquete de baterías

La aspiradora contiene un pack de batería de ion de litio recargable y extraíble que cuenta con un número limitado de ciclos de recarga. Tras un uso prolongado, el pack de batería dejará de poder realizar una carga. Si esto ocurre, significará que el pack de batería ha alcanzado el fin de su vida útil y deberá sustituirlo.

1. Presione el botón de liberación del paquete de baterías y deslícelo hacia la derecha para retirarlo.
2. Instale el nuevo pack de batería.

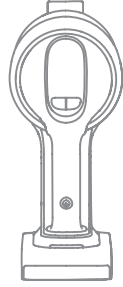


Preguntas frecuentes

Si el aspirador no funciona correctamente, consulte la siguiente tabla de posibles soluciones.









Averías comunes	Posible causa	Solución
La aspiradora no funciona.	No tiene batería o le queda poca.	Cargue completamente la aspiradora y reanude el uso.
	Activa el modo de protección contra sobrecalentamiento debido a una obstrucción.	Espere hasta que el aspirador se enfríe, luego reactívelo.
	La abertura de succión o el conducto de aire está bloqueado.	Limpie cualquier obstrucción de la abertura de succión o del conducto de aire.
La potencia de succión disminuye.	El compartimento de polvo está lleno y/o el filtro está obstruido.	Vacíe el depósito del polvo y limpie el conjunto del filtro.
	El accesorio ensamblado está bloqueada.	Despeje cualquier bloqueo en el accesorio ensamblado.
El motor hace un ruido raro.	La abertura de succión principal o la varilla extensible está bloqueada.	Limpie cualquier obstrucción en la abertura de succión principal o en la Varilla extensible.
El indicador de batería no se enciende durante la carga.	El cargador no está conectado a la aspiradora.	Asegúrese de que el cargador esté bien conectado.
	La batería está totalmente cargada y cambió al modo de suspensión.	Puede utilizar la aspiradora como de costumbre.
	Si el problema persiste después de descartar las dos posibilidades anteriores, póngase en contacto con el servicio posventa para obtener ayuda.	
La batería se carga lentamente.	La temperatura de la batería es demasiado alta o baja.	Espere a que la temperatura de la batería se normalice y reanude el uso.
Las luces LED del cepillo multisuperficie y del cepillo de rodillo suave con iluminación no funcionan.	Las luces LED están dañadas.	Póngase en contacto con el departamento de posventa para el mantenimiento.

Indicador de estado de la batería

Estado	Posible causa	Solución	
El indicador se pone de color rojo después de encender la aspiradora.	El pack de batería está dañado.	Póngase en contacto con el departamento de posventa para el mantenimiento.	
El indicador se pone de color rojo parpadeante cuando se carga la aspiradora.	El cargador no es compatible.	Utilice únicamente el cargador original para cargar la aspiradora.	
El indicador se pone de color blanco parpadeante cuando la aspiradora está en uso.	Sin batería.	Por favor, recárguela a tiempo.	

Solución de Problemas

Si la aspiradora no funciona correctamente, en la pantalla aparecerá un mensaje de error. Consulte la sección de solución de problemas para encontrar la solución.

Icono del Error	Mensaje del Error	Solución
	Batería baja	Por favor, recárguela a tiempo.
	Sin batería	Por favor, recárguela a tiempo.
	La temperatura de la batería es demasiado alta	Espere a que la temperatura de la batería se normalice y reanude el uso.
	Conducto de aire bloqueado	Compruebe si el depósito de polvo, la alargadera, el cepillo multisuperficie, el cepillo de rodillo suave con iluminación o el minicepillo motorizado están bloqueados.
	Cepillo giratorio atascado	Consulte la sección (Limpieza del cepillo multisuperficie) para limpiar los residuos y cabellos atascados alrededor del rodillo del cepillo.
	El filtro está caducando	Por favor, sustituya el filtro a tiempo.
	Sustituya el filtro	Después de sustituir el filtro, consulte [Configuración] para restablecer el filtro.
	Error	Póngase en contacto con el departamento de posventa para el mantenimiento.

Especificaciones

Aspiradora			
Modelo	VZV16A	Potencia nominal	715 W
Tensión de carga	34 V ---	Tensión nominal	29,6 V ---
Tiempo de carga	Alrededor de 3,5 horas		
Cepillo Multisuperficie		Mini-Cepillo Motorizado	
Modelo	VMBZ	Modelo	VMMY
Potencia nominal	40 W	Potencia nominal	20 W
Tensión nominal	25,2 V ---	Tensión nominal	24 V ---
Cepillo de rodillo suave con iluminación			
Modelo	VBRW	Potencia nominal	40 W
Tensión nominal		25,2 V ---	
Cargador			
Modelo	ZD024M340090US		
Entrada	100V-240 V \sim 50/60 Hz 0,8 A		
Salida	34 V --- 0,9 A		
Paquete de batería de ion de litio recargable			
Modelo	V2405-8S1P-GYA	Tensión nominal	29,6 V ---
Capacidad real	2700 mAh	Capacidad nominal	2850 mAh
Energía	79,92 Wh		

El pack de batería de ion de litio contiene sustancias perjudiciales para el medio ambiente. Antes de desechar la aspiradora, quite el pack de batería y deséchelo o recíclalo siguiendo las leyes y reglamentos locales del país o región en el que se use.

