

Dreame Z20 Station

**Cordless Stick Vacuum
with Auto Empty
User Manual**

THANK YOU

FOR PURCHASING THIS DREAME VACUUM CLEANER.

Registration Quick Start

Welcome to register a Dreame account by scanning the QR code.

You are available for the **User Manual** and **Special Offers**.



The high-quality product is engineered for optimal performance. If you have any questions on the product, please contact us: support.us@dreame.tech

EN	User Manual	1
CFR	Manuel d'utilisation	24
AES	Manual de Usuario	47

Safety Information

IMPORTANT SAFETY INSTRUCTIONS

When using an electrical appliance, basic precautions should always be followed, including the following:

READ ALL INSTRUCTIONS BEFORE USING (THIS APPLIANCE). Failure to follow the warnings and instructions may result in electric shock, fire and/or serious injury.

WARNING - To reduce the risk of fire, electric shock, or injury:

- Do not use outdoors or on wet surfaces.
- Do not allow to be used as a toy. Close attention is necessary when used by or near children, pets or plants.
- Use only as described in this manual. Use only manufacturer's recommended attachments.
- Do not use with damaged cord or plug. If appliance is not working as it should, has been dropped, damaged, left outdoors, or dropped into water, return it to a service center.
- Do not pull or carry by cord, use cord as a handle, close a door on cord, or pull cord around sharp edges or corners.
- Do not run appliance over cord. Keep cord away from heated surfaces.
- Do not unplug by pulling on cord. To unplug, grasp the plug, not the cord.
- Do not handle charger, including charger plug, and charger terminals with wet hands .Do not put any object into openings.
- Do not use with any opening blocked; keep free of dust, lint, hair, and anything that may reduce air flow.
- Keep hair, loose clothing, fingers, and all parts of body away from openings and moving parts.
- Use extra care when cleaning on stairs.
- Do not use to pick up flammable or combustible liquids, such as gasoline, or use in areas where they may be present.
- Do not pick up anything that is burning or smoking, such as cigarettes, matches, or hot ashes.
- Do not use without dust cup, dust bag and/or filters in place.
- Prevent unintentional starting. Ensure the switch is in the off-position before connecting to battery pack, picking up or carrying the appliance. Carrying the appliance with your finger on the switch or energizing appliance that have the switch on invites accidents.

- Disconnect the battery pack from the appliance before making any adjustments, changing accessories, or storing appliance. Such preventive safety measures reduce the risk of starting the appliance accidentally.
- Recharge only with the charger specified by the manufacturer. A charger that is suitable for one type of battery pack may create a risk of fire when used with another battery pack.
- Use appliances only with specifically designated battery packs. Use of any other battery packs may create a risk of injury and fire.
- When battery pack is not in use, keep it away from other metal objects, like paper clips, coins, keys, nails, screws or other small metal objects, that can make a connection from one terminal to another. Shorting the battery terminals together may cause burns or a fire.
- Under abusive conditions, liquid may be ejected from the battery; avoid contact. If contact accidentally occurs, flush with water. If liquid contacts eyes, additionally seek medical help. Liquid ejected from the battery may cause irritation or burns.
- Do not use a battery pack or appliance that is damaged or modified. Damaged or modified batteries may exhibit unpredictable behavior resulting in fire, explosion or risk of injury.
- Do not expose a battery pack or appliance to fire or excessive temperature. Exposure to fire or temperature above 130°C may cause explosion.
- Follow all charging instructions and do not charge the battery pack or appliance outside of the temperature range specified in the instructions. Charging improperly or at temperatures outside of the specified range may damage the battery and increase the risk of fire.
- Have servicing performed by a qualified repair person using only identical replacement parts. This will ensure that the safety of the product is maintained.
- Do not modify or attempt to repair the appliance or the battery pack except as indicated in the instructions for use and care.
- Do not use and store in extremely hot or cold environments (below 0°C/32°F or above 40°C/104°F). Please charge the cordless vacuum cleaner in temperature above 0°C/32°F and below 40°C/104°F.
- Always turn off this appliance before connecting or disconnecting motorized nozzle.
- Risk of injury. Brush may start unexpectedly. Disconnect battery pack before cleaning or servicing.
- Turn off all controls before unplugging.
- Unplug from outlet when not in use and before connecting dust-removal hub onto the base, cleaning or servicing.
- The battery is replaceable. Only use the approved battery type (Model V2405-8S1P-GYA). The lithium battery type suitable for dust-removal hub to charge is the approved battery type. Failing to do so may cause the lithium-ion battery to catch fire.

SAVE THESE INSTRUCTIONS

- Household use only.
- To reduce the risk of electric shock, the dust-removal hub of the appliance has a polarized plug (one blade is wider than the other). This plug will fit in a polarized outlet only one way. If the plug does not fit fully in the outlet, reverse the plug. If it still does not fit, contact a qualified electrician to install the proper outlet. Do not change the plug in any way.



Read operator's manual



For indoor use only



time-lag miniature fuse-link

where T3.15A is the symbol for the time/current characteristic

	Direct current
	Alternating current

Caution:

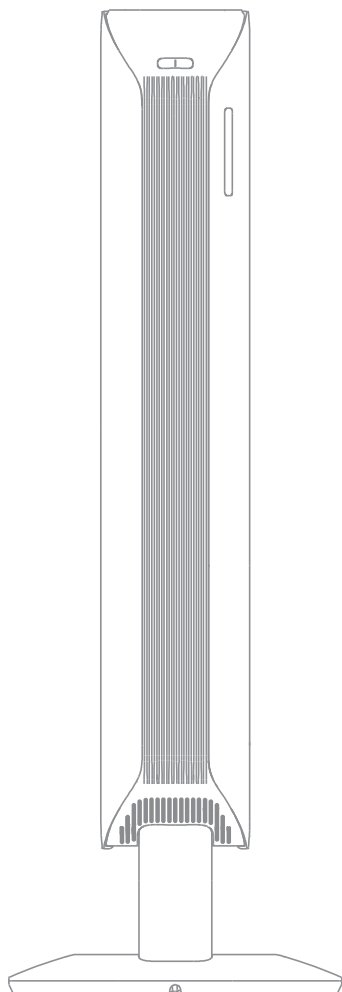
This device complies with Part 15 of the FCC Rules / Innovation, Science and Economic Development Canada's licence-exempt RSS(s). Operation is subject to the following two conditions:

1. this device may not cause harmful interference.
2. this device must accept any interference received, including interference that may cause undesired operation.

- Changes or modifications not expressly approved by the party responsible for compliance could void the user's authority to operate the equipment.
This equipment has been tested and found to comply with the limits for a Class B digital device, pursuant to part 15 of the FCC Rules.
- These limits are designed to provide reasonable protection against harmful interference in a residential installation.
- This equipment generates uses and can radiate radio frequency energy and, if not installed and used in accordance with the instructions, may cause harmful interference to radio communications.
- However, there is no guarantee that interference will not occur in a particular installation.
- If this equipment does cause harmful interference to radio or television reception, which can be determined by turning the equipment off and on, the user is encouraged to try to correct the interference by one or more of the following.

Product Overview

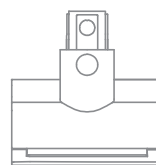
Accessories



Dust-Removal Hub



Flexible Adapter



Motorized Mini-Brush



Extension Hose



Dust Collection Bag x2
(x1 pre-installed)



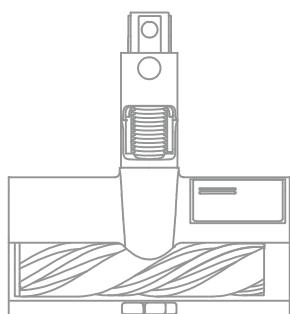
Extension Rod



Rotating Soft Dusting Brush



Accessory Storage Mount



Illumination Omni-Brush



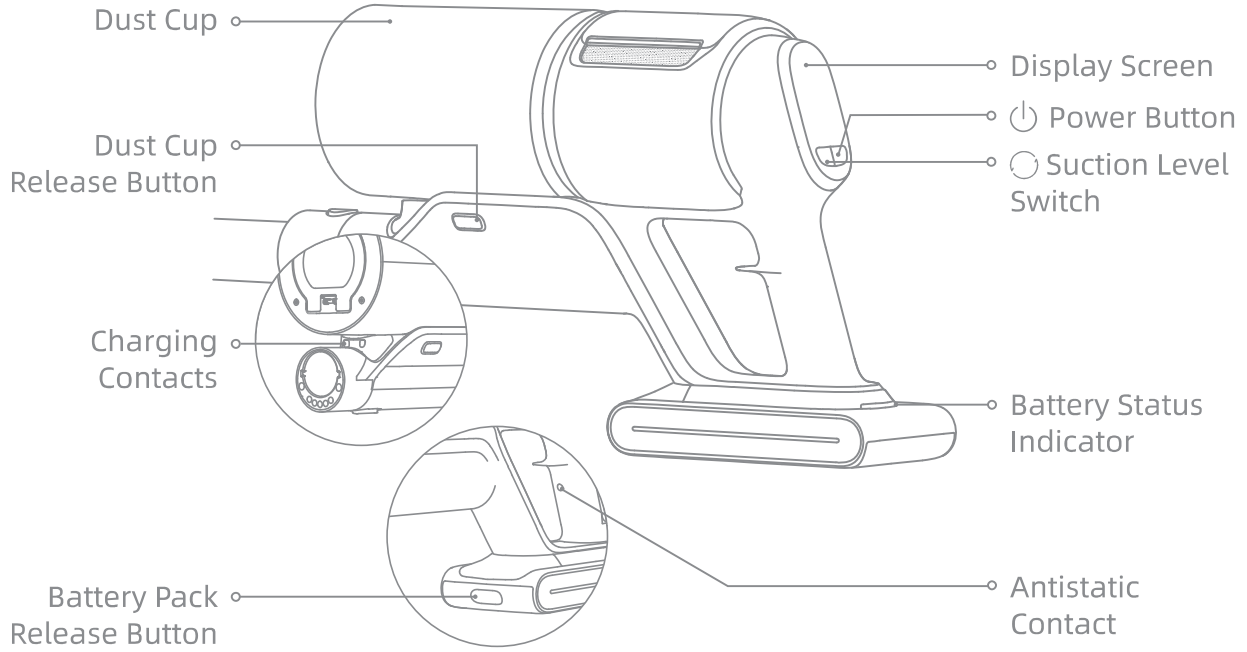
Combination Tool

Note: The illustrations in this manual are indicative only. The actual product may differ.

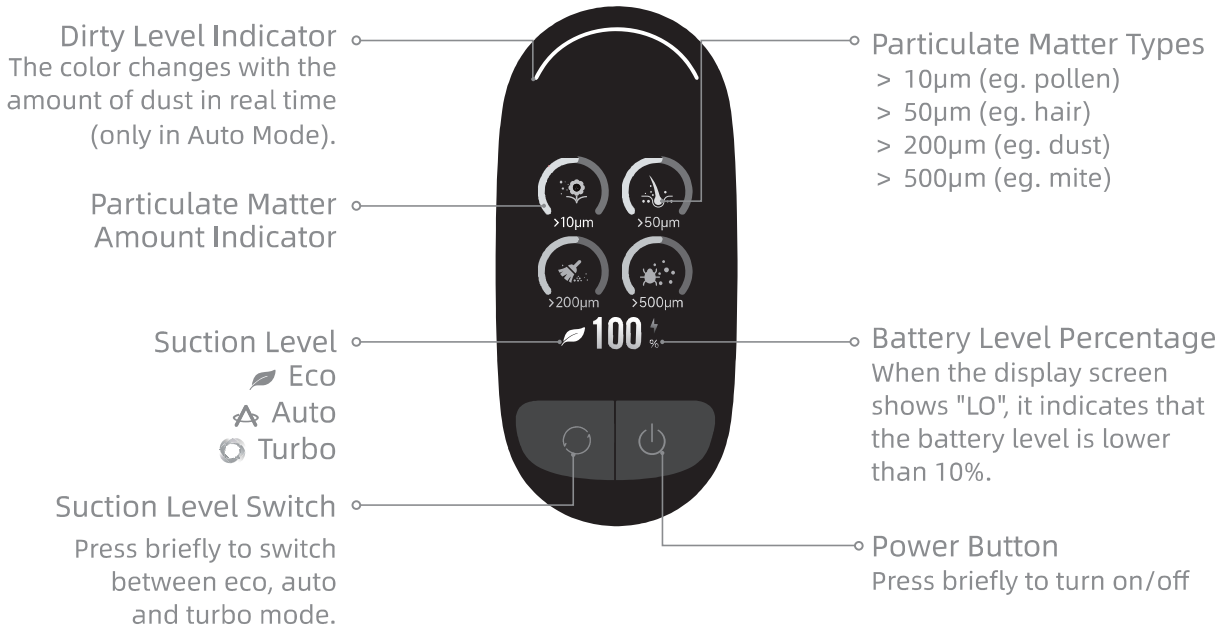
Product Overview

Component Names

Vacuum Body

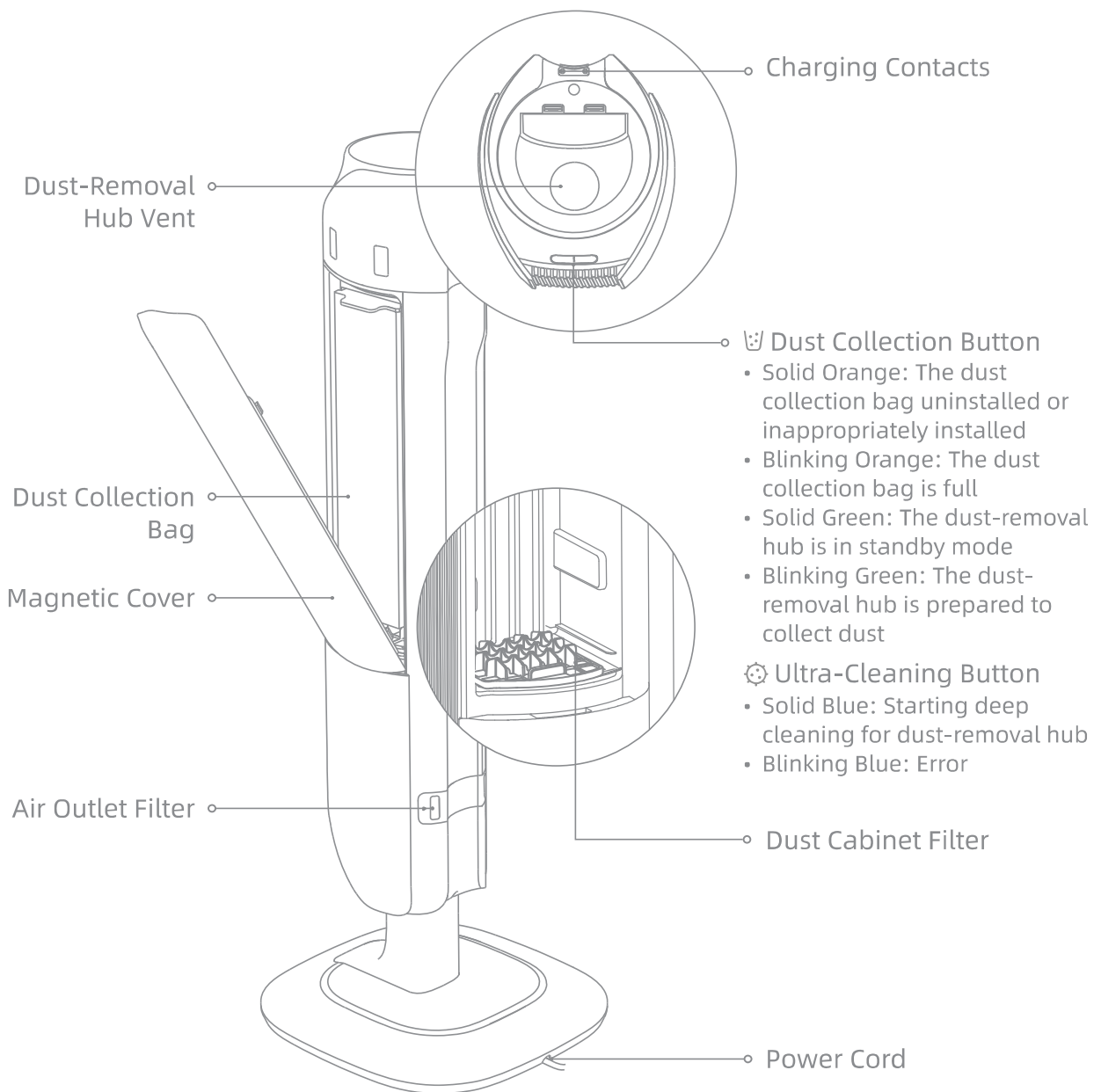


Display Screen



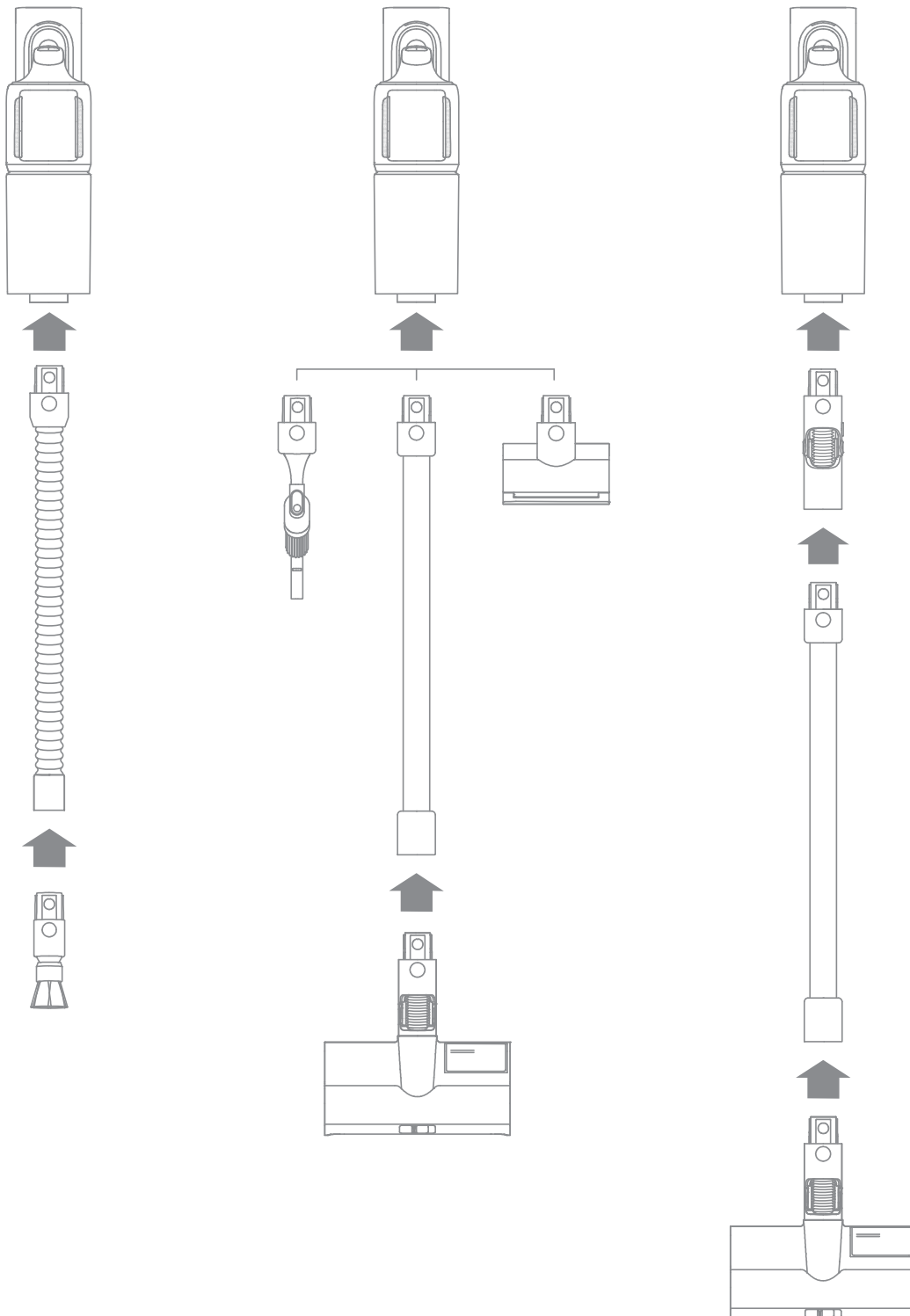
Product Overview

Dust-Removal Hub



EN Installation

Installing the Accessories



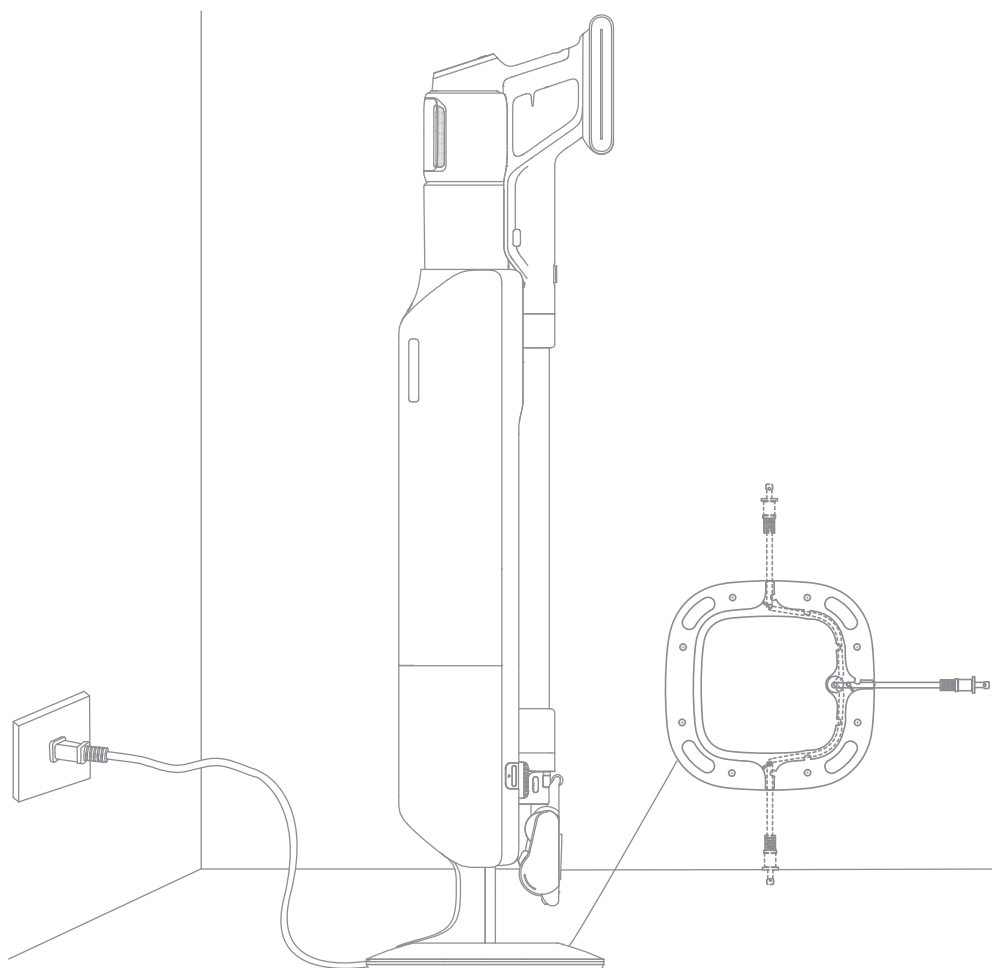
Note:

- It is not recommended to use the motorized mini-brush with the extension rod.
- Please install the accessories according to the actual cleaning needs.
- It is recommended to use the flexible adapter when cleaning the low-lying furniture and not recommended to be connected to the vacuum body all the time for daily floor cleaning.

Charging

Charging with the Dust-Removal Hub

Place the dust collection station near a power supply and connect the power cord. Align the vent of the dust cup with the dust-removal hub to position the vacuum. Fully charge the vacuum before first use.



Note:

- The vacuum cannot be used while charging.
- When fully charged, the battery status indicator will turn off after 5 minutes and the vacuum will enter the power saving mode.
- This will take about 3.5 hours. Vacuuming at Turbo mode for a prolonged period will cause the battery to heat up, which increases charging time. Allow the vacuum to cool down for 30 minutes before charging it.
- When the vacuum is not in use, it can be placed on the dust-removal hub. The outlet of the power cord can be adjusted according to users' needs.

Charging

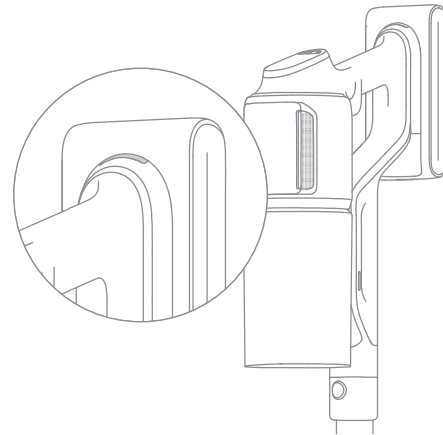
Battery Status Display

Battery Status Indicator

- ☀️ Blinking white
- Solid white
- Off

Charging

- Fully charged
- ☀️ Charging
- Standby Mode



Display Screen

The number on the display screen represents the current battery level in a percentage during charging. When the number becomes 100, the battery is fully charged.



How to Use

Settings




In the standby state, press and hold the suction level switch ○ for 3 seconds to enter the setting interface. Briefly press ○ to select an option, and press and hold ○ for 3 seconds to confirm.

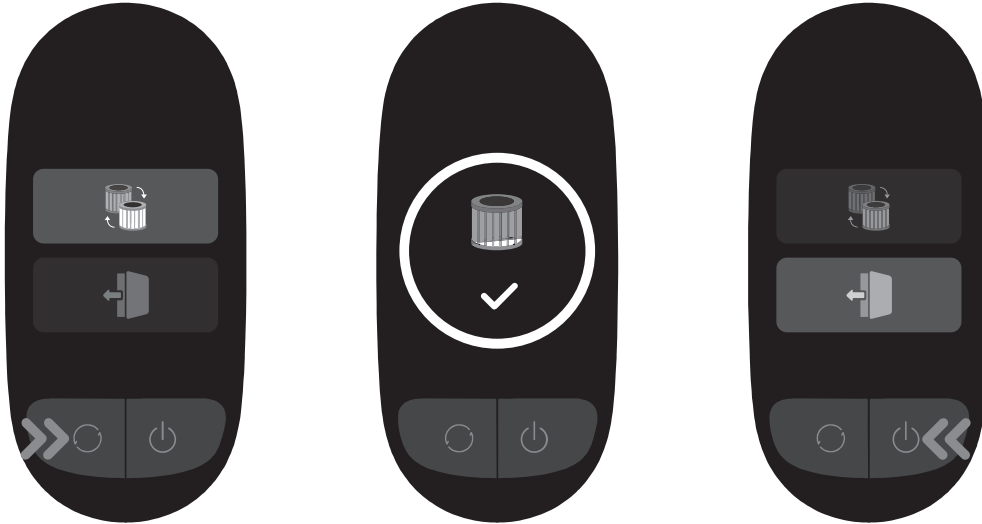
Reset Filter

Press and hold the suction level switch ○ for 3 seconds to select resetting filter and the filter will automatically complete the reset.

How to Use

Exit




Press the power button  when it is in the setting interface to return to the main interface directly, or select , then press and hold the suction level switch  for 3 seconds to return to the main interface.



Note:

- If there is no operation for more than 15 seconds, the screen will turn off, and it will return to the main interface when lit up again.
- If the vacuum is not working properly, the screen display will show an error message. Please refer to the troubleshooting table to find your solution.

Starting Cleaning

Press the power button  to start operating. After the vacuuming is completed, press the  button and the amount of various particle matters vacuumed will show on the screen. Press the button  to switch levels between auto, eco and turbo and the corresponding icon will show on the screen.





How to Use


Note:

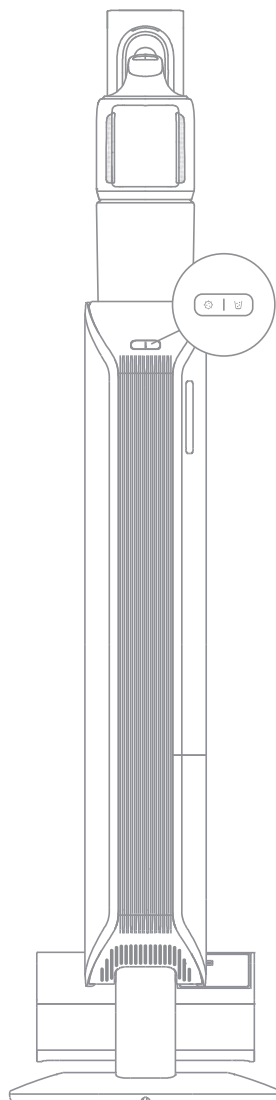
- When any cleaning mode stops running, the vacuum cleaner will default to auto mode when it is started again. Factory default setting is the auto mode.
- Only when running in auto mode, the suction power and the color of the dirty level indicator change with the amount of particulate matter in real time.

Starting Ultra Cleaning

Press and hold the ultra-cleaning button  for 5 seconds to start deep cleaning of the dust-removal hub while dust collection is active. Press and hold the ultra-cleaning button  for 5 seconds again to turn it off.

Starting Dust Collection

Align the vent of the dust cup with the dust-removal hub to position the vacuum. The dust-removal hub will start dust collection automatically. Briefly press the dust collection button  to stop or restart the dust collection.



How to Use

Note:

- The vacuum defaults to automatic dust collection. To switch to manual dust collection, remove the vacuum from the dust-removal hub and press and hold the dust collection button for 5 seconds. The dust collection button will blink green five times to indicate a successful switch. Press the dust collection button for 5 seconds again to switch back to automatic dust collection.
- If the dust collection bag reaches capacity or the air duct is blocked during the dust collection process, the dust-removal hub will stop working after the process is completed and cannot collect dust again.
- If there is a lot of garbage in the dust cup, please perform the dust collection process several times to achieve better cleaning results.

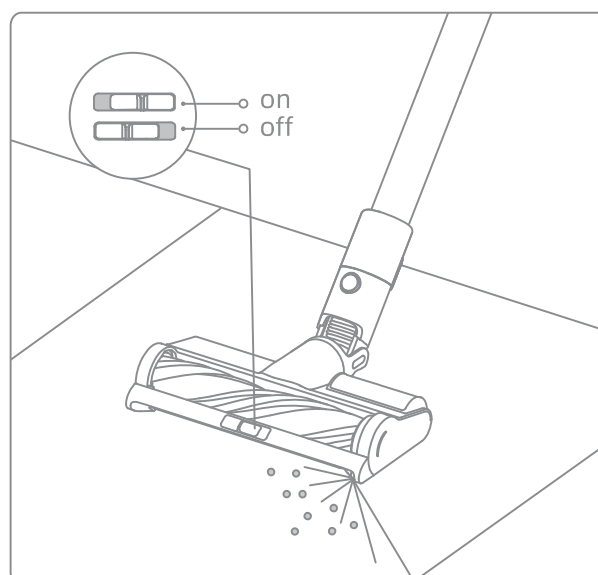
Using Different Accessories

Illumination Omni-Brush

Suitable for cleaning hard floor, marble, tile, low and medium pile carpet and more.

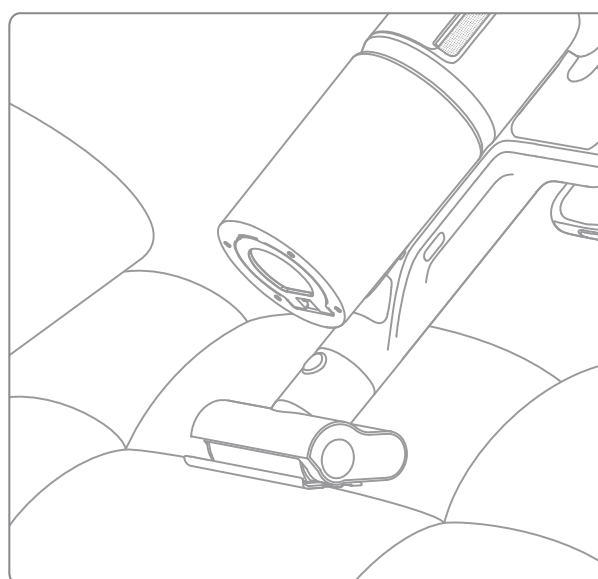
When using on tiles, wooden floors or other hard surfaces or for vacuuming coffee beans, pop corn and other pellets, push the switch to the other side.

When cleaning the carpet, please push the switch to the off position.



Motorized Mini-Brush

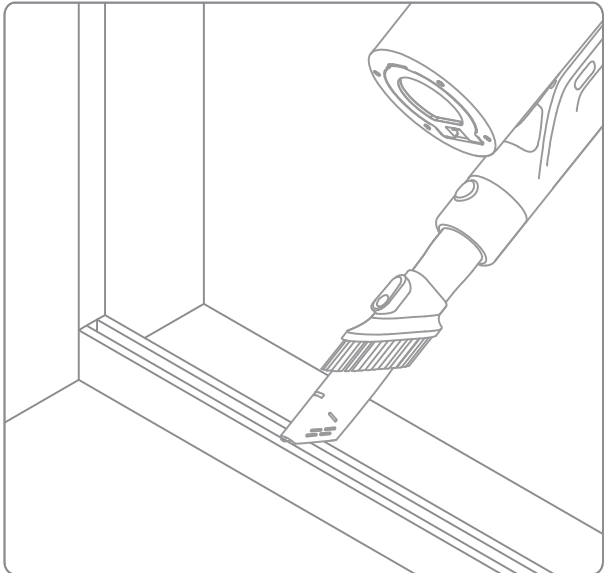
For vacuuming dirt, pet hair, and other stubborn debris from sofas, bedding, and other fabric surfaces. It is not recommended to vacuum on fragile surfaces, such as silk.



How to Use

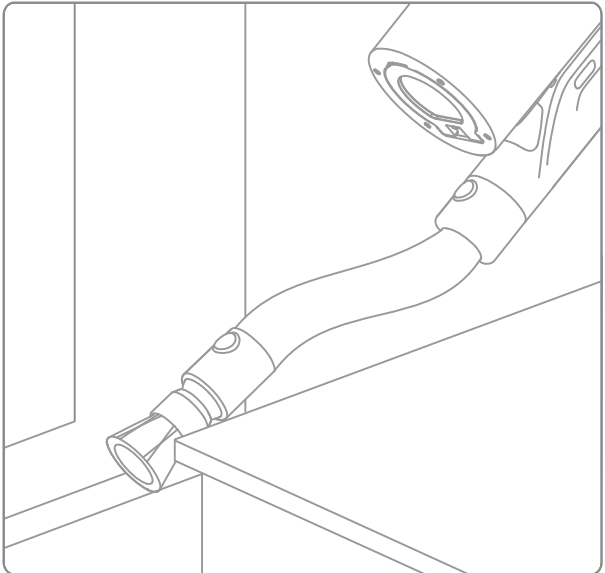
Combination Tool

Suitable for vacuuming cracks, corners of doors and windows, stairs, and other hard-to-reach places.



Rotating Soft Dusting Brush

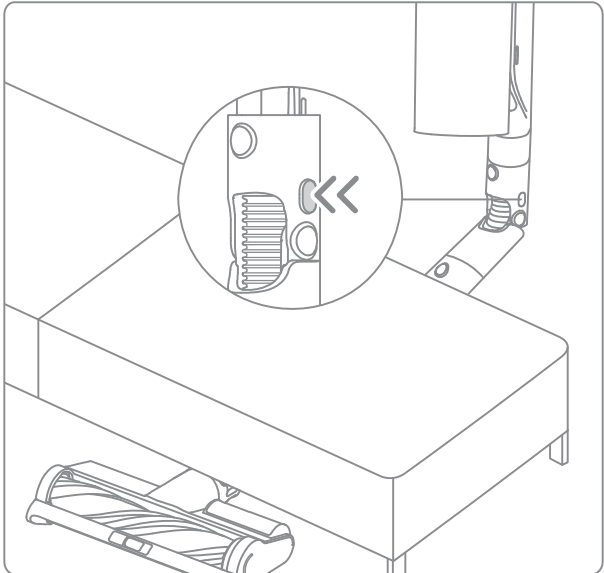
It can be connected to the extension hose. With a rotatable head, it is suitable for cleaning delicate and fragile surfaces and corners such as glass, displays and keyboards.



Flexible Adapter

Bending and extending the rod with one click can easily reach under low-lying furniture, such as bed and sofa.

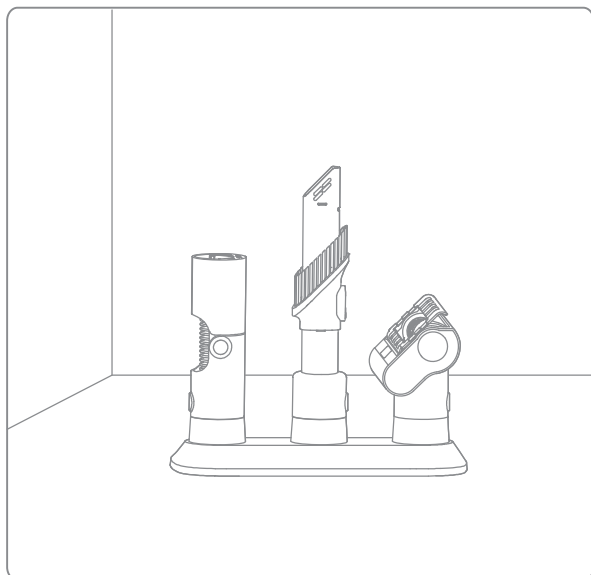
Note: It is recommended to use the flexible adapter when cleaning the low-lying furniture and not recommended to be connected to the vacuum body all the time for daily floor cleaning.



How to Use

Accessory Storage Mount

When not in use, the accessories can be placed on the storage mount as shown in the diagram.



Note:

- If any rotating part becomes stuck, the vacuum may shut off automatically. Remove any trapped foreign objects, then resume use.
- When the battery becomes overheated, the vacuum will automatically shut off. Wait until the battery temperature returns to normal, then resume use.

Care & Maintenance

Tips:

- Always use genuine parts to keep your warranty from being void.
- If the filter or nozzle becomes clogged, the vacuum will stop working shortly after being turned on. Clear the tube to restore functionality.
- Before cleaning the dust cup, please confirm that the plug is disconnected and keep the vacuum's power button in the off position.
- If the vacuum is not used for an extended period, fully charge it, unplug the power cord, remove the battery, and store it in a cool, low-humidity environment away from direct sunlight. To avoid over-discharging the battery, recharge the battery at least once every three months.

Cleaning the Vacuum

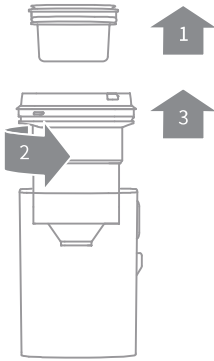
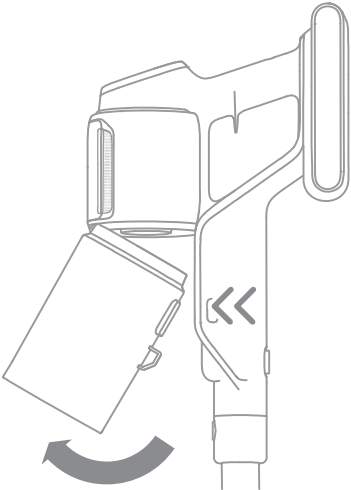
Wipe the vacuum with a soft dry cloth.

Care & Maintenance

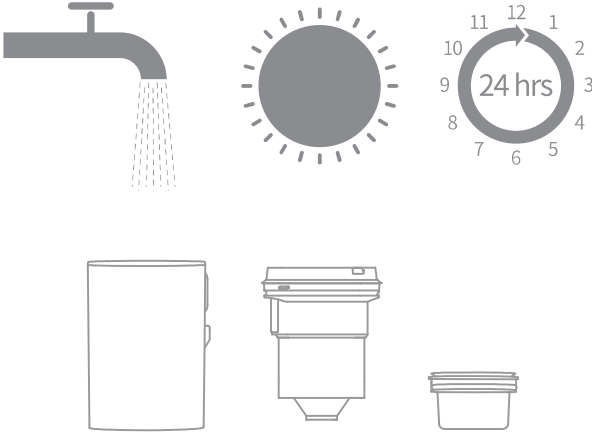
Cleaning the Dust Cup, Pre-Filter, and Cyclone Assembly

1. Press the dust cup release button and remove it from the vacuum.

2. Remove the pre-filter first, and then rotate the cyclone system to lift it out.



3. Rinse the cyclone assembly, pre-filter, and dust cup until they are clean. After washing, air dry for at least 24 hours.



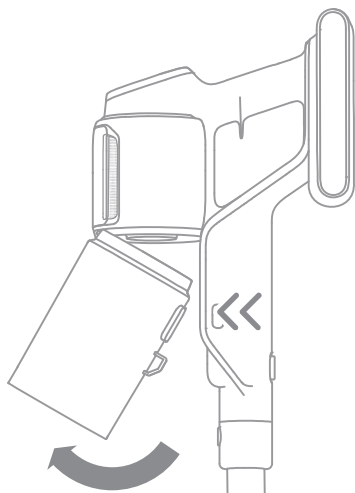
Note:

- Please clean the dust cup as needed.
- It is recommended to clean the cyclone system and pre-filter at least once every 3 to 4 months.

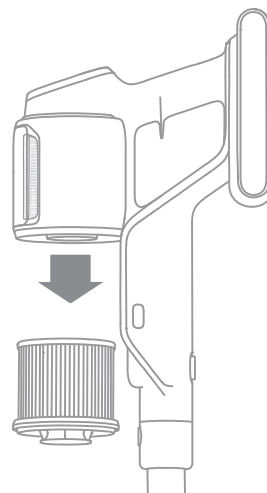
Care & Maintenance

Cleaning the Filter

1. Remove the dust cup as shown in the figure.



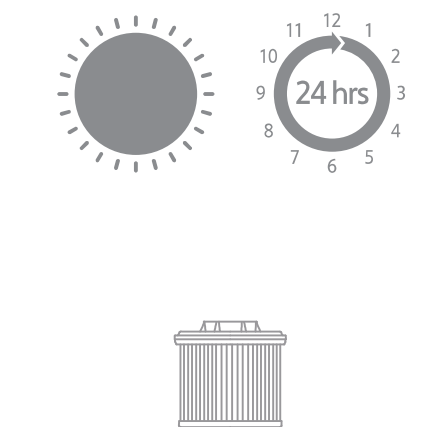
2. Remove the filter from the vacuum by pulling it down in the direction shown in the figure.



3. Rinse the filter with rotating it 360°. Lightly tap the filter several times to remove any debris caught in it.



4. Allow the filter to air dry for 24 hours.



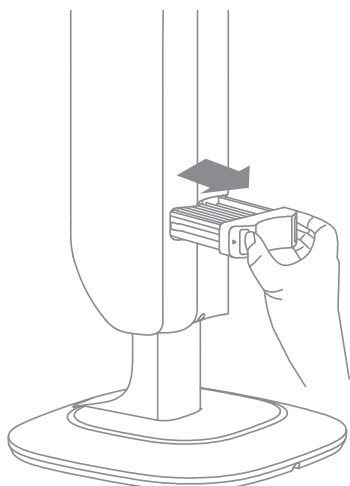
Note:

- Only use clean water to wash the filter.
- Do not attempt to clean the filter with a brush or finger.
- It is recommended to clean the filter once every 4 to 6 months.

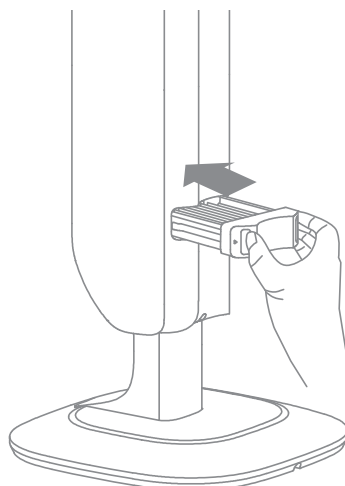
Care & Maintenance

Replacing the Air Outlet Filter

1. Remove the air outlet filter as shown in the figure.



2. Install a new one.

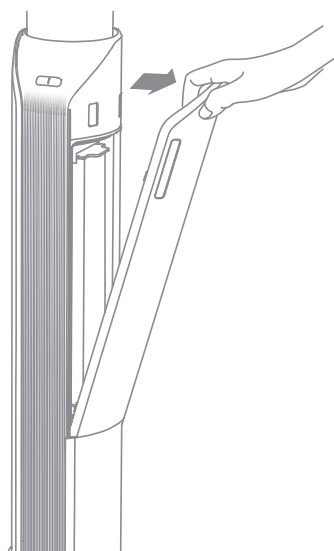


Note:

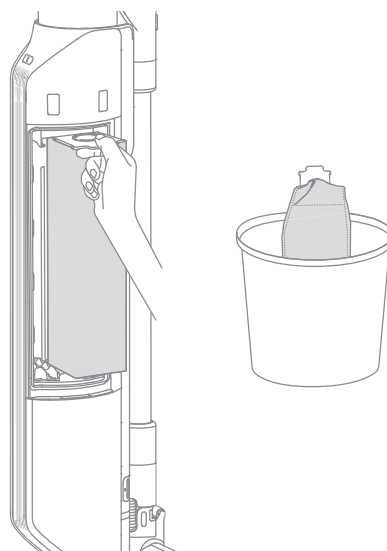
- The air outlet filter is non washable.
- It is recommended to replace the filter once every 4 to 6 months.

Replacing the Dust Collection Bag

1. Remove the magnetic cover from the dust-removal hub.

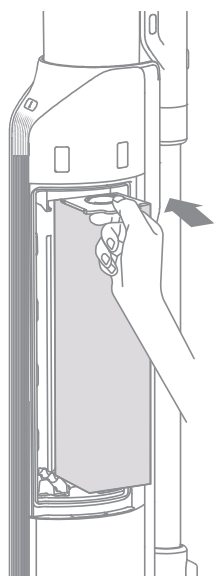


2. Pull out the dust collection bag and discard it.

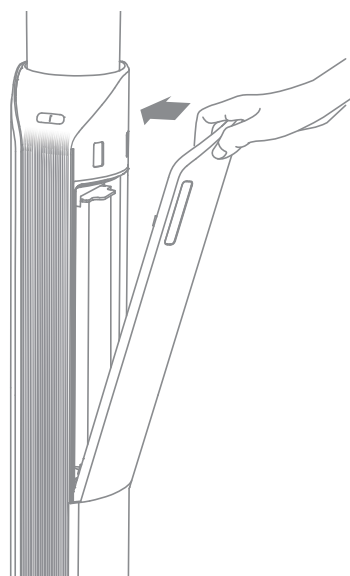


Replacing the Dust Collection Bag

3. Replace a new dust collection bag. Insert the bag handle into the card slot to ensure it is installed into place.



4. Re-install the magnetic cover. Ensure it is properly installed and the dust-removal hub is fully sealed.



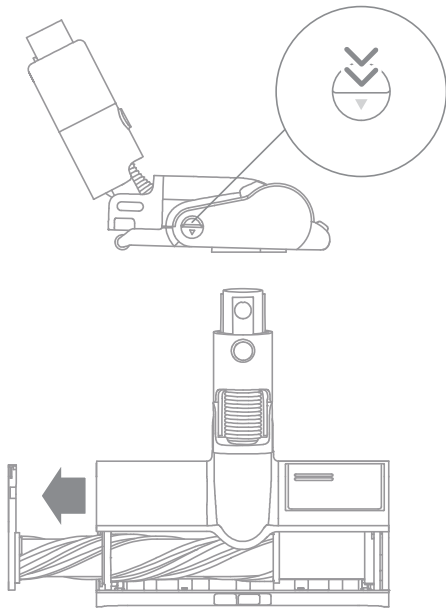
Note:

- When the dust collection button blinks orange, it indicates that the dust collection bag is full and needs to be replaced.
- It is recommended to replace the dust collection bag every three months.

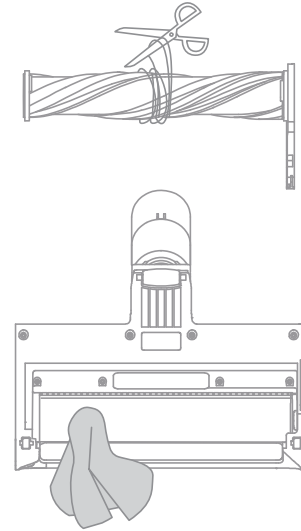
Care & Maintenance

Cleaning the Illumination Omni-Brush

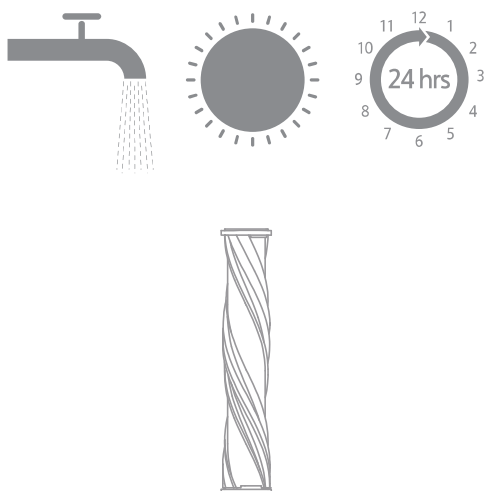
1. As shown in the figure, push the lock down to remove the roller from the brush.



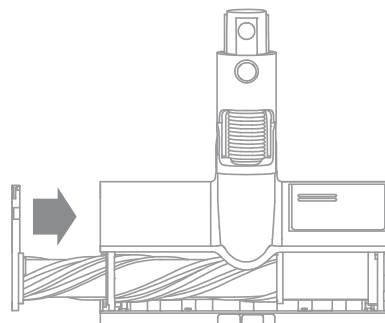
2. Use scissors to cut off the hairs and fibers that get stuck on the brush roller. Wipe the dust from the notch, the sealing strips on both sides and the transparent cover with a dry cloth or paper towel.



3. When the brush roller is dirty, rinse it with clean water until it is clean. Then stand the brush roller upright for at least 24 hours until it is fully dry.



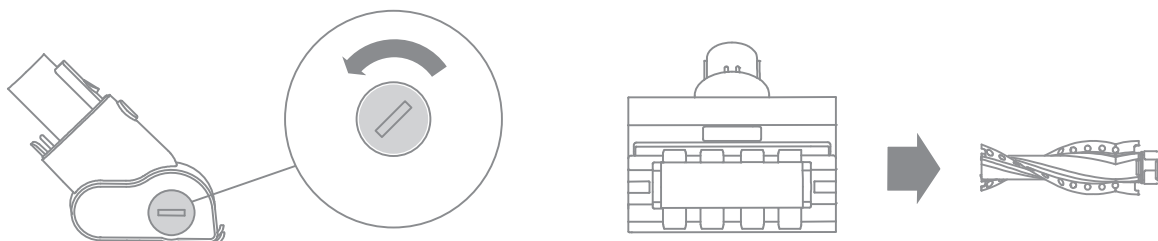
4. Once the brush roller is dry, reinstall it by following the disassembly steps in reverse.



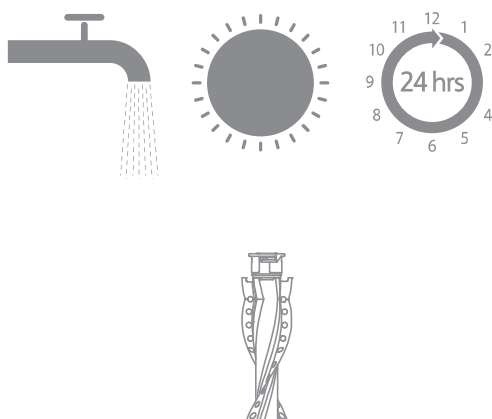
Care & Maintenance

Cleaning the Motorized Mini-Brush

1. Use a coin as illustrated to rotate the lock counterclockwise until you hear a click. After unlocking the motorized mini-brush, remove the brush roller.



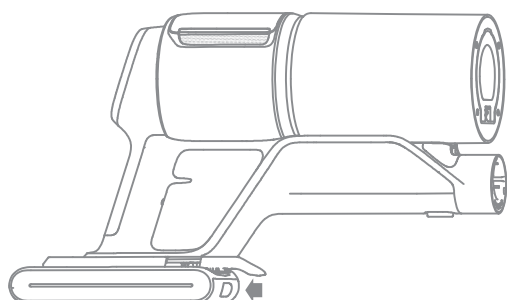
2. Rinse and clean the brush roller. Stand the brush roller upright in a well-ventilated area for at least 24 hours until it is fully dry.



Replacing the Battery Pack

The vacuum contains a removable rechargeable lithium-ion battery pack which has a limited number of recharge cycles. After extended use, the battery pack may no longer hold a charge. If this happens, it means the battery pack has reached the end of its life cycle and needs to be replaced.

1. Press down the battery pack release button and slide the battery pack to the right, as illustrated, to remove it.
2. Install the new battery pack.

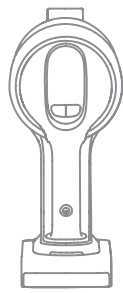


EN FAQ

If the vacuum is not working properly, please refer to the table below.









Errors	Possible Causes	Solutions
The vacuum does not work.	The appliance is out of battery or its battery level is low.	Fully charge the vacuum, then resume use.
	Overheat protection mode triggered by a blockage.	Clean the suction opening or air duct. Wait until the vacuum cools down, then reactivate it.
	The suction opening or air duct is blocked.	Clear any blockage from the suction opening or air duct.
Weak suction force.	The dust cup is full and/or filter assembly is clogged.	Empty the dust cup and/or clean the filter assembly.
	An attachment is blocked.	Clear any blockage in the attachment.
The motor makes a strange noise.	Main suction opening or extension rod is blocked.	Clear any blockage in the main suction opening or extension rod.
The battery indicator does not light up when charging.	The vacuum is not properly placed on the dust-removal hub.	Make sure that the charging contacts of the vacuum is aligned with that of the dust-removal hub.
	The power plug is not properly connected.	Please check if the power plug is securely connected.
	If the problem persists after ruling out the above two possibilities, please contact the after-sales service department for maintenance.	
Charging too slow.	The battery temperature is too low or too high.	Wait until the battery temperature returns normal, and then recharge.
The LED lights of the illumination omni-brush do not work.	LED lights are damaged.	Please contact the after-sales department for maintenance.
The dust collection button is solid orange.	The dust collection bag is uninstalled or inappropriately installed.	Before dust collecting starts, confirm that the dust collection bag has been installed or installed in place.
The dust collection button is blinking orange.	The dust collection bag is full.	Replace a new dust collection bag. Then press and hold the dust collection button for 3 seconds to troubleshoot the problem.
The ultra-cleaning button is blinking blue.	The ultra-cleaning is malfunction.	Please contact the after-sales department for maintenance.

Battery Status Indicator

Status	Possible Causes	Solutions	
The indicator is red after turning on the vacuum.	Battery pack is damaged.	Please contact the after-sales department for maintenance.	
The indicator blinks red quickly when charging the vacuum.	The charger is incompatible.	Only use the original charger to charge the vacuum.	
The indicator blinks white when using the vacuum.	Out of Battery.	Please charge in time.	

Troubleshooting

If the vacuum is not working properly, the screen display will show an error message. Please refer to the troubleshooting table to find your solution.

Error Icon	Error Message	Solutions
	Low battery	Please charge in time.
	Out of Battery	Please charge in time.
	Battery temperature is too high	Wait until the battery's temperature returns normal, then resume use.
	Air duct blocked	Check whether the dust cup, extension rod, multi-surface brush, illumination soft roller brush or motorized mini-brush is blocked.
	Brush roller stuck	Refer to the [Cleaning the Multi-Surface Brush] section to clean the debris and hair tangled on the brush roller.
	Filter is expiring	Please replace the filter in time.
	Replace the filter	After replacing the filter, please refer to the [Settings] to reset filter.
	Error	Please contact the after-sales department for maintenance.

Specifications

Vacuum Cleaner			
Model	VZV25A	Charging Time	approximately 3.5 hours
Rated Power	715 W	Rated Voltage	29.6 V DC
Illumination Omni-Brush			
Model	VMBB		
Rated Power	70 W	Rated Voltage	25 V DC
Motorized Mini-Brush			
Model	VMMY		
Rated Power	20 W	Rated Voltage	24 V DC
Dust-Removal Hub			
Model	VCB2		
Input	120 V \sim 60 Hz , 8 A	Output	35 V DC 0.99 A
Rated Power	1050 W		
Rechargeable Lithium-Ion Battery Pack			
Model	V2405-851P-GYA	Nominal Voltage	29.6 V DC
Rated Capacity	2700 mAh	Nominal Capacity	2850 mAh
Energy	79.92 Wh		

The lithium-ion pack contains substances that are hazardous to the environment. Before disposing of the vacuum, please remove the battery pack, then discard or recycle it in accordance with local laws and regulations of the country or region it is used in.

IMPORTANTES MESURES DE SÉCURITÉ

L'utilisation d'un appareil électrique demande certaines précautions:

LIRE TOUTES LES INSTRUCTIONS AVANT DE FAIRE FONCTIONNER

(CETAPPAREIL). Le non-respect des mises en garde et des instructions peut causer des chocs électriques, des incendies et/ou des blessures graves.

Avertissement - Pour réduire les risques d'incendie, de choc électrique ou de blessure:

- Ne pas exposer à la pluie, Ranger à l'intérieur.
- Ne pas permettre aux enfants de jouer avec l'appareil. Une attention particulière est nécessaire lorsque l'appareil est utilisé par des enfants ou à proximité de ces derniers.
- N'utiliser que conformément à cette notice avec les accessoires recommandés par le fabricant.
- Ne pas utiliser si le cordon ou la fiche est endommagé. Retourner l'appareil à un atelier de réparation s'il ne fonctionne pas bien, s'il est tombé ou s'il a été endommagé, oublié à l'extérieur ou immergé.
- Ne pas tirer soulever ni trainer l'appareil par le cordon. Ne pas utiliser le cordon comme une poignée, le coincer dans l'embrasure d'une porte ou l'appuyer contre des arêtes vives ou des coins. Ne pas faire rouler l'appareil sur le cordon. Garder le cordon à l'écart des surfaces chaudes.
- Ne pas débrancher en tyrant sur le cordon. Tirer plutôt la fiche.
- Ne pas manipuler le chargeur, y compris la prise du chargeur, et les bornes du chargeur avec les mains mouillées.
- N'insérer aucun objet dans les ouvertures. Ne pas utiliser l'appareil lorsqu'une ouverture est bloquée. S'assurer que de la poussière, de la peluche, des cheveux ou d'autres matières ne réduisent pas le débit d'air.
- Maintenir les cheveux, les vêtements amples, les doigts et toutes les parties du corps à l'écart des ouvertures et des pièces mobiles.
- User de prudence lors du nettoyage des escaliers.
- Ne pas aspirer des liquides inflammables ou combustibles, comme de l'essence, et ne pas faire fonctionner dans des endroits où peuvent se trouver de tels liquides.
- Ne pas aspirer de matières en combustion ou qui dégagent de la fumée, comme des cigarettes, des allumettes ou des cendres chaudes.

- N'utilisez pas l'appareil sans le bac à poussière, le sac à poussière et/ou les filtres en place.
- Emêcher une mise en marche accidentelle. S'assurer que l'interrupteur est à la position arrêt avant de raccorder la batterie, de lever ou de déplacer l'appareil. Transporter l'appareil en gardant un doigt sur l'interrupteur, ou mettre sous tension un appareil dont l'interrupteur est à la position marche peut causer un accident.
- Retirer la batterie de l'appareil avant d'effectuer des réglages, changer les accessoires ou ranger l'appareil. Ces mesures de sécurité ont pour but d'éviter une mise en marche accidentelle de l'appareil.
- Recharger uniquement avec le chargeur prescrit par le fabricant. Un chargeur convenant à un type de batterie peut présenter un risque d'incendie lorsqu'il est utilisé avec une autre batterie.
- Utiliser uniquement les batteries recommandées pour l'appareil. L'utilisation d'autres types de batteries peut présenter un risque de blessure ou d'incendie.
- Lorsque l'appareil n'est pas utilisé, tenir la batterie loin d'objets métalliques comme des trombones, des pièces de monnaie, des clés, des clous, des vis ou autres petits objets qui pourraient établir une liaison entre les bornes. Un court-circuit des bornes des batteries peut causer des brûlures ou un incendie.
- En condition d'usage abusif, du liquide peut s'échapper de la batterie ; éviter tout contact avec ce liquide. En cas de contact accidentel, rincer abondamment avec de l'eau. En cas de contact avec les yeux, consulter également un médecin. Le liquide projeté peut causer des irritations ou des brûlures.
- Ne pas utiliser une batterie ou un appareil endommagé ou qui a été modifié. Des batteries endommagées ou modifiées peuvent avoir un comportement imprévisible pouvant causer un incendie, une explosion ou un risque de blessure.
- Ne pas exposer une batterie ou un appareil à la flamme ou à des températures excessives. L'exposition à une flamme ou à des températures supérieures à 130°C peut causer une explosion.
- Respecter toutes les instructions de chargement et ne pas charger la batterie ou l'appareil à des températures qui ne sont pas incluses dans la gamme de températures indiquées dans la notice d'instructions. Un chargement mal effectué.
- Confier les réparations à une personne qualifiée qui utilisera uniquement des pièces de remplacement identiques. Cette façon de faire garantira la sécurité du produit.
- Ne pas modifier ni tenter de réparer l'appareil ou la batterie sauf comme il est indiqué dans les instructions d'utilisation et d'entretien.
- Ne pas l'utiliser ni le stocker dans des environnements extrêmement chauds ou froids (en dessous de 0°C/32°F ou au-dessus de 40°C/104°F). Veuillez charger l'aspirateur sans fil dans des températures supérieures à 0°C/32°F et inférieures à 40°C/104°F.

- Éteignez toujours l'appareil avant de brancher ou de débrancher la buse motorisée.
- Risque de blessure. La brosse peut démarrer de façon inattendue. Déconnectez la batterie avant de nettoyer ou d'entretenir.
- Éteignez toutes les commandes avant de débrancher l'appareil.
- Débranchez l'appareil lorsqu'il n'est pas utilisé et avant de brancher la station de dépoussiérage sur la base, de la nettoyer ou d'en faire l'entretien.
- La batterie est remplaçable. Utilisez uniquement le type de batterie approuvé (modèle V2405-8S1P-GYA). Le type de batterie au lithium adapté à la charge de la station de dépoussiérage est le type de batterie approuvé. Dans le cas contraire, la batterie lithium-ion risque de s'enflammer.

CONSERVER CES INSTRUCTIONS

- Usage Domestique seulement.
- Afin de réduire le risque de choc électrique, l'embout de dépoussiérage de l'appareil est équipé d'une fiche polarisée (une lame est plus large que l'autre). Cette fiche ne s'insère dans une prise polarisée que dans un seul sens. Si la fiche ne s'insère pas complètement dans la prise, inversez-la. Si elle ne s'insère toujours pas, contactez un électricien qualifié pour qu'il installe une prise appropriée. Ne modifiez en aucun cas la fiche.



Lisez le manuel de l'opérateur



Pour une utilisation à l'intérieur seulement



décalage temporel miniature lien-fusible

où T3,15A est le symbole de la caractéristique du temps/ du courant

— — —	Courant continu
~	Courant alternatif

Attention:

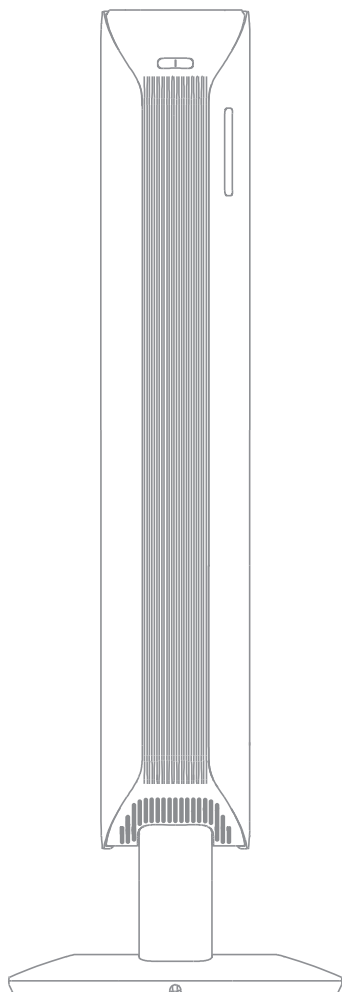
L'émetteur/récepteur exempt de licence contenu dans le présent appareil est conforme aux CNR d'Innovation, Sciences et Développement économique Canada applicables aux appareils radio exempts de licence.

L'exploitation est autorisée aux deux conditions suivantes :

1. L'appareil ne doit pas produire de brouillage;
2. L'appareil doit accepter tout brouillage radioélectrique subi, même si le brouillage est susceptible d'en compromettre le fonctionnement.

Présentation du produit

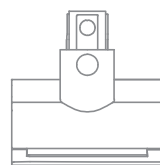
Liste des accessoires



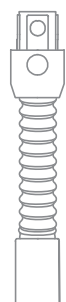
Station de
dépoussiérage



Adaptateur
flexible



Mini-brosse
motorisée



Tuyau
d'extension



Sac de collecte de
poussière x 2
(x 1 préinstallé)



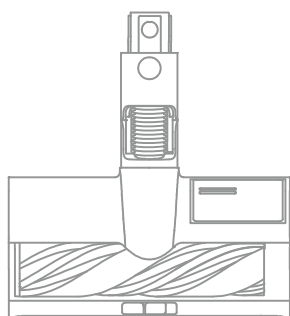
Tige de rallonge



Brosse à
épousseter souple
rotative



Support de
rangement pour
accessoires



Brosse multi-fonctions
avec éclairage



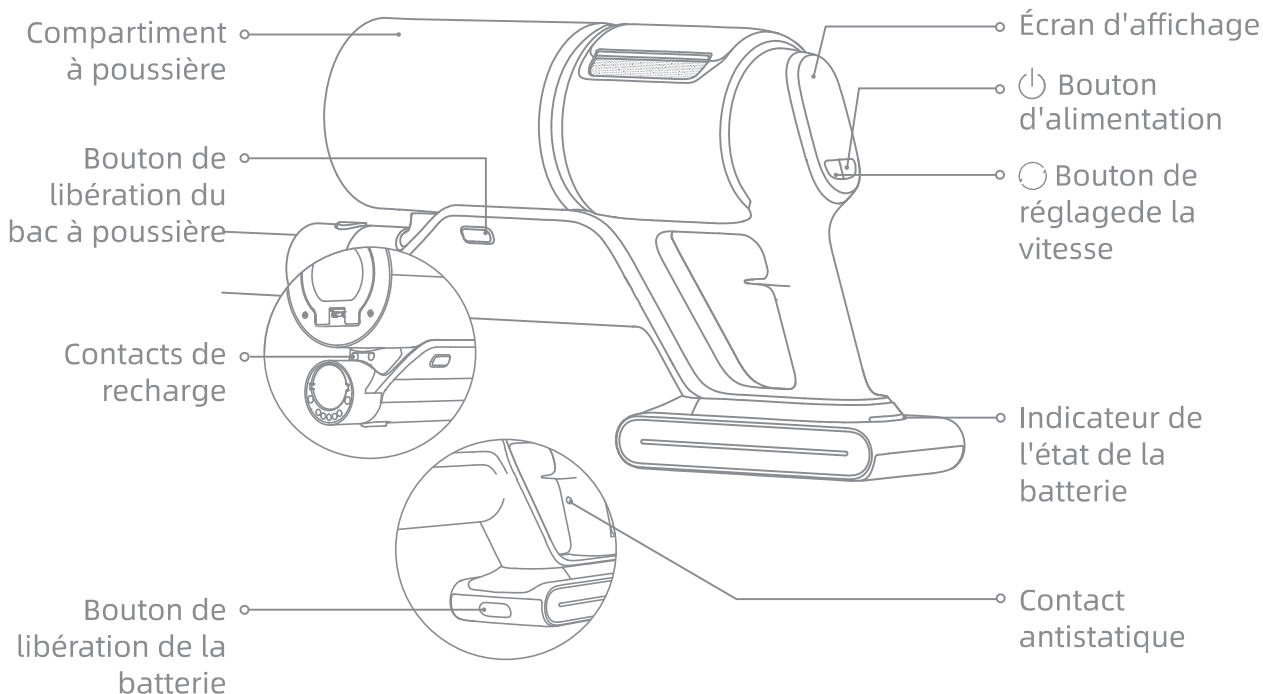
Outil combiné

Rappel : Photo non contractuelle, veuillez vous référer aux objets concrets.

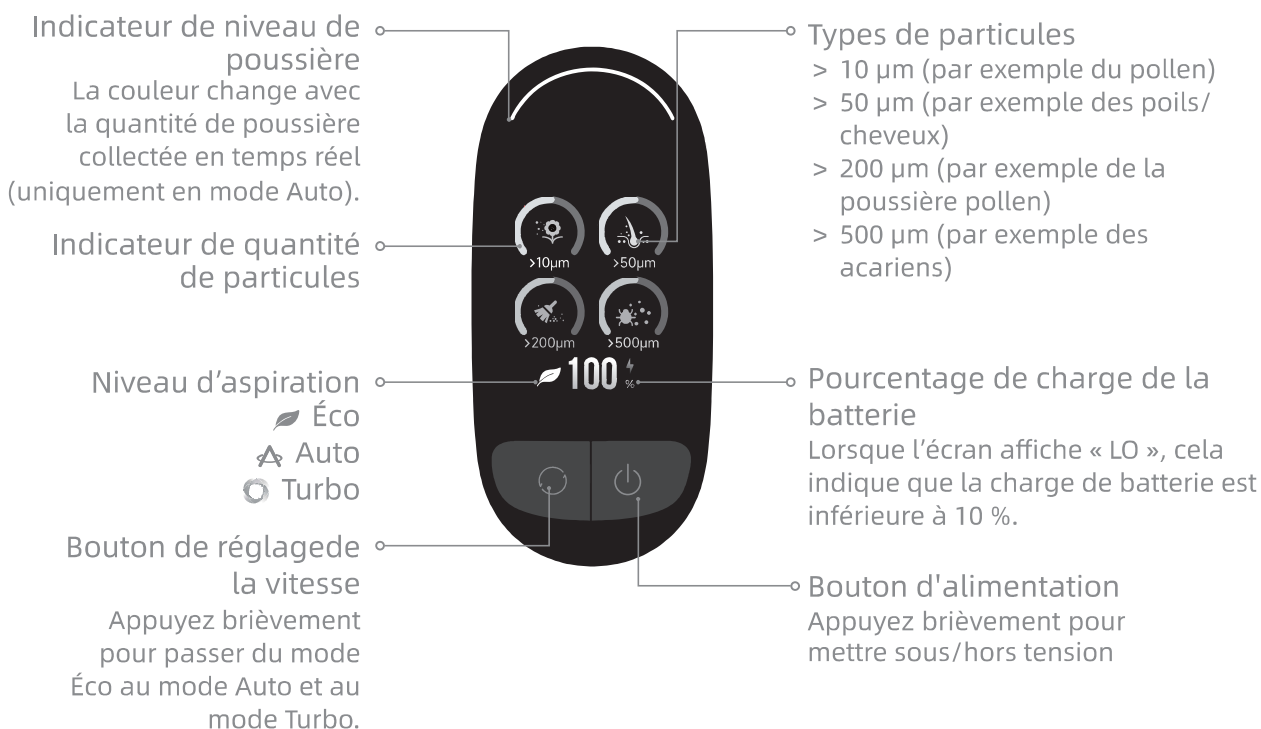
Présentation du produit

Nom du composant

Corps de l'aspirateur

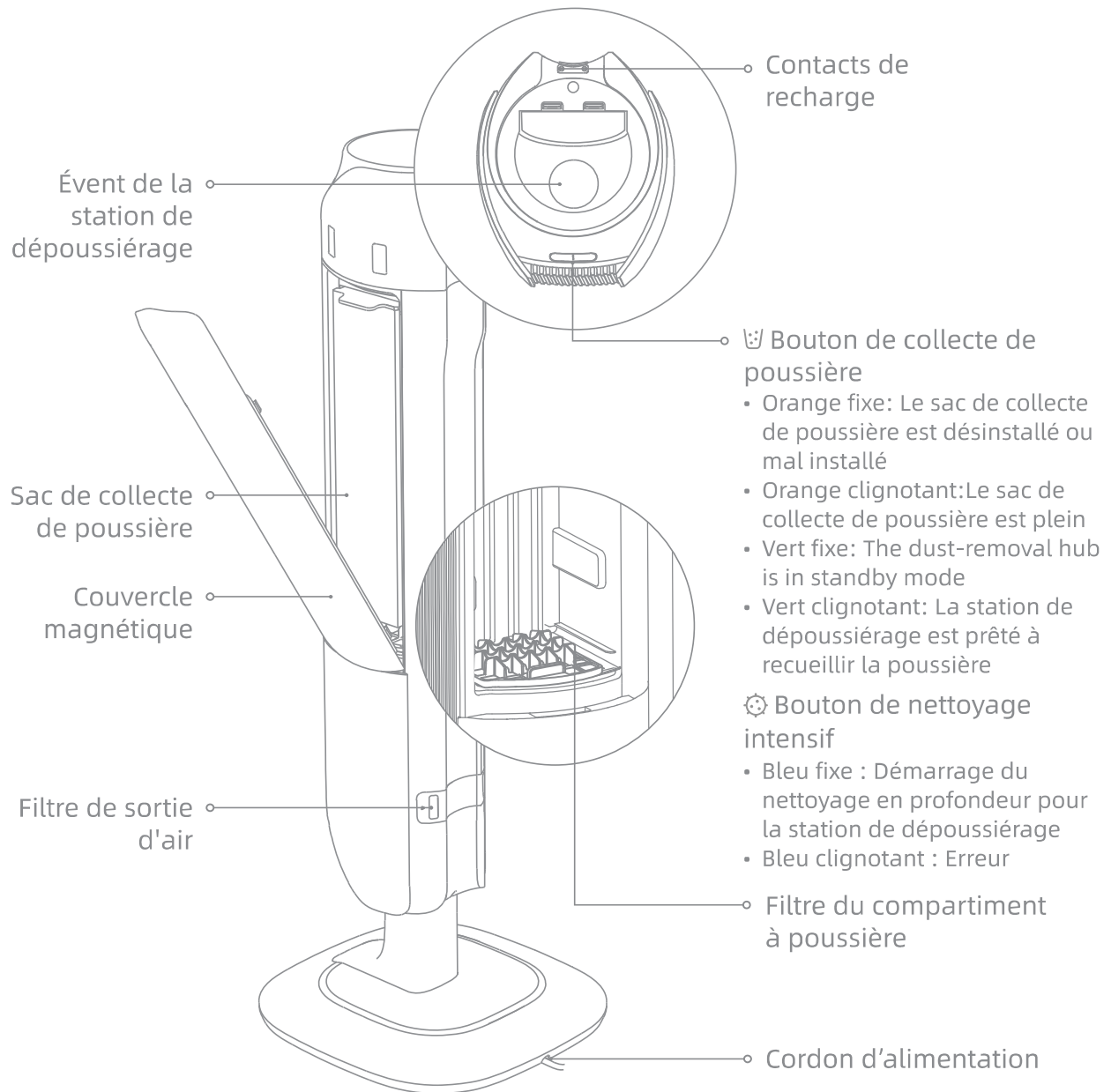


Écran d'affichage



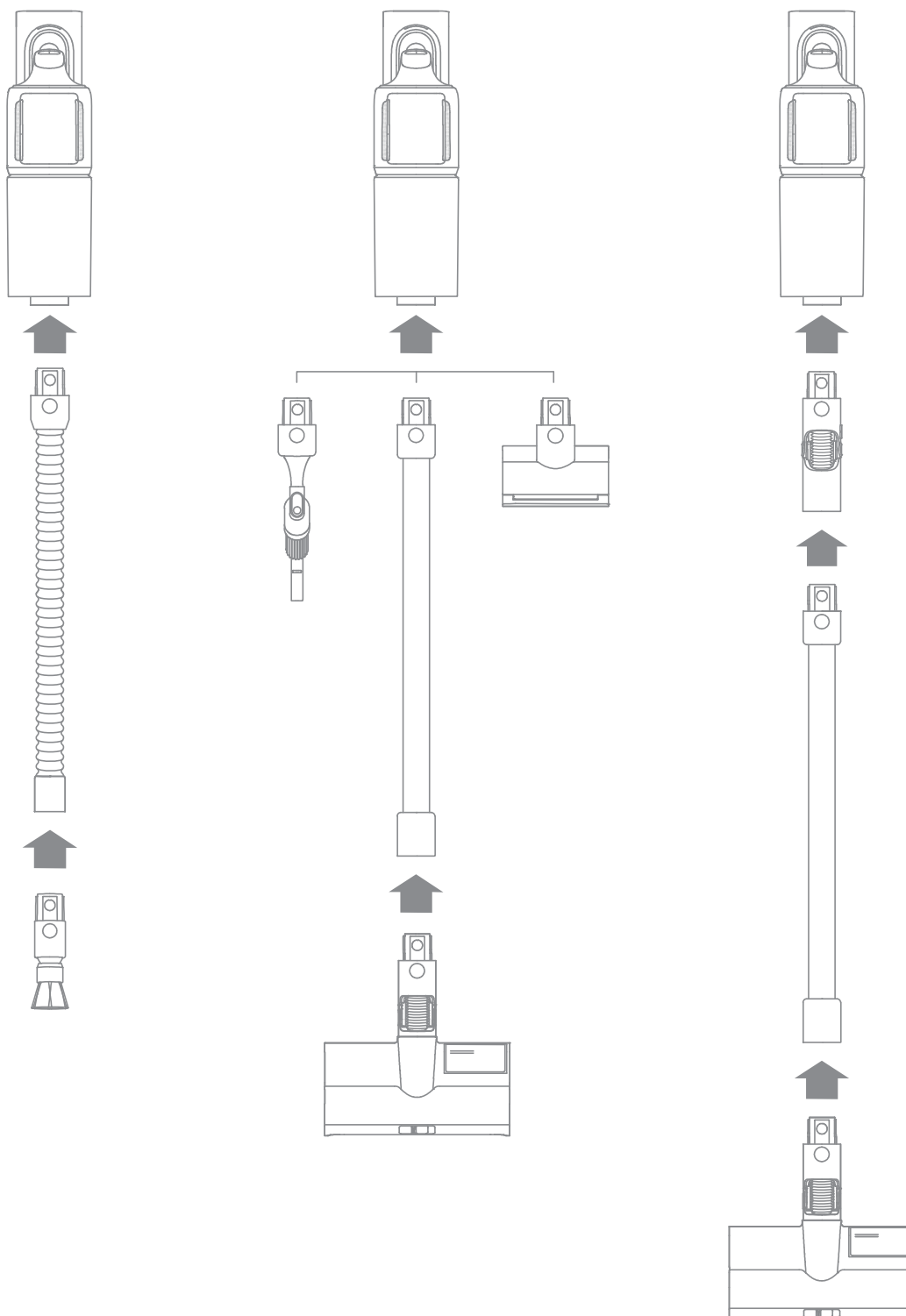
Présentation du produit

Station de dé poussiérage



Procédure d'installation

Installation des accessoires



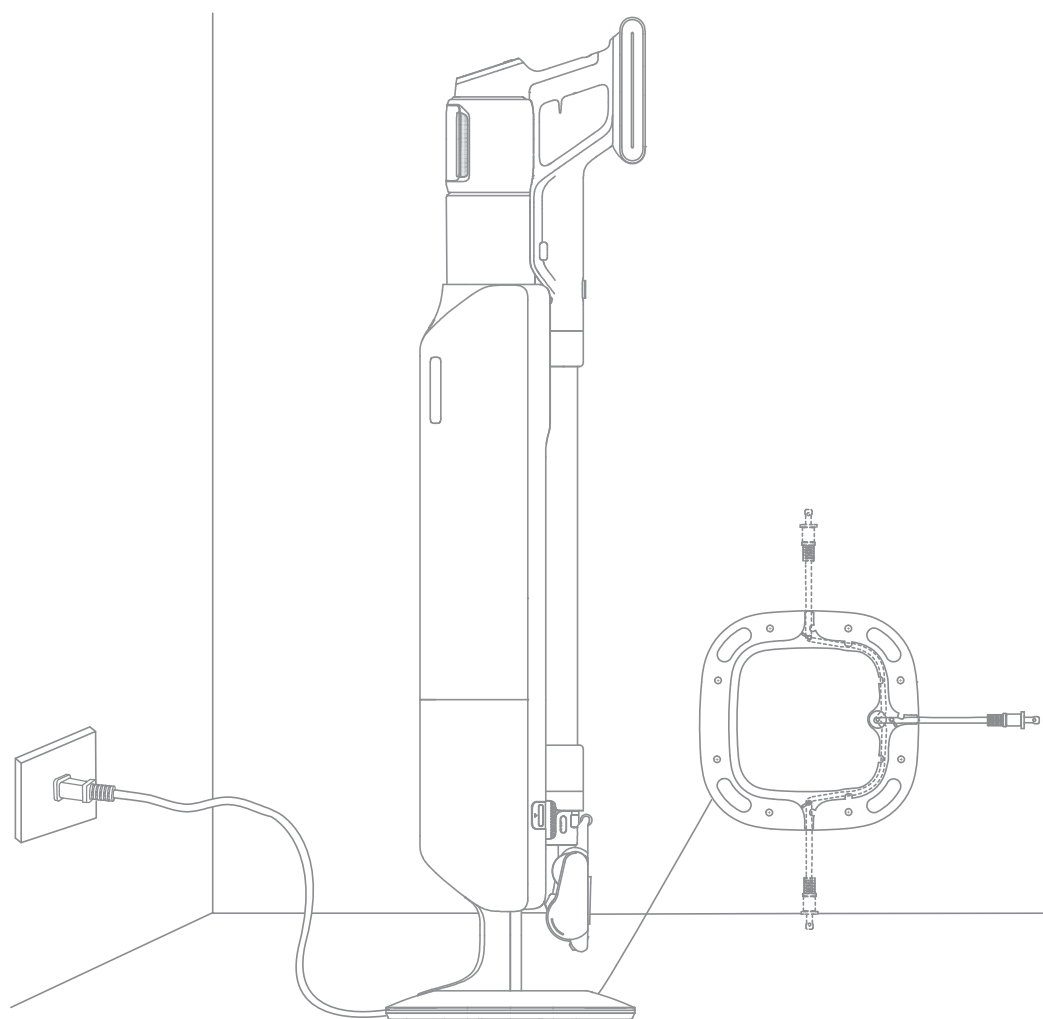
Remarque :

- Il n'est pas recommandé d'utiliser la mini-brosse motorisée avec le tube d'extension.
- Installez les accessoires en fonction des besoins réels de nettoyage.
- Il est recommandé d'utiliser l'adaptateur flexible pour nettoyer les meubles bas. Il n'est pas recommandé de le raccorder au corps de l'aspirateur tout le temps pour le nettoyage quotidien des planchers.

Recharge

Chargement avec la station de dépoussiérage

Placez la station de collecte de poussière près d'une source d'alimentation et branchez le cordon d'alimentation. Alignez l'orifice du compartiment à poussière avec la station de dépoussiérage pour positionner l'aspirateur. Chargez complètement l'aspirateur avant la première utilisation.



Remarque :

- L'aspirateur ne peut pas être utilisé pendant la charge.
- Lorsqu'il est complètement chargé, l'indicateur d'état de la batterie s'éteint après 5 minutes et l'aspirateur passe en mode d'économie d'énergie.
- Cela prendra environ 3,5 heures. Si vous passez l'aspirateur en mode Turbo pendant une période prolongée cela fera chauffer la batterie, ce qui augmentera son temps de charge. Laissez l'aspirateur refroidir pendant 30 minutes avant de la recharger.
- Lorsque l'aspirateur n'est pas utilisé, il peut être placé sur la station de dépoussiérage. La disposition du cordon d'alimentation peut être réglée selon les besoins de chaque utilisateur.

Recharge

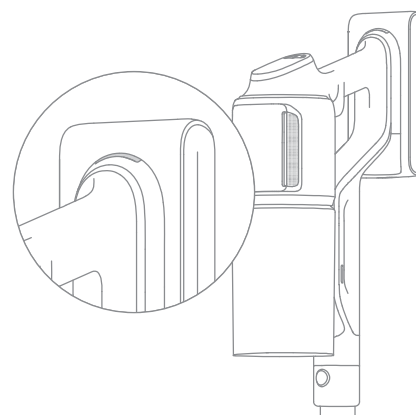
Affichage de l'état de la batterie

Indicateur de l'état de la batterie

- ☀ Blanc clignotant
- Blanc fixe
- Désactivé

Recharge

- Complètement chargé
- ☀ Recharge
- Mode veille



Écran d'affichage

Le nombre figurant sur l'écran d'affichage représente le niveau de batterie actuel en pourcentage pendant la charge. Lorsque ce nombre atteint 100, la batterie est complètement chargée.



Mode d'utilisation

Paramètres




En veille, maintenez le commutateur de niveau d'aspiration enfoncé ○ pendant 3 secondes pour accéder à l'interface des paramètres. Appuyez brièvement sur ○ pour sélectionner une option, puis maintenez enfoncé ○ pendant 3 secondes pour confirmer.

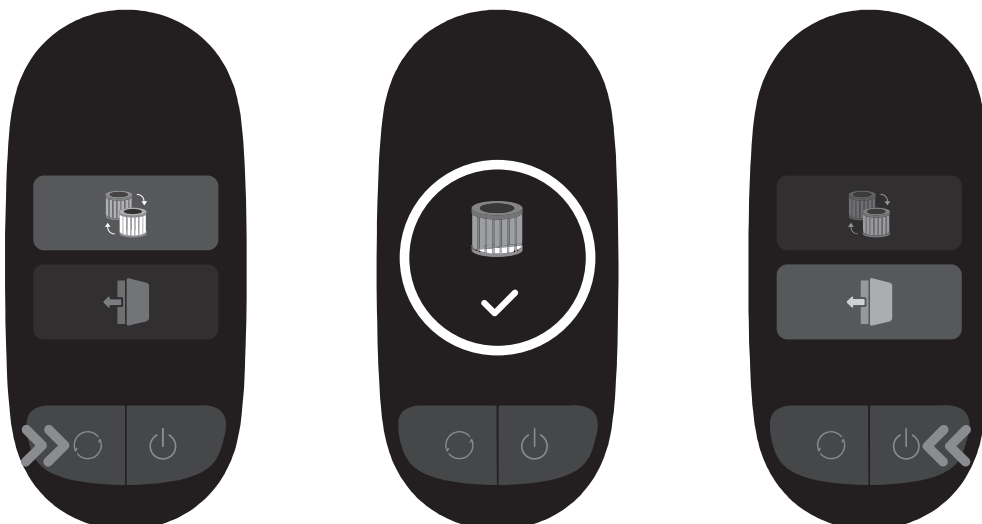
Réinitialiser le filtre

Appuyez sur le commutateur de niveau d'aspiration ○ et maintenez-le enfoncé pendant 3 secondes pour sélectionner la réinitialisation du filtre et le filtre se réinitialisera automatiquement.

Mode d'utilisation

Quitter



Appuyez sur le bouton d'alimentation  lorsque vous êtes dans l'interface des paramètres pour revenir directement au menu principal ou sélectionnez , puis maintenez enfoncé le commutateur de niveau d'aspiration  pendant 3 secondes pour revenir au menu principal.



Remarque :

- S'il n'y a aucune opération pendant plus de 15 secondes, l'écran s'éteindra et reviendra au menu principal lorsqu'il sera à nouveau activé.
- Si l'aspirateur ne fonctionne pas correctement, l'écran affiche un message d'erreur. Veuillez vous référer au tableau de dépannage pour trouver votre solution.

Démarrer le nettoyage

Appuyez sur le bouton d'alimentation  pour démarrer le fonctionnement. Une fois l'aspiration terminée, appuyez sur le bouton  et la quantité de particules aspirées s'affichera à l'écran.

Appuyez sur le bouton  pour choisir entre les niveaux Auto, Éco et Turbo. L'icône correspondante s'affichera à l'écran.





Mode d'utilisation


Remarque :

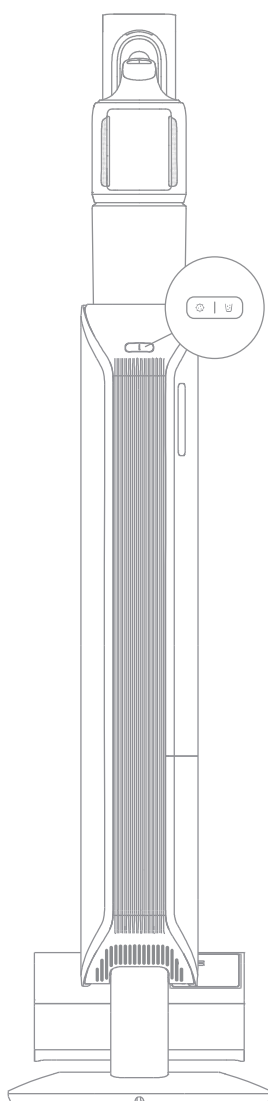
- Lorsqu'un mode de nettoyage cesse de fonctionner, l'aspirateur passe par défaut en mode Auto lorsqu'il est redémarré. Le réglage d'usine par défaut est le mode Auto.
- La puissance d'aspiration et la couleur de l'indicateur de niveau de poussière changent avec la quantité de particules en temps réel uniquement en mode automatique.

Démarrage du nettoyage intensif

Appuyez sur le bouton  de démarrage intensif et maintenez-le enfoncé pendant 5 secondes pour démarrer le nettoyage en profondeur de la station de dépoussiérage lorsque la collecte de poussière est activée. Appuyez de nouveau sur le bouton de nettoyage intensif  et maintenez-le enfoncé pendant 5 secondes pour le désactiver.

Démarrage de la collecte de poussière

Alignez l'orifice du compartiment à poussière avec la station de dépoussiérage pour positionner l'aspirateur. La station de dépoussiérage démarrera automatiquement la collecte de la poussière. Appuyez brièvement sur le bouton de collecte de poussière  pour arrêter ou redémarrer la collecte de poussière.



Mode d'utilisation

Remarque :

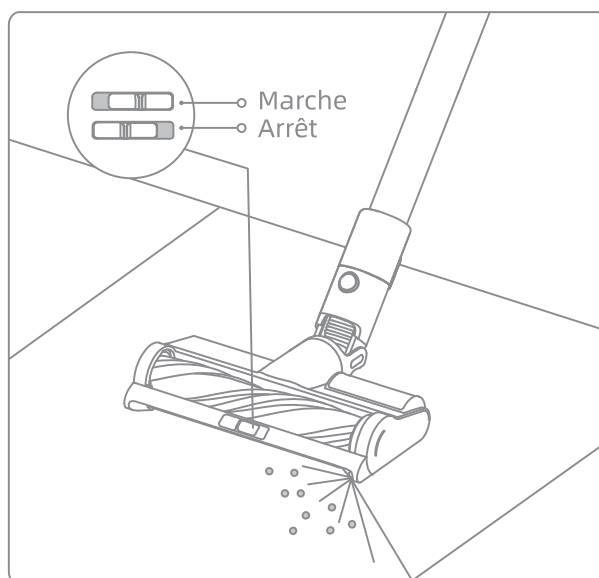
- L'aspirateur est réglé par défaut sur la collecte automatique de la poussière. Pour passer en mode de collecte manuel, retirez l'aspirateur de la station de dépoussiérage et maintenez enfoncé le bouton de collecte de poussière pendant 5 secondes. Le bouton de collecte de poussière clignote en vert cinq fois pour indiquer que le changement de mode est réussi. Appuyez à nouveau sur le bouton de collecte de poussière pendant 5 secondes pour revenir au mode automatique.
- Si le sac de collecte des poussières est plein ou si le conduit d'air est obstrué pendant le processus de collecte des poussières, le dispositif de dépoussiérage s'arrêtera de fonctionner une fois le processus terminé et ne pourra plus collecter de poussières.
- S'il y a beaucoup de déchets dans le bac à poussière, effectuez plusieurs fois le processus de dépoussiérage afin d'obtenir de meilleurs résultats de nettoyage.

Utilisation des différents accessoires

Brosse multi-fonctions avec éclairage

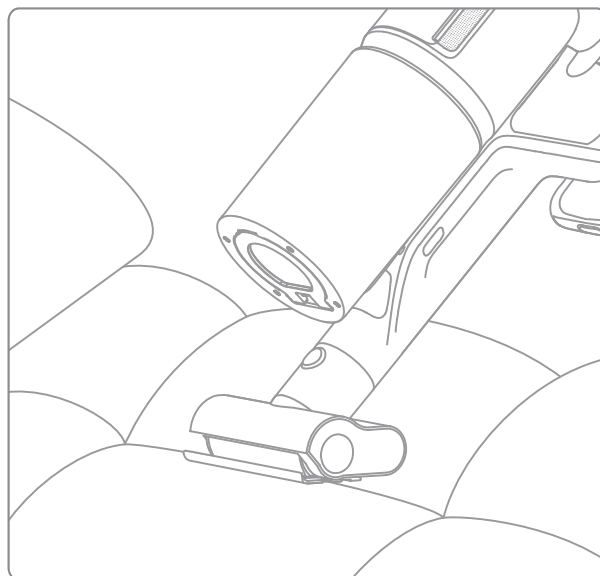
Convient pour nettoyer les planchers durs, le marbre, le carrelage, les tapis à poils courts et moyens et plus encore. Lorsque vous l'utilisez sur du carrelage, des planchers en bois ou d'autres surfaces dures ou pour aspirer des grains de café, du pop-corn et d'autres types de grains, poussez l'interrupteur de l'autre côté.

Pour nettoyer les tapis, poussez l'interrupteur en position d'arrêt.



Mini-brosse motorisée

Pour l'aspiration de poussière, poils d'animaux et autres résidus tenaces sur des canapés, linges de lit et autres surfaces en tissu. Il n'est pas recommandé de passer l'aspirateur sur les surfaces qui accrochent, comme la soie.

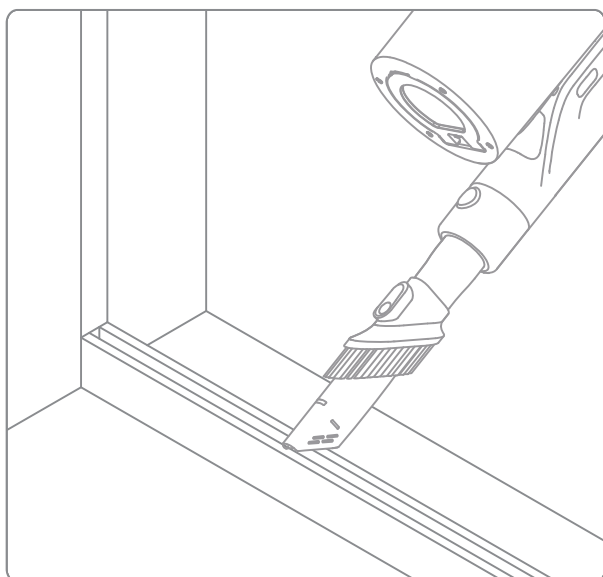


Mode d'utilisation

CFR

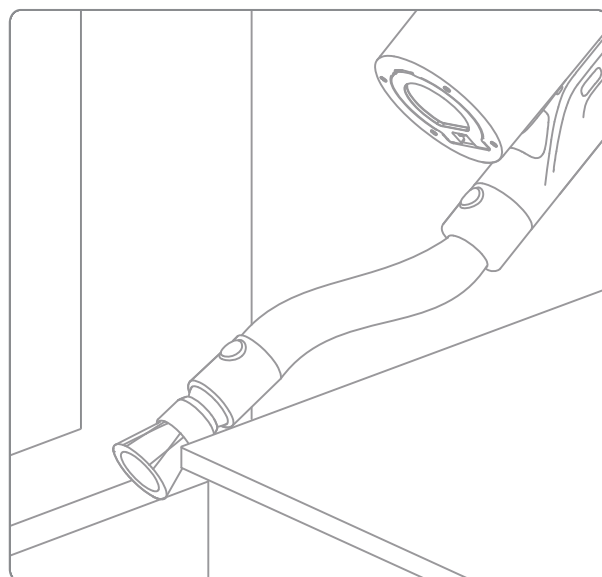
Outil polyvalent

Convient pour aspirer les fissures, les coins des portes et des fenêtres, les escaliers et autres endroits difficiles à atteindre.



Brosse à épousseter souple rotative

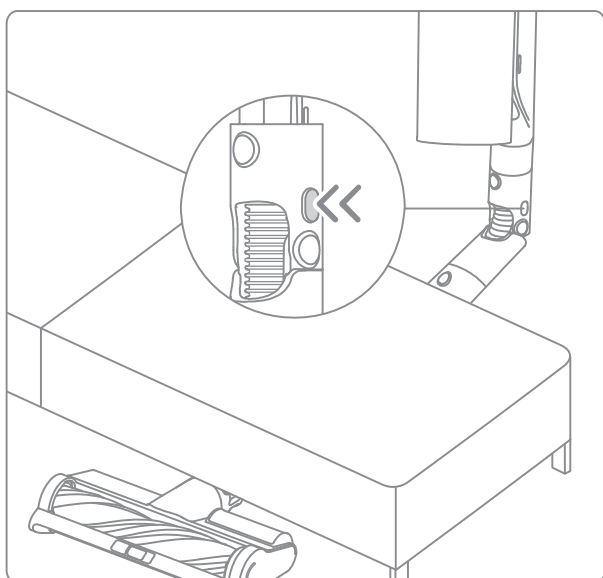
Elle se connecte au tuyau d'extension. Avec une tête rotative, elle sert au nettoyage des surfaces délicates et fragiles et des coins comme le verre, les écrans et les claviers.



Adaptateur flexible

Le fait de plier et d'étendre le manche en un clic permet d'atteindre facilement le dessous des meubles bas, comme le lit et le canapé.

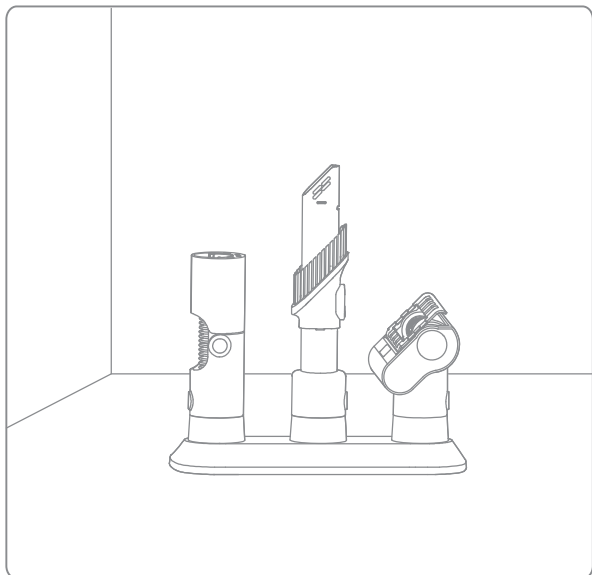
Remarque : Il est recommandé d'utiliser l'adaptateur flexible pour nettoyer les meubles bas. Il n'est pas recommandé de le raccorder au corps de l'aspirateur tout le temps pour le nettoyage quotidien des planchers.



Mode d'utilisation

Support de rangement des accessoires

Lorsqu'ils ne sont pas utilisés, les accessoires peuvent être placés sur le support de rangement comme indiqué sur le schéma.



Remarque :

- Si un pièce rotative se coince, l'aspirateur est susceptible de s'éteindre automatiquement. Retirez tout objet coincé dans l'aspirateur, puis poursuivez votre utilisation.
- Quand le moteur surchauffe en fonctionnement, l'aspirateur s'éteint automatiquement. Attendez que la température de la batterie revienne à un niveau normal, puis poursuivez votre utilisation.

Entretien et maintenance

Précautions concernant la maintenance

- Utilisez toujours des pièces d'origine, faute de quoi la garantie pourrait être annulée.
- En cas d'obstruction du filtre ou du bec, l'aspirateur s'arrête de fonctionner peu après avoir été mis sous tension. Nettoyez le filtre ou le bec afin de rétablir son fonctionnement.
- Avant de nettoyer le bac à poussière, veuillez vérifier que la fiche est débranchée et maintenez le bouton d'alimentation de l'aspirateur en position d'arrêt.
- Si l'aspirateur n'est pas utilisé pendant une période prolongée, rechargez-le complètement, débranchez le cordon d'alimentation, retirez la batterie et rangez-le dans un endroit frais et peu humide, à l'abri de la lumière directe du soleil. Pour éviter une décharge excessive de la batterie, rechargez-la au moins une fois tous les trois mois.

Nettoyage de l'aspirateur Vacuum Cleaner

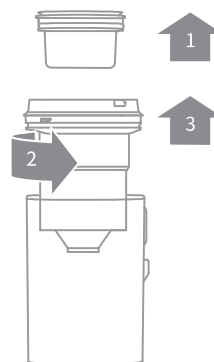
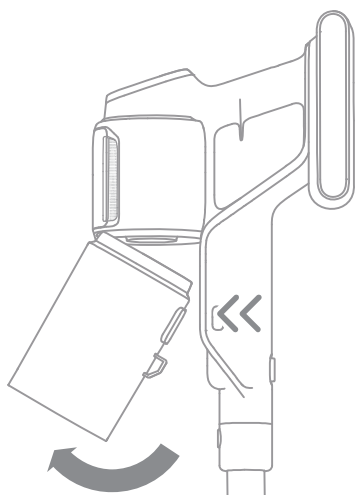
Essuyez l'aspirateur avec un chiffon doux et sec.

Entretien et maintenance

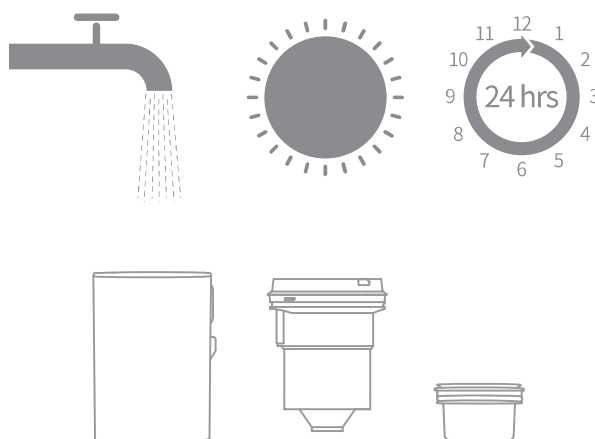
Nettoyage du compartiment à poussière, du préfiltre et de l'ensemble cyclone

1. Appuyez sur le bouton d'ouverture du bac à poussière et retirez-le de l'aspirateur.

2. Retirez d'abord le préfiltre, puis tournez le système cyclonique pour le soulever.



3. Rincez le système cyclonique, le préfiltre et le bac à poussière jusqu'à ce qu'ils soient propres. Après le lavage, sécher à l'air libre pendant au moins 24 heures.



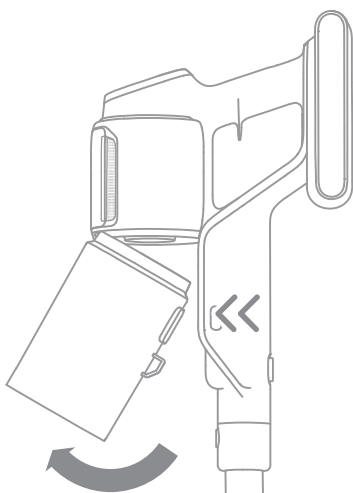
Remarque :

- Nettoyez le bac à poussière au besoin.
- Il est recommandé de nettoyer le système cyclonique et le préfiltre au moins une fois tous les 3 à 4 mois.

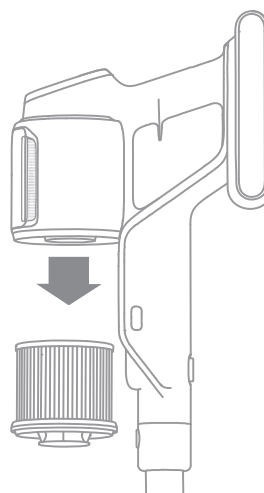
Entretien et maintenance

Nettoyage du filtre

1. Retirez le compartiment à poussière comme illustré sur le schéma.



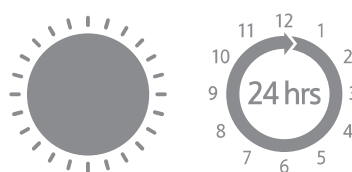
2. Retirez le filtre de l'aspirateur en tirant dessus, dans la direction indiquée sur le schéma.



3. Rincez le filtre en le faisant tourner 360°. Tapotez légèrement le filtre à plusieurs reprises pour éliminer les débris qui y sont coincés.



4. Laissez le filtre sécher complètement pendant au moins 24 heures.



Remarque :

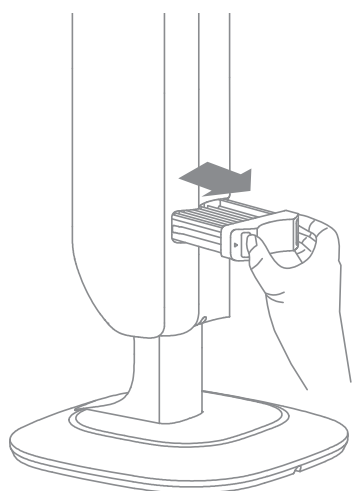
- Pour nettoyer le filtre, n'utilisez que de l'eau claire. N'utilisez pas de détergents.
- N'essayez pas de nettoyer le filtre avec une brosse ou vos doigts.
- Il est recommandé de nettoyer le filtre tous les 4 à 6 mois.

Entretien et maintenance

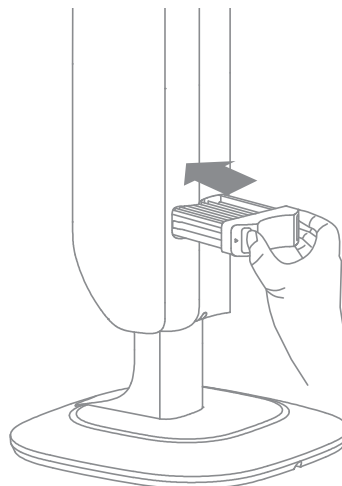
CFR

Remplacement du filtre de sortie d'air

1. Retirez le filtre de sortie d'air comme indiqué sur la figure.



2. Installez-en un nouveau.

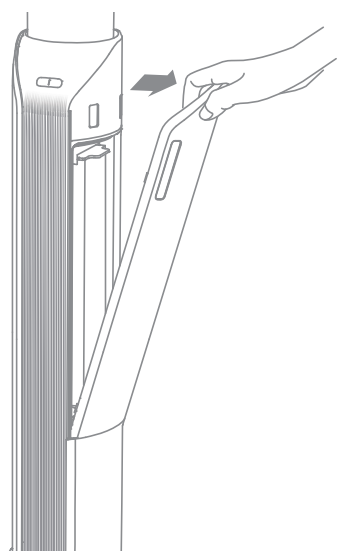


Remarque :

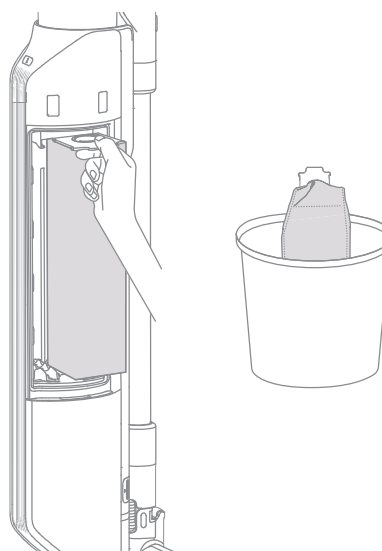
- Le filtre de sortie d'air n'est pas lavable.
- Il est recommandé de remplacer le filtre tous les 4 à 6 mois.

Remplacez le sac de collecte de poussière

1. Retirez le couvercle magnétique de la station de dépoussiérage.



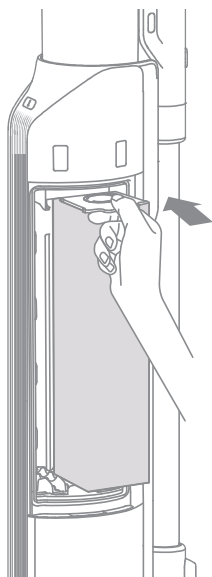
2. Retirez le sac de collecte de poussière et jetez-le.



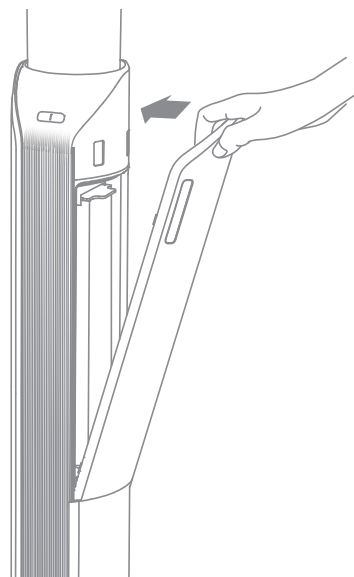
Entretien et maintenance

Remplacez le sac de collecte de poussière

3. Installez un nouveau sac de collecte de poussière. Insérez la poignée du sac dans la fente de carte pour vous assurer qu'il est installé en place.



4. Réinstallez le couvercle magnétique. Assurez-vous qu'il est correctement installé et que la station de dépollution est bien fermée.

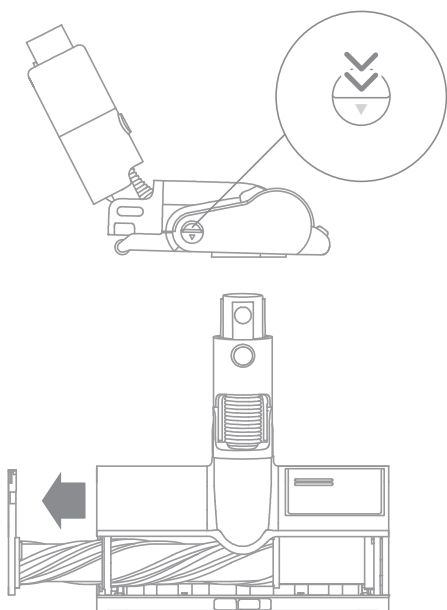


Remarque :

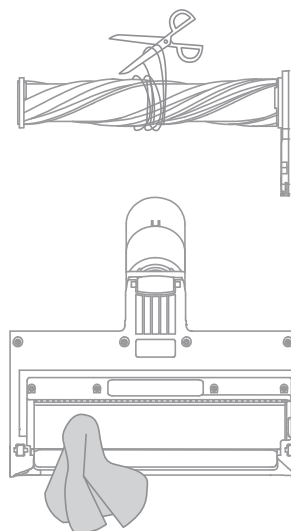
- Lorsque le bouton de collecte de poussière clignote en orange, cela indique que le sac de collecte de poussière est plein et doit être remplacé.
- Il est recommandé de remplacer le sac de collecte des poussières tous les trois mois.

Nettoyage de la brosse multi-fonctions avec éclairage

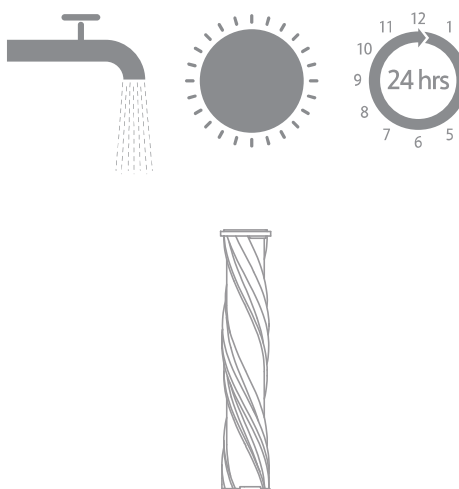
1. Comme illustré sur la figure, poussez le verrou vers le bas pour détacher le rouleau de la brosse.



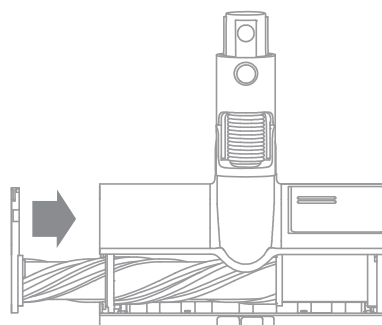
2. Utilisez des ciseaux pour couper les poils et les fibres qui restent coincés sur le rouleau. Essuyez la poussière de l'encoche et du couvercle transparent avec un chiffon sec ou une serviette en papier. Séchez-les soigneusement avant de les utiliser.



3. Lorsqu'il est sale, rincez le rouleau à l'eau claire jusqu'à ce qu'elle soit propre.



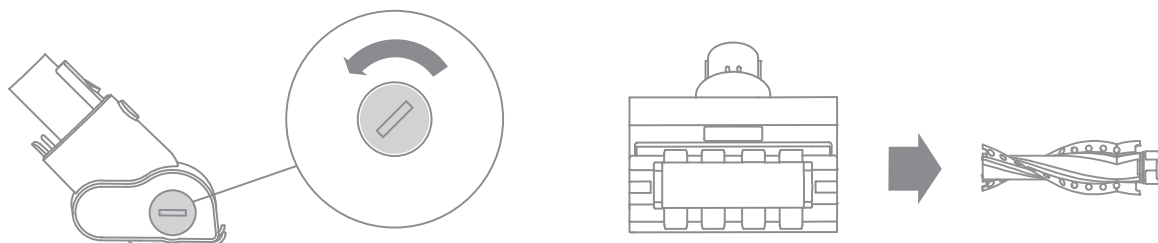
4. Mettez le rouleau en position verticale pendant au moins 24 heures jusqu'à ce qu'elle soit complètement sec.



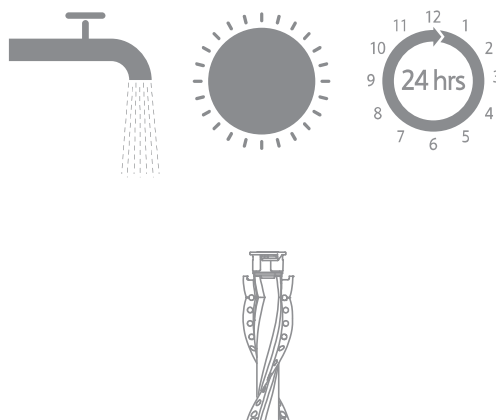
Entretien et maintenance

Nettoyage de la mini-brosse motorisée

1. Utilisez une pièce de monnaie comme illustré pour faire tourner le verrou dans le sens antihoraire jusqu'à ce qu'un déclic se fasse entendre. Après avoir libéré la mini-brosse motorisée, retirez le rouleau-brosse.



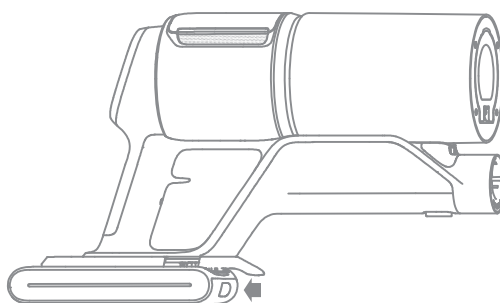
2. Rincez et nettoyez le rouleau-brosse. Laissez-le en position verticale dans un endroit bien ventilé pendant au moins 24 heures jusqu'à ce qu'il soit complètement sec.



Remplacement du bloc de batteries

L'aspirateur contient une batterie lithium-ion rechargeable disposant d'un nombre limité de cycles de charge. Après un usage prolongé, la batterie est susceptible de se décharger rapidement. Si c'est le cas, cela signifie que la batterie est arrivée au bout de sa durée de vie et doit être remplacée.

1. Appuyez sur le bouton de déverrouillage de la batterie et faites-la glisser vers la droite pour la retirer, comme illustré sur le schéma.
2. Installez la nouvelle batterie.

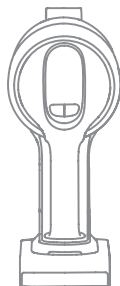


FAQ

En cas de dysfonctionnement de l'aspirateur, consultez le tableau ci-dessous.









Erreur	Cause possible	Solutions
L'aspirateur ne fonctionne pas.	La batterie est déchargée ou faible.	Rechargez complètement l'aspirateur avant de reprendre votre utilisation.
	Le mode de protection contre la surchauffe se déclenche suite à une obstruction.	Nettoyez l'ouverture d'aspiration ou le conduit d'air. Attendez que l'aspirateur refroidisse, puis réactivez-le.
	L'orifice d'aspiration ou le conduit d'air est obstrué.	Retirez les débris susceptibles de bloquer l'orifice d'aspiration ou le conduit d'air.
La puissance d'aspiration est affaiblie.	Le compartiment à poussière est rempli et/ou le filtre est obstrué.	Videz le compartiment à poussière et nettoyez l'ensemble filtre.
	L'accessoire est obstrué.	Retirez les débris susceptibles d'obstruer l'accessoire.
Le moteur fait un bruit anormal.	L'orifice d'aspiration principal ou la tige de rallonge est obstrué(e).	Retirez les débris susceptibles de bloquer le suceur principal ou la tige de rallonge.
Le voyant de batterie ne s'allume pas lorsque l'aspirateur est en charge.	L'aspirateur n'est pas correctement placé sur la station de dépoussiérage.	Assurez-vous que les contacts de recharge de l'aspirateur sont alignés avec ceux de la station de dépoussiérage.
	La prise électrique n'est pas correctement branchée.	Vérifiez si la prise électrique est correctement branchée.
	Si le problème persiste après avoir écarté les deux possibilités ci-dessus, contactez le service après-vente qui vous aidera.	
La batterie charge lentement.	La température de la batterie est trop basse ou trop élevée.	Attendez que la température de la batterie revienne à un niveau normal, puis reprenez votre session de nettoyage.
Les lumières LED d'éclairage de la brosse multi-fonctions ne fonctionnent pas.	La lampe à LED est endommagée.	Veillez contacter le service après-vente pour l'entretien.
Le bouton de collecte de poussière est orange fixe.	Le sac de collecte des poussières n'est pas installé ou n'est pas installé correctement.	Avant de commencer le dépoussiérage, vérifiez que le sac de collecte des poussières a été installé et mis en place.
L'indicateur du bouton de collecte de poussière est orange clignotant.	Le sac de collecte de poussière est plein.	Installez un nouveau sac de collecte de poussière. Puis appuyez sur le bouton de collecte de poussière et maintenez-le enfoncé pendant 3 secondes pour résoudre le problème.
Le bouton d'activation du nettoyage ultra rapide clignote en bleu.	Le nettoyage intensif ne fonctionne pas.	Veillez contacter le service après-vente pour l'entretien.

Indicateur de l'état de la batterie

Statut	Cause possible	Solution	
L'indicateur est rouge.	La batterie est endommagée.	Veillez contacter le service après-vente pour l'entretien.	
L'indicateur est rouge clignotant.	Erreurs	Veillez contacter le service après-vente pour l'entretien.	
L'indicateur est blanc clignotant.	La température de la batterie est trop basse ou trop élevée.	Attendez que la température de la batterie redevienne normale, puis reprenez le travail.	

Dépannage

Si l'aspirateur ne fonctionne pas correctement, l'écran affiche un message d'erreur. Veuillez vous référer au tableau de dépannage pour trouver votre solution.

Icône d'erreur	Message d'erreur	Solution
	Niveau de batterie faible	Il faut recharger la batterie.
	Batterie déchargée	Il faut recharger la batterie.
	La température de la batterie est trop élevée	Attendez que la température de la batterie revienne à un niveau normal, puis reprenez votre session de nettoyage.
	Conduit d'air bloqué	Vérifiez si le bac à poussière, la tige d'extension, la brosse multi-fonctions avec éclairage ou la mini-brosse motorisée sont bloqués.
	Rouleau-brosse coincé	Reportez-vous à la section [Nettoyage de la brosse multi-fonctions avec éclairage] pour nettoyer les débris et les cheveux emmêlés sur le rouleau-brosse.
	La durée de vie du filtre arrive à expiration	Remplacez le filtre à temps.
	Remplacez le filtre	Après avoir remplacé le filtre, accédez aux [Paramètres] pour réinitialiser le filtre.
	Erreurs	Veillez contacter le service après-vente pour l'entretien.

Spécifications

Aspirateur			
Modèle	VZV25A	Temps de Charge	environ 3,5 heures
Puissance mesurée	715 W	Tension mesuré	29,6 V DC
Brosse multi-fonctions avec éclairage			
Modèle	VMBB		
Puissance mesurée	70 W	Tension mesuré	25 V DC
Mini-brosse motorisée			
Modèle	VMMY		
Puissance mesurée	20 W	Tension mesuré	24 V DC
Station de dépoussiérage			
Modèle	VCB2		
Entrée	120 V \sim 60 Hz , 8 A	Sortie	35 V DC 0,99 A
Puissance mesurée	1050 W		
Batterie rechargeable lithium-ion			
Modèle	V2405-8S1P-GYA	Tension nominale	29,6 V DC
Capacité de fonctionnement	2700 mAh	Capacité nominale	2850 mAh
Énergie	79,92 Wh		

Instrucciones de seguridad importantes

INSTRUCCIONES IMPORTANTES DE SEGURIDAD

Cuando utiliza un aparato eléctrico, siempre debe seguir las precauciones básicas, incluidas las siguientes:

LEA TODAS LAS INSTRUCCIONES ANTES DE USAR (ESTE APARATO). El incumplimiento de las advertencias e instrucciones puede provocar descarga eléctrica, incendio y/o lesiones graves.

ADVERTENCIA – Para reducir el riesgo de incendio, descarga eléctrica o lesiones:

- No lo utilice al aire libre o sobre superficies mojadas.
- No permita que se utilice como un juguete. Debe prestar mucha atención cuando se utiliza cerca de niños, mascotas o plantas.
- Use únicamente como se describe en este manual. Sólo utilice los accesorios recomendados por el fabricante.
- No lo utilice con el cable o enchufe dañado. Si el aparato no funciona correctamente, se ha caído, dañado, dejado al aire libre o sumergido en agua, remítalo a un centro de servicio.
- No tire ni transporte agarrando el cable, no use el cable como asa, no cierre puertas encima del cable ni pase el cable por bordes o esquinas afiladas. No pase el aparato por encima del cable. Mantenga el cable alejado de superficies calientes.
- No desenchufe tirando del cable. Para desenchufar, agarre el enchufe, no el cable.
- No manipule el cargador, el enchufe del cargador y los terminales del cargador con las manos mojadas.
- No coloque ningún objeto en las aberturas. No lo utilice si tiene alguna abertura bloqueada; manténgalo libre de polvo, pelusas, cabello y cualquier material que pueda reducir el flujo de aire.
- Mantenga el cabello, la ropa holgada, los dedos y todas las partes del cuerpo alejados de las aberturas y las piezas móviles.
- Tenga mucho cuidado cuando limpie escaleras. No lo use para limpiar líquidos inflamables o combustibles, como gasolina, ni lo use en zonas donde puedan estar presentes.
- No limpie nada que se esté quemando o humeando, como cigarrillos, cerillas o cenizas calientes.
- No lo use sin el depósito de polvo, bolsa de polvo y/o los filtros colocados.

- Evite el encendido involuntario. Asegúrese de que el interruptor esté apagado antes de conectarlo a la batería, levantarlo o transportarlo.
- Transportar el aparato con el dedo apoyado en el interruptor o energizar el aparato con el interruptor encendido puede causar accidentes.
- Desconecte la batería del aparato antes de realizar cualquier ajuste, cambiar accesorios o almacenar el aparato. Estas medidas preventivas de seguridad reducen el riesgo de encender por accidente el aparato.
- Recargue sólo con el cargador especificado por el fabricante. Un cargador adecuado para un tipo de batería puede provocar riesgo de incendio si se utiliza en otra batería.
- Use sus aparatos sólo con las baterías específicamente indicadas. El uso de cualquier otra batería puede provocar riesgo de lesiones e incendio.
- Cuando la batería no esté en uso, manténgala alejada de objetos metálicos, como clips de papel, monedas, llaves, clavos, tornillos u otros objetos metálicos pequeños que pueden provocar la conexión de los terminales. Un cortocircuito en los terminales de la batería puede provocar quemaduras o incendios.
- Bajo condiciones abusivas, puede haber fugas de líquido en la batería; evite el contacto. Si ocurre contacto accidental, enjuague con agua. Si el líquido entra en contacto con los ojos, busque atención médica. El líquido derramado de la batería puede provocar irritación o quemaduras.
- No utilice una batería o un aparato dañado o modificado. Las baterías dañadas o modificadas pueden tener un comportamiento impredecible que resulte en fuego, explosión o lesiones.
- No exponga una batería o un aparato al fuego ni a temperaturas excesivas. La exposición al fuego o una temperatura superior a 130°C puede provocar explosiones.
- Siga todas las instrucciones de carga y no cargue la batería o el aparato fuera del rango de temperatura indicado en las instrucciones.
- La carga incorrecta o a temperaturas fuera del rango indicado puede dañar la batería y aumentar el riesgo de incendio.
- Remita el servicio a un técnico calificado que utilice únicamente idénticas piezas de repuesto. Esto asegurará que se mantenga la seguridad del producto.
- No modifique ni intente reparar el aparato o la batería, excepto de la forma indicada en las instrucciones de uso y cuidado.
- No utilice ni almacenamiento en ambientes muy calientes o fríos (por debajo de 0°C / 32°F o por encima de 40°C / 104°F). Cargue la aspiradora inalámbrica a temperatura de entre 0°C/32°F y 40°C/104°F.
- Apague este aparato siempre antes de conectar o desconectar la boquilla motorizada.

- Riesgo de lesiones. El cepillo podría activarse de forma inesperada. Desconecte el paquete de baterías antes de limpiarlo o realizarle mantenimiento.
- Apague todos los controles antes de desconectarlos.
- Desenchúfelo del tomacorriente cuando no esté en uso y antes de conectar el cubo de eliminación de polvo a la base, limpiarlo o realizarle mantenimiento.
- La batería es reemplazable. Utilice únicamente el tipo de batería aprobado (modelo V2405-8S1P-GYA). El tipo de batería de litio adecuado para cargar el cubo de eliminación de polvo es el tipo de batería aprobado. De lo contrario, la batería de iones de litio podría incendiarse.

GUARDE ESTAS INSTRUCCIONES

- Solo para uso doméstico.
- Para reducir el riesgo de descarga eléctrica, el cubo de eliminación de polvo del aparato tiene un enchufe polarizado (una clavija es más ancha que la otra). Este enchufe encajará en un tomacorriente polarizado de una sola manera. Si el enchufe no encaja completamente en el tomacorriente, inviértalo. Si aún no encaja, comuníquese con un electricista calificado para instalar el tomacorriente adecuado. No cambie el enchufe de ninguna manera.



Lea el manual del operador



Sólo para uso en interiores



lapso de tiempo miniatura fusible

donde T3,15A es el símbolo de la característica de tiempo/corriente

— — —	Corriente continua
~	Corriente alterna

Precaución:

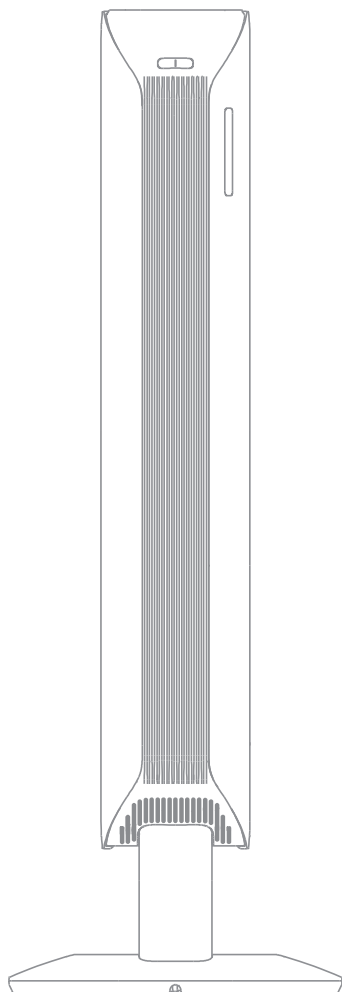
Este dispositivo cumple con la Parte 15 de las Normas de la FCC / Innovación, Ciencia y Desarrollo Económico RSS(s) exentos de licencia de Canadá. El funcionamiento está sujeto a las siguientes dos condiciones:

- (1) este dispositivo no puede causar interferencias dañinas.
- (2) este dispositivo debe aceptar cualquier interferencia recibida, incluida la interferencia que pueda provocar un funcionamiento no deseado.

- Cambios o modificaciones no aprobados expresamente por la parte responsable del cumplimiento podrían anular la autoridad del usuario para operar el equipo.
- Este equipo ha sido probado y se determinó que cumple con los límites para un dispositivo digital de Clase B, de conformidad con la parte 15 de las Normas de la FCC. Estos límites están diseñados para brindar una protección razonable contra interferencias dañinas en una instalación residencial. Este equipo genera usos y puede irradiar energía de radiofrecuencia y, si no se instala y utiliza de acuerdo con las instrucciones, puede causar interferencias dañinas en las comunicaciones por radio. Sin embargo, no hay garantía de que no se produzcan interferencias en una instalación en particular. Si este equipo causa interferencias dañinas en la recepción de radio o televisión, lo que se puede determinar con apagar y encender el equipo, se recomienda que el usuario intente corregir la interferencia mediante una o más de las siguientes acciones.

Descripción del producto

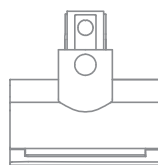
Lista de accesorios



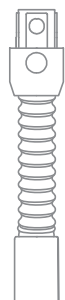
Cubo de eliminación de polvo



Adaptador flexible



Mini-Cepillo motorizado



Manguera de extensión



Bolsa colectora de polvo x2 (preinstalado x1)



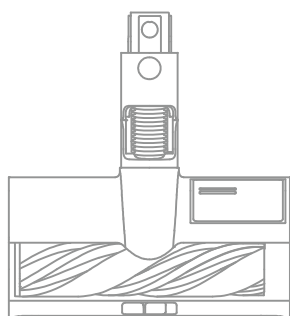
Varilla extensible



Cepillo giratorio suave para polvo



Soporte de almacenamiento de accesorios



Cepillo Omni con iluminación



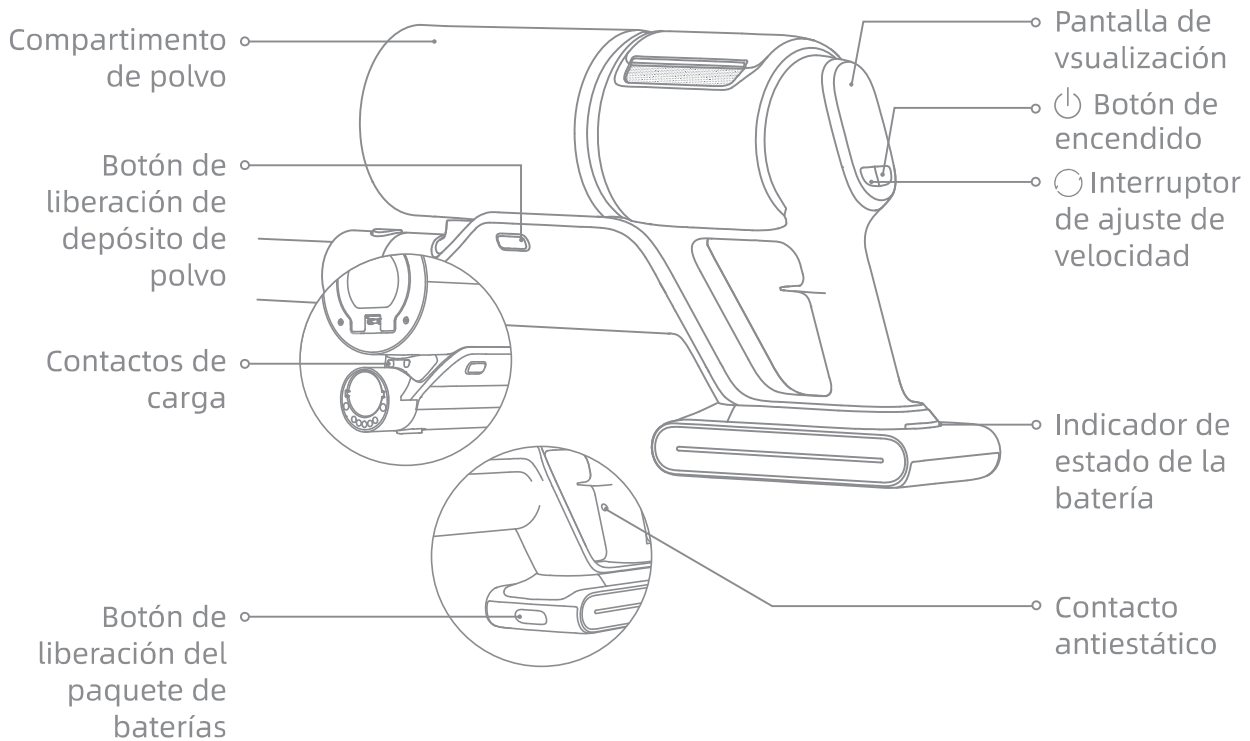
Herramienta de combinación

Nota: La imagen es solo de referencia, el objeto real no necesariamente se relaciona con la imagen.

Descripción del producto

Nom du composant

Cuerpo de la aspiradora

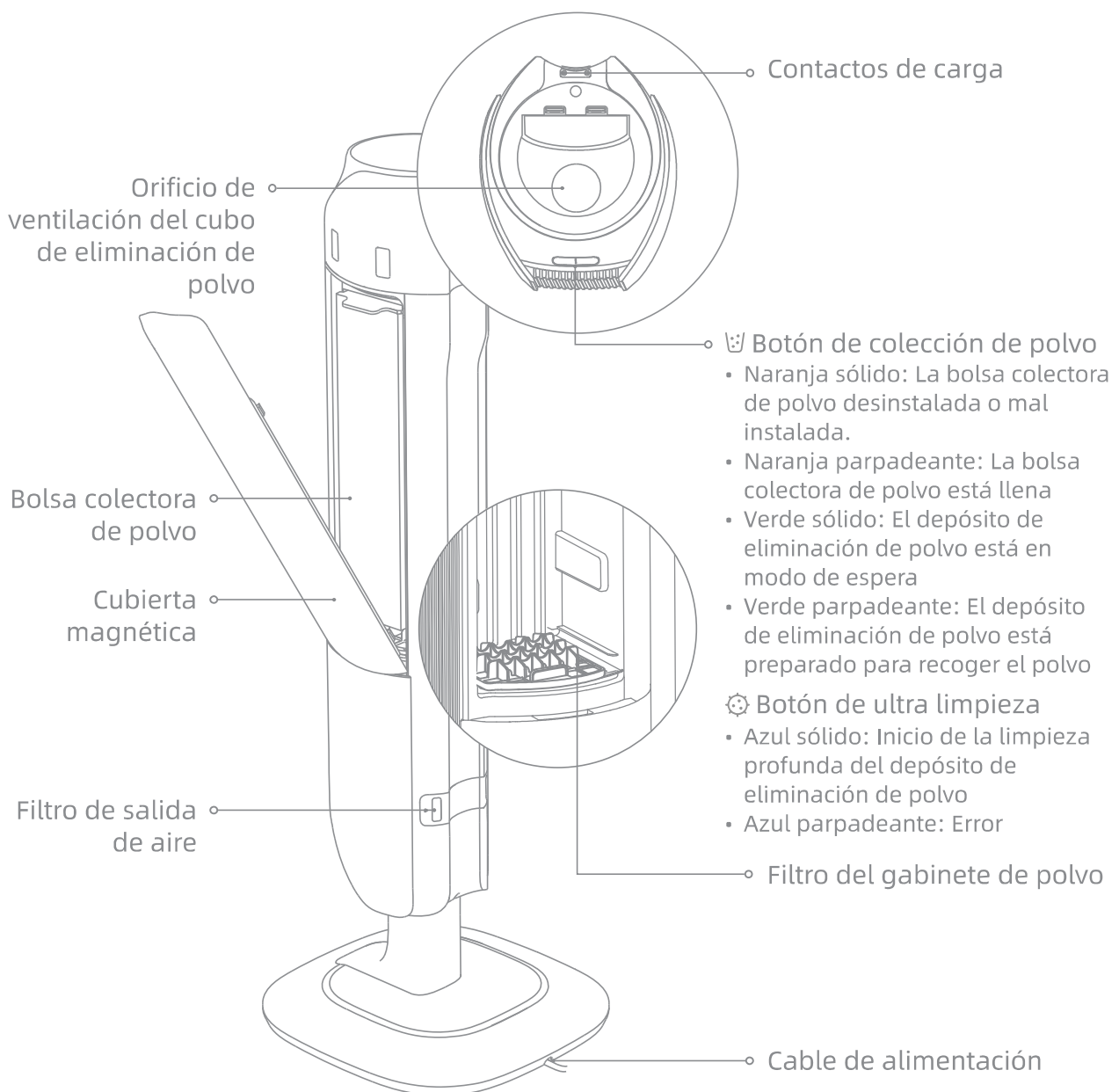


Pantalla de visualización

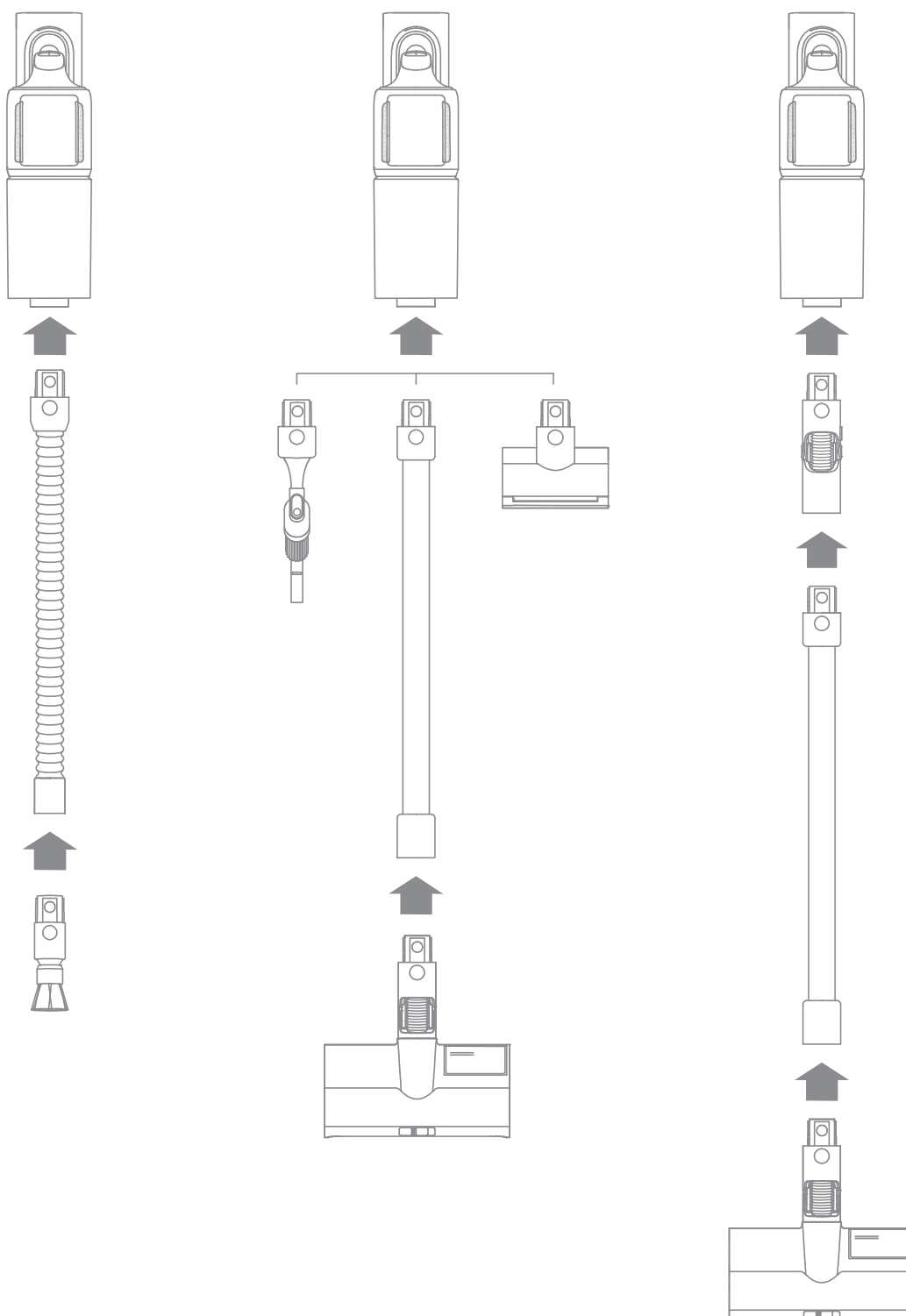


Descripción del producto

Cubo de eliminación de polvo



Instalación de accesorios



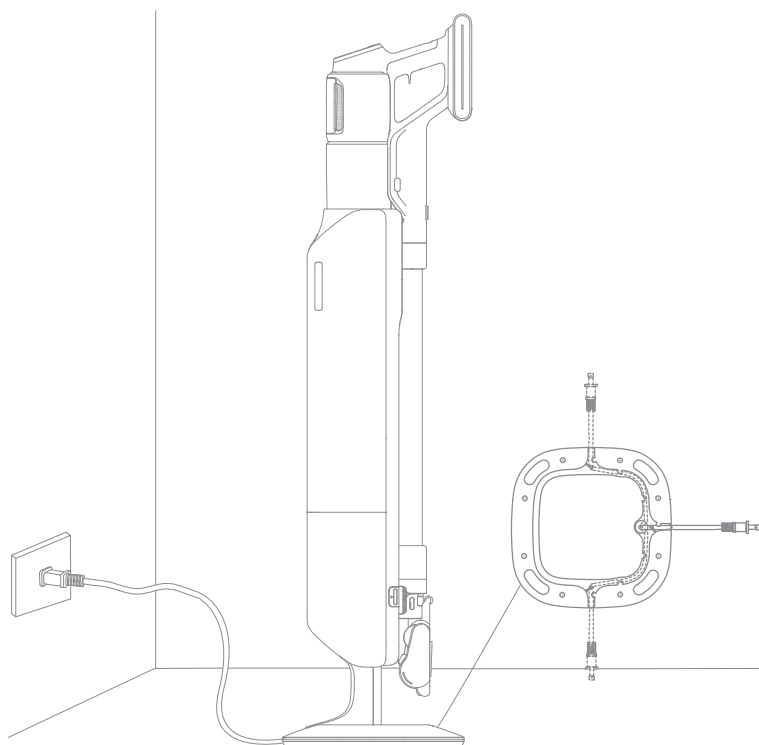
Nota:

- No se recomienda utilizar el minicepillo motorizado con la alargadera.
- Por favor, instale los accesorios en función de las necesidades reales de limpieza.
- Se recomienda utilizar el adaptador flexible para limpiar los muebles de altura baja y no se recomienda conectarlo al cuerpo de la aspiradora todo el tiempo para la limpieza diaria del piso.

Carga

Carga con el cubo de eliminación de polvo

Coloque la estación colectora de polvo cerca de una red eléctrica y conecte el cable de alimentación. Alinee el orificio de ventilación del recipiente de polvo con el depósito de eliminación de polvo para colocar la aspiradora. Cargue completamente la aspiradora antes del primer uso.



Nota:

- La aspiradora no puede usarse mientras se está cargando.
- Cuando esté completamente cargada, el indicador de estado de la batería se apagará después de 5 minutos y la aspiradora entrará en modo de ahorro de energía.
- Esto tardará alrededor de 3,5 horas. Aspirar en modo turbo durante un periodo prolongado hará que la batería se caliente, lo que aumentará el tiempo de carga. Deje que la aspiradora se enfríe durante 30 minutos antes de cargarla.
- Cuando la aspiradora no está en uso, puede colocarse en el cubo de eliminación de polvo. La salida del cable de alimentación se puede ajustar según las necesidades de los usuarios.

Carga

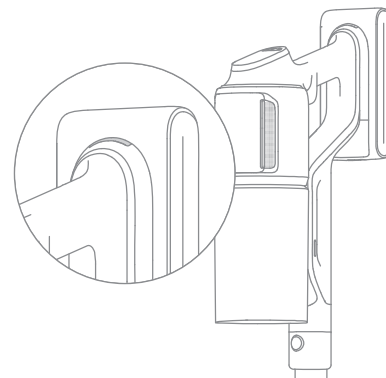
Visualización de Estado de Batería

Indicador de estado de la batería

- ☀ Blanco parpadeante
- Blanco sólido
- Apagado

Carga

- Carga completa
- ☀ Carga
- Modo de espera



Pantalla de visualización

El número en la pantalla representa el nivel de batería actual en porcentaje durante la carga. Cuando llegue a 100, la batería está totalmente cargada



Modo de uso

Configuración




En el estado de espera, mantenga pulsado el interruptor de nivel de succión ○ durante 3 segundos para acceder a la interfaz de configuración. Presione brevemente ○ para seleccionar una opción y mantenga pulsado ○ durante 3 segundos para confirmar.

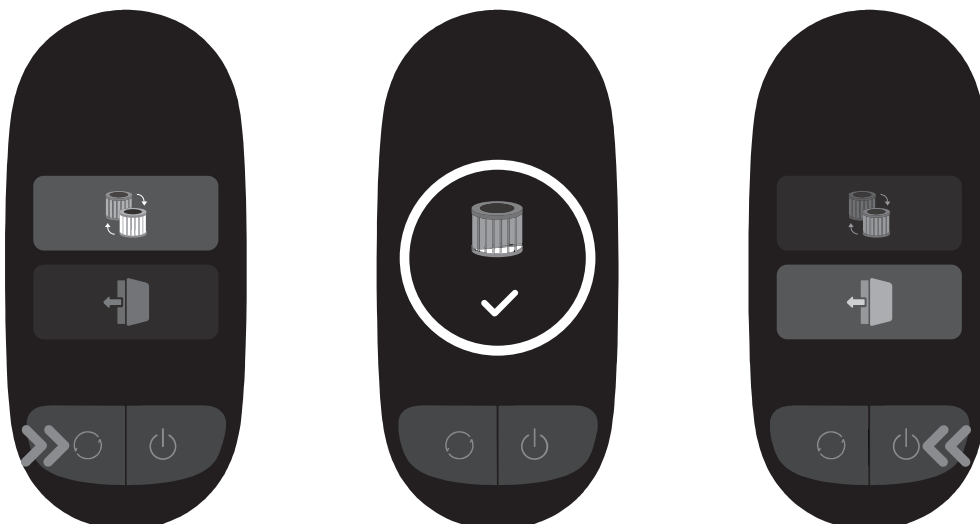
Restablecer el filtro

Mantenga pulsado el interruptor de nivel de succión ○ durante 3 segundos para seleccionar el restablecimiento del filtro y el filtro completará automáticamente el restablecimiento .

Modo de uso

Salir



Presione el botón de encendido  cuando se encuentre en la interfaz de configuración para volver directamente a la interfaz principal, o seleccione , luego, mantenga pulsado el interruptor de nivel de succión  durante 3 segundos para volver a la interfaz principal.




Nota:

- Si no se realiza ninguna operación durante más de 15 segundos, la pantalla se apagará y volverá a la interfaz principal cuando se encienda de nuevo.
- Si la aspiradora no funciona correctamente, en la pantalla aparecerá un mensaje de error. Consulte la sección de solución de problemas para encontrar la solución.

Iniciar la limpieza

Presione el botón de encendido  para iniciar el funcionamiento. Una vez finalizado el aspirado, presione el botón  y la cantidad de las distintas materias particuladas aspiradas se mostrará en la pantalla.



Presione el botón  para cambiar los niveles entre automático, eco y turbo, mostrándose el icono correspondiente en la pantalla.




Nota:

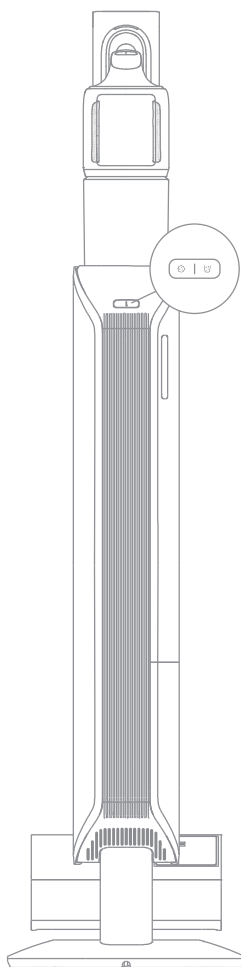
- Cuando cualquier modo de limpieza deja de funcionar, la aspiradora pasará por defecto al modo automático cuando se ponga en marcha de nuevo. La configuración por defecto de fábrica es el modo automático.
- Solo cuando funciona en modo automático, la potencia de succión y el color del indicador de nivel de suciedad cambian con la cantidad de materia particulada en tiempo real.

Inicio de ultra limpieza

Presione y mantenga pulsado el botón de ultra limpieza  durante 5 segundos para iniciar la limpieza profunda del depósito de eliminación de polvo mientras la colección de polvo está activa. Mantenga pulsado el botón de ultra limpieza  durante 5 segundos de nuevo para apagarlo.

Inicio de la recogida de polvo

Alinee el orificio de ventilación del recipiente de polvo con el depósito de eliminación de polvo para colocar la aspiradora. El depósito de eliminación de polvo iniciará la colección de polvo automáticamente. Presione brevemente el botón de colección de polvo  para detener o reiniciar la colección de polvo.



Modo de uso

Nota:

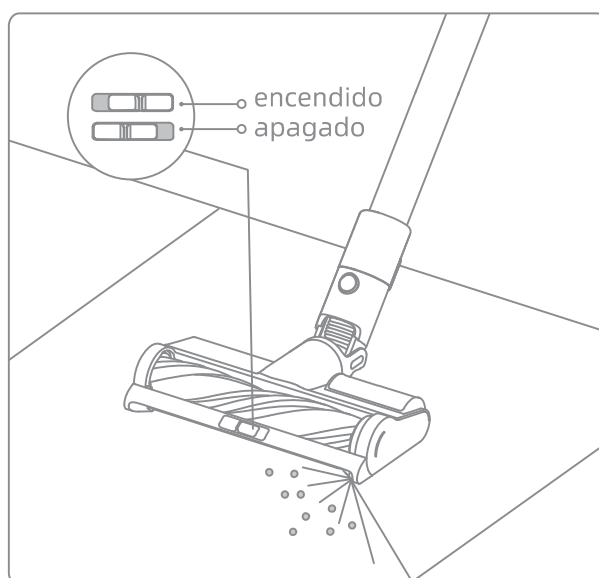
- Por defecto, la aspiradora pasa a la colección de polvo automática. Para cambiar a la colección de polvo manual, retire la aspiradora del depósito de eliminación de polvo y mantenga pulsado el botón de colección de polvo durante 5 segundos. El botón de colección de polvo parpadeará en color verde cinco veces para indicar que el cambio se ha realizado correctamente. Presione de nuevo el botón de colección de polvo durante 5 segundos para volver a la colección de polvo automática.
- Si la bolsa colectora de polvo alcanza su capacidad o el conducto de aire se bloquea durante el proceso de colección de polvo, el cubo de eliminación de polvo dejará de funcionar una vez que se complete el proceso y no podrá volver a recoger polvo.
- Si hay mucha basura en el depósito de polvo, realice el proceso de recolección de polvo varias veces para lograr mejores resultados de limpieza.

Uso de los diferentes accesorios

Cepillo Omni con iluminación

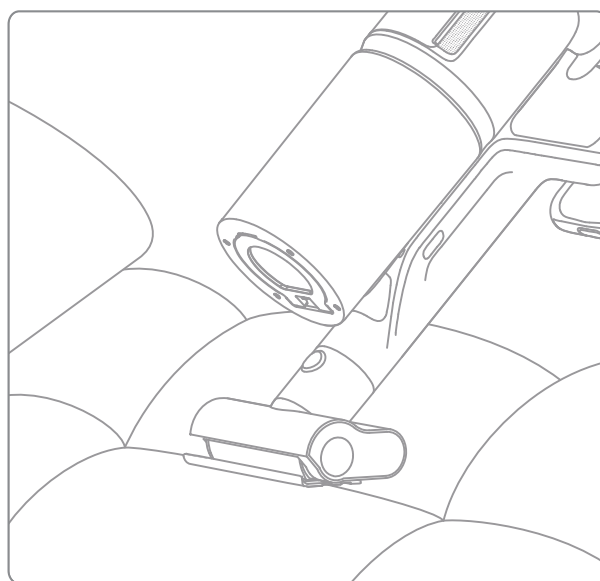
Adecuado para limpiar pisos duros, mármol, baldosas, alfombras con pelo de tamaño pequeño y medio y mucho más.

Cuando lo utilice sobre baldosas, pisos de madera u otras superficies duras, o para aspirar granos de café, palomitas de maíz y otros elementos granulados, empuje el interruptor hacia el otro lado. Cuando limpie alfombras, por favor, coloque el interruptor en la posición de apagado.



Mini-Cepillo motorizado

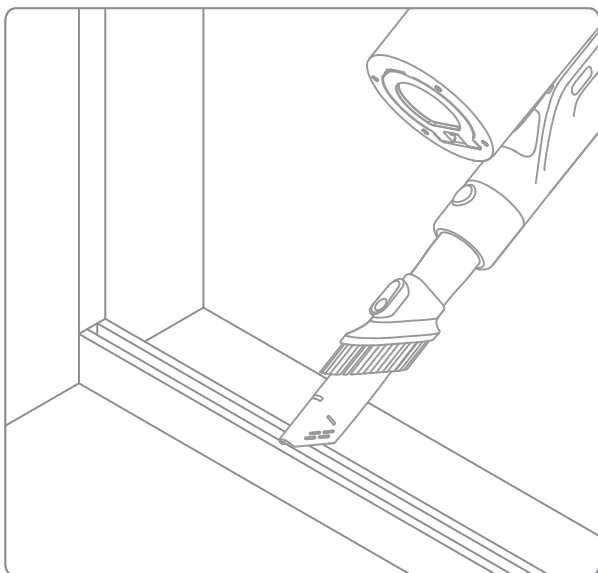
Para aspirar la suciedad, los pelos de mascota y otros restos resistentes de los sofás, la ropa de cama y otras superficies de tela.



Modo de uso

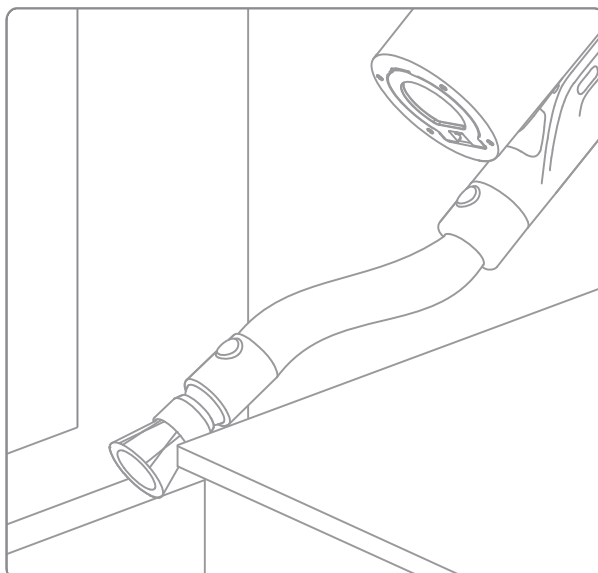
Herramienta de combinación

Adecuada para aspirar en grietas, esquinas de puertas y ventanas, escaleras y otros lugares de difícil acceso.



Cepillo giratorio suave para polvo

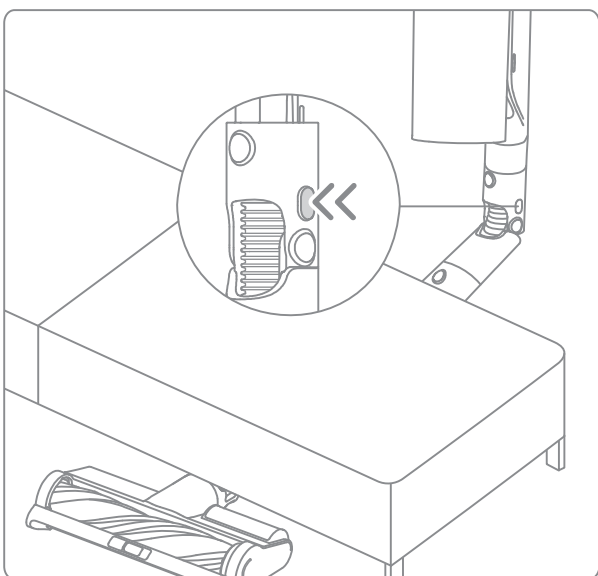
Se puede conectar a la manguera de extensión. Con un cabezal giratorio, es adecuado para limpiar superficies y rincones delicados y frágiles, como cristales, pantallas y teclados.



Adaptador flexible

Nota: Se recomienda utilizar el adaptador flexible para limpiar los muebles de altura baja y no se recomienda conectarlo al cuerpo de la aspiradora todo el tiempo para la limpieza diaria del piso.

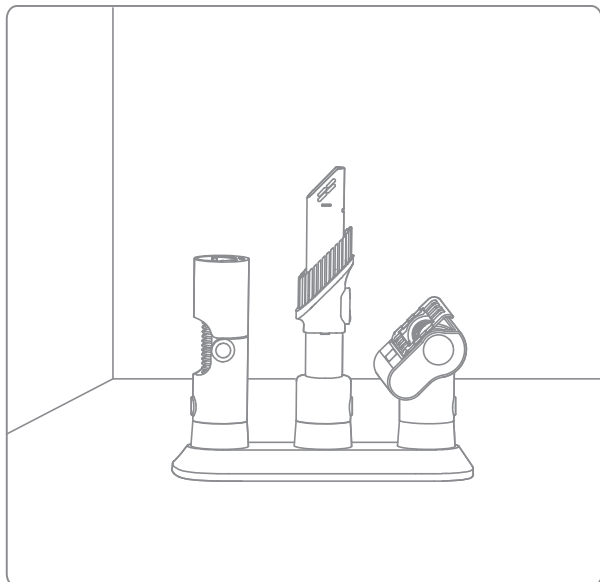
Doblar y extender la varilla con un clic puede alcanzar fácilmente bajo muebles de altura baja, como camas y sofás.



Modo de uso

Soporte de almacenamiento de accesorios

Cuando no se utilizan, los accesorios pueden colocarse en el soporte de almacenamiento como se muestra en el diagrama.



- Nota:
- Si alguna pieza giratoria se queda atascada, la aspiradora podría apagarse de forma automática. Extraiga los objetos extraños que se hayan quedado atascados y reanude el uso.
- Si el motor funciona a temperaturas demasiado elevadas, la aspiradora se apagará automáticamente. Espere a que la temperatura de la batería vuelva a ser normal y, a continuación, reanude el uso.

Cuidado y mantenimiento

Advertencia:

- Utilice siempre piezas originales para evitar que se anule la garantía.
- Si el filtro o la boquilla se obstruye, el aspirador dejará de funcionar poco después de encenderse. Para restaurar la funcionalidad, limpie el filtro o la boquilla.
- Antes de limpiar el depósito de polvo, desconecte el enchufe y mantenga el botón de encendido de la aspiradora en la posición de apagado.
- Si la aspiradora no se usa durante un largo período de tiempo, cárguela completamente, desconecte el cable de alimentación, retire la batería y guárdela en un ambiente fresco de baja humedad, retirado de la luz solar directa. Para evitar la descarga profunda de la batería, recárguela al menos una vez cada tres meses.

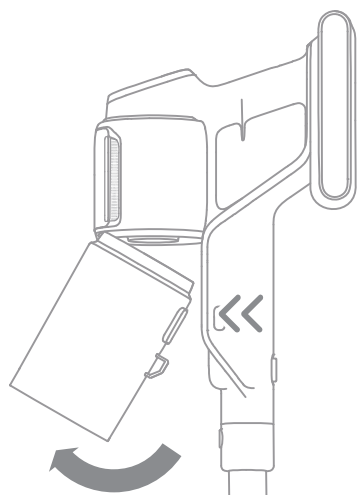
Limpieza de la aspiradora

Limpie la aspiradora con un paño seco y suave.

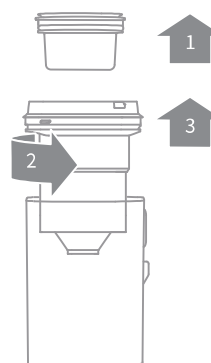
Cuidado y mantenimiento

Limpieza del compartimento para el polvo, el prefiltro y el separador ciclónico

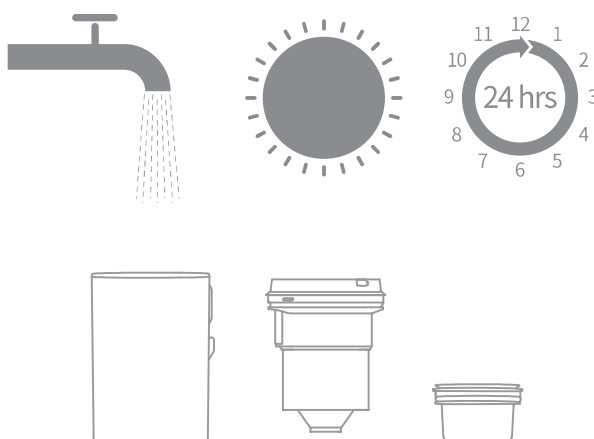
1. Presione el botón de liberación del recipiente de polvo y retírelode la aspiradora.



2. Retire primero el prefiltro y luego gire el sistema ciclónico para sacarlo.



3. Enjuague el conjunto ciclónico, el prefiltro y el recipiente de polvo hasta que queden limpios. Tras el lavado, seque al aire libre durante al menos 24 horas.



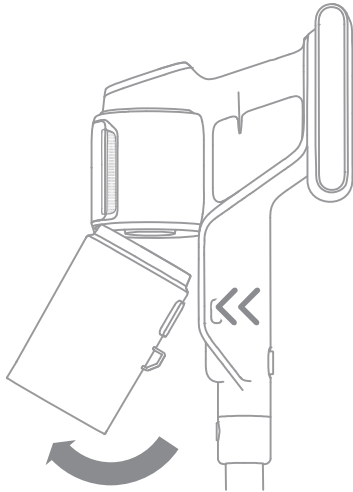
Nota:

- Limpie el depósito de polvo según sea necesario.
- Se recomienda limpiar el conjunto ciclónico y el prefiltro al menos una vez cada 3 a 4 meses.

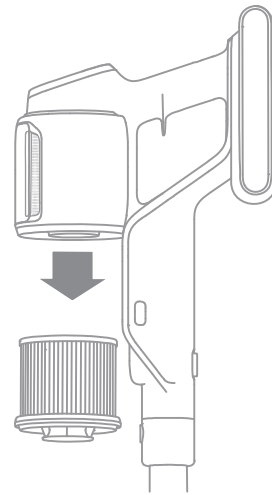
Cuidado y mantenimiento

Limpieza del filtro

1. Extraiga el compartimento del polvo como se indica en la imagen.



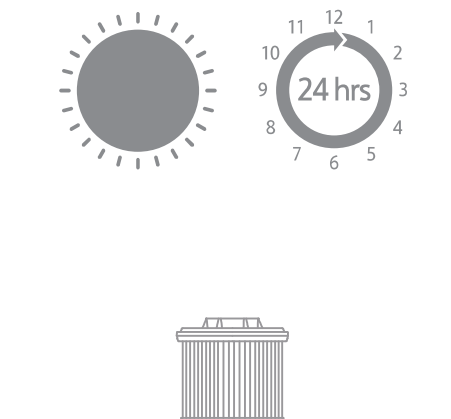
2. Extraiga el filtro de la aspiradora tirando hacia abajo, en la dirección que se muestra en la imagen.



3. Enjuague el filtro girándolo 360°. Golpee suavemente el filtro varias veces para remover cualquier residuo atrapado en él.



4. Deje secar el filtro durante, al menos, 24 horas.



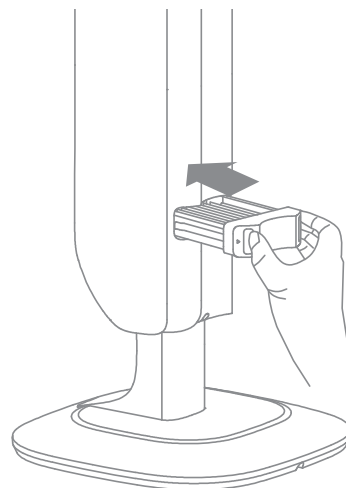
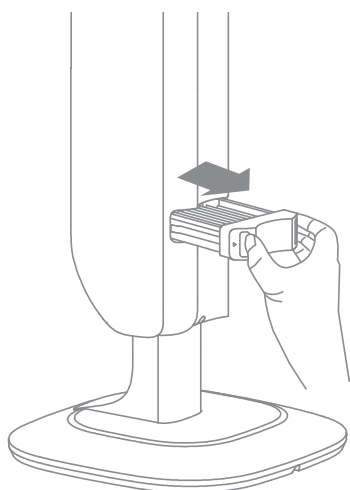
Nota:

- Utilice únicamente agua limpia para limpiar el filtro. No utilice detergentes.
- No intente limpiar el filtro con un cepillo ni con los dedos.
- Se recomienda limpiar el filtro una vez cada 4 o 6 meses.

Cuidado y mantenimiento

Reemplazo del filtro de salida de aire

1. Retire el filtro de salida de aire como se muestra en la figura.
2. Instale uno nuevo.

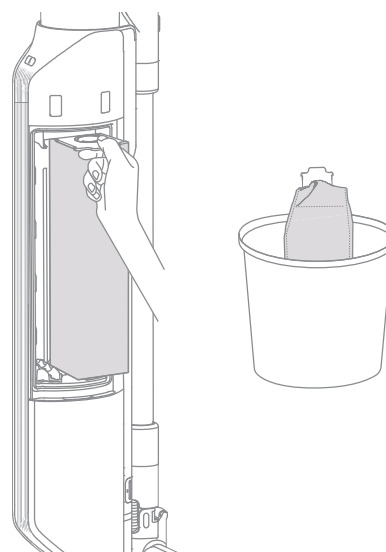
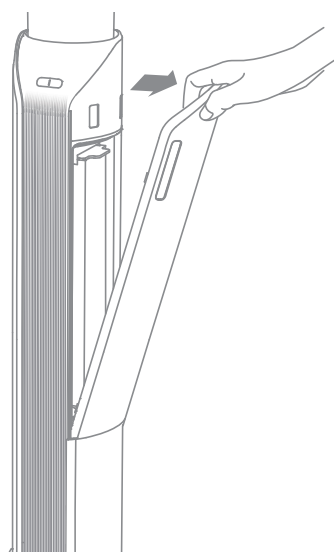


Nota:

- El filtro de salida de aire no es lavable.
- Se recomienda reemplazar el filtro una vez cada 4 a 6 meses.

Sustituya la bolsa colectora de polvo

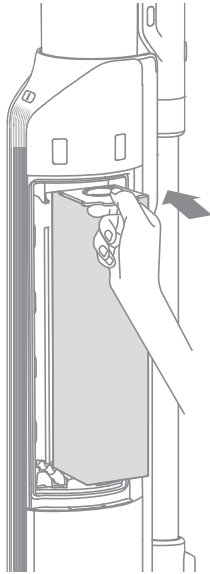
1. Retire la cubierta magnética del cubo de eliminación de polvo.
2. Extraiga la bolsa colectora de polvo y deséchela.



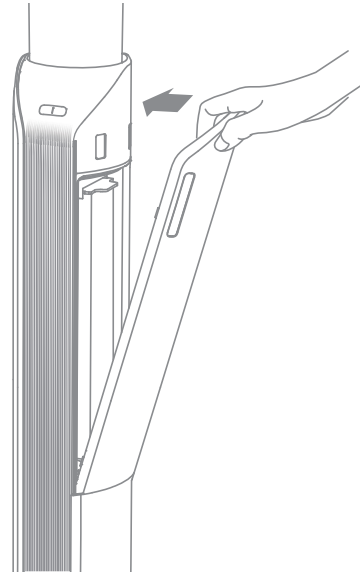
Cuidado y mantenimiento

Sustituya la bolsa colectora de polvo

3. Sustituya una nueva bolsa colectora de polvo. Inserte la manija de la bolsa en la ranura de la tarjeta para asegurar de que queda instalada en su lugar.



4. Vuelva a instalar la cubierta magnética. Asegúrese de que está correctamente instalada y de que el depósito de eliminación de polvo está completamente sellado.



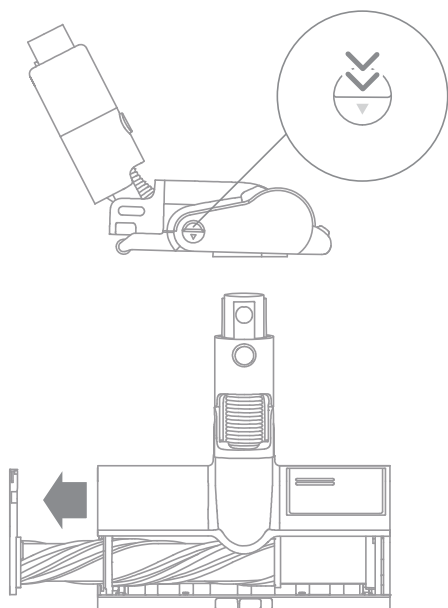
Nota:

- Cuando el botón de colección de polvo parpadea en color naranja, indica que la bolsa colectora de polvo alcanzó su capacidad y debe sustituirse.
- Se recomienda sustituir la bolsa colectora de polvo cada tres meses.

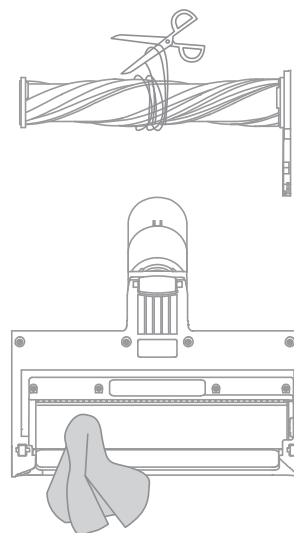
Cuidado y mantenimiento

Limpeza del cepillo Omni con iluminación

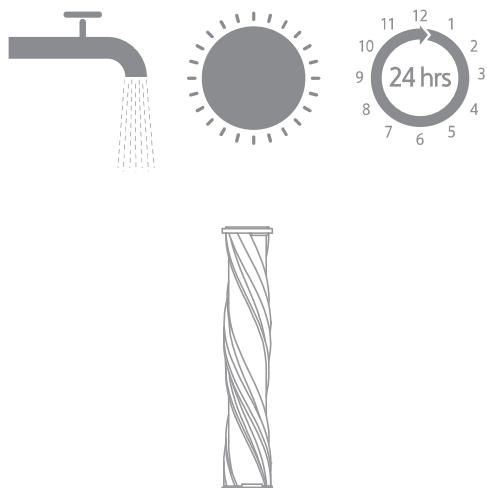
1. Como se muestra en la figura, empuje el bloqueo hacia abajo para retirar el rodillo del cepillo.



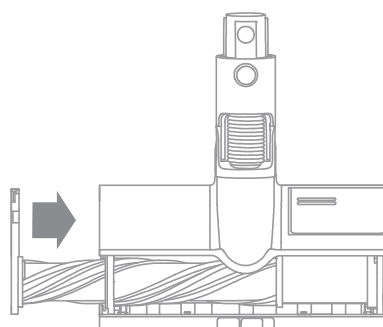
2. Utilice unas tijeras para cortar los pelos y las fibras que se atascan en el rodillo. Elimine el polvo de la muesca y la tapa transparente con un paño seco o una toalla de papel. Seque bien antes de utilizar.



3. Cuando está sucio, enjuague el rodillo con agua limpia hasta que esté limpio.



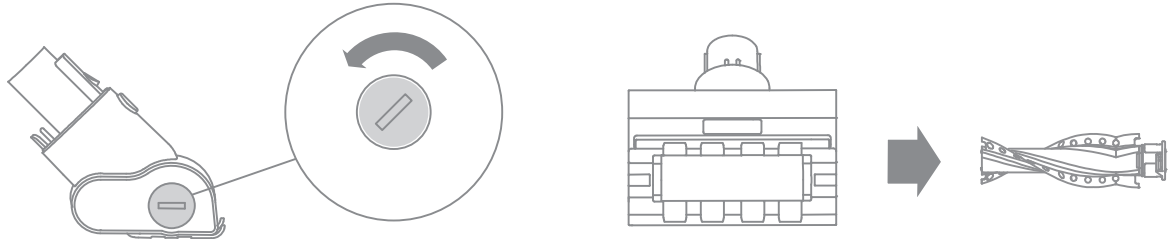
4. Coloque el rodillo en posición vertical durante al menos 24 horas hasta que esté completamente seco.



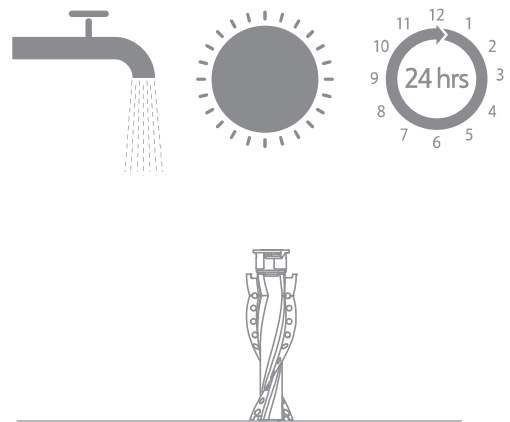
Cuidado y mantenimiento

Limpiar el Mini Cepillo Motorizado

1. Use una moneda como se ilustra para girar el seguro en sentido antihorario hasta que oiga un clic. Después de desbloquear el minic cepillo motorizado, retire el rodillo.



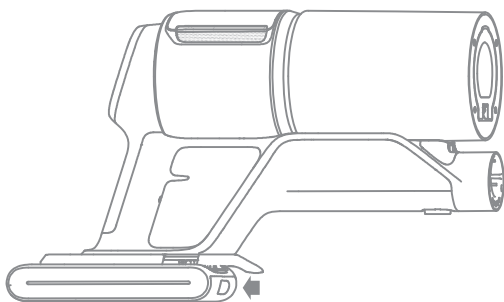
2. Enjuague y limpie el rodillo. Coloque el rodillo en posición vertical en un lugar bien ventilado durante al menos 24 horas hasta que esté completamente seco.



Reemplazo del paquete de baterías

La aspiradora contiene un pack de batería de ion de litio recargable y extraíble que cuenta con un número limitado de ciclos de recarga. Tras un uso prolongado, el pack de batería dejará de poder realizar una carga. Si esto ocurre, significará que el pack de batería ha alcanzado el fin de su vida útil y deberá sustituirlo.

1. Pulse el botón de liberación del pack de batería y deslícelo hacia la derecha para sacarlo, como se muestra en la imagen.
2. Instale el nuevo pack de batería.

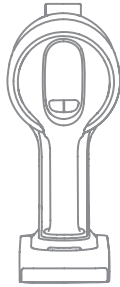


Preguntas frecuentes

Si el aspirador no funciona correctamente, consulte la siguiente tabla de posibles soluciones.





Averías comunes	Posible causa	Solución
La aspiradora no funciona.	No tiene batería o le queda poca.	Cargue completamente la aspiradora y reanude el uso.
	Activa el modo de protección contra sobrecalentamiento debido a una obstrucción.	Limpie la abertura de succión o el conducto de aire. Espere a que la aspiradora se enfríe y vuelva a activarla.
	La abertura de succión o el conducto de aire está bloqueado.	Limpie cualquier obstrucción de la abertura de succión o del conducto de aire.
La potencia de succión disminuye.	El compartimento de polvo está lleno y/o el filtro está obstruido.	Vacíe el depósito del polvo y limpie el conjunto del filtro.
	El accesorio ensamblado está bloqueada.	Despeje cualquier bloqueo en el accesorio ensamblado.
El motor hace un ruido raro.	La abertura de succión principal o la varilla extensible está bloqueada.	Limpie cualquier obstrucción en la abertura de succión principal o en la Varilla extensible.
El indicador de batería no se enciende durante la carga.	La aspiradora no está bien colocada en el cubo de eliminación de polvo.	Asegúrese de que los contactos de carga de la aspiradora estén alineados con los del cubo de eliminación de polvo.
	El enchufe de alimentación no está conectado correctamente.	Compruebe si el enchufe de alimentación está conectado de manera segura.
	Si el problema persiste después de descartar las dos posibilidades anteriores, póngase en contacto con el servicio posventa para obtener ayuda.	
La batería se carga lentamente.	La temperatura de la batería es demasiado alta o baja.	Espere a que la temperatura de la batería se normalice y reanude el uso.
Las luces LED del cepillo Omni con iluminación no funcionan.	Las luces LED están dañadas.	Póngase en contacto con el servicio posventa para obtener ayuda.
El botón de colección de polvo está en color naranja sólido.	La bolsa colectora de polvo está desinstalada o mal instalada.	Antes de que comience la colección de polvo, confirme que la bolsa colectora de polvo se haya instalado en su lugar.
El botón de colección de polvo parpadea en color naranja.	La bolsa colectora de polvo está llena.	Sustituya una nueva bolsa colectora de polvo. Luego, mantenga presionado el botón de colección de polvo durante 3 segundos para solucionar el problema.
El botón de ultra limpieza parpadea en color azul.	La ultra limpieza no funciona correctamente.	Póngase en contacto con el servicio posventa para obtener ayuda.

Indicador de estado de la batería

Estado	Posible causa	Solución	
El indicador está en color rojo.	El pack de batería está dañado.	Póngase en contacto con el servicio posventa para obtener ayuda.	
El indicador parpadea en color rojo.	Averías comunes	Póngase en contacto con el servicio posventa para obtener ayuda.	
El indicador parpadea en color blanco.	La temperatura de la batería es demasiado alta o baja.	Espere hasta que la temperatura de la batería vuelva a la normalidad, y vuelva a utilizarla.	

Solución de Problemas

Si la aspiradora no funciona correctamente, en la pantalla aparecerá un mensaje de error. Consulte la sección de solución de problemas para encontrar la solución.

Icono del Error	Mensaje del Error	Solución
	Nivel de batería bajo	Por favor, recárguela a tiempo.
	Sin batería	Por favor, recárguela a tiempo.
	La temperatura de la batería es demasiado alta	Espere a que la temperatura de la batería se normalice y reanude el uso.
	Conducto de aire bloqueado	Compruebe si el recipiente de polvo, varilla de extensión, cepillo omni con iluminación o el minicepillo motorizado están bloqueados.
	Cepillo giratorio atascado	Consulte la sección [Limpieza del cepillo Omni con iluminación] para limpiar los residuos y cabellos atascados alrededor del rodillo del cepillo.
	El filtro está caducando	Por favor, sustituya el filtro a tiempo.
	Sustituya el filtro	Después de sustituir el filtro, consulte [Configuración] para restablecer el filtro.
	Averías comunes	Póngase en contacto con el departamento de posventa para el mantenimiento.

Especificaciones

Aspiradora			
Modelo	VZV25A	Tiempo de carga	alrededor de 3,5 horas
Potencia nominal	715 W	Tensión nominal	29,6 V ===
Cepillo Omni con iluminación			
Modelo	VMBB		
Potencia nominal	70 W	Tensión nominal	25 V ===
Mini-Cepillo Motorizado			
Modelo	VMMY		
Potencia nominal	20 W	Tensión nominal	24 V ===
Cubo de eliminación de polvo			
Modelo	VCB2		
Entrada	120 V ~ 60 Hz , 8 A	Salida	35 V === 0,99 A
Potencia nominal	1050 W		
Paquete de batería de ion de litio recargable			
Modelo	V2405-851P-GYA	Tensión nominal	29,6 V ===
Capacidad real	2700 mAh	Capacidad nominal	2850 mAh
Energía	79,92 Wh		

The lithium-ion pack contains substances that are hazardous to the environment. Before disposing of the vacuum, please remove the battery pack, then discard or recycle it in accordance with local laws and regulations of the country or region it is used in.

