

Dreame T30 **Neo**

Cordless Stick Vacuum
User Manual

THANK YOU

FOR PURCHASING THIS DREAME VACUUM CLEANER.

Registration Quick Start

Welcome to register a Dreame account by scanning the QR code.

You are available for the User Manual and Special Offers.



With it you are obtaining a high quality product that is engineered for optimal performance. If you have any questions on the product, please contact us: aftersales@dreame.tech.

EN	User Manual	1
FR	Manuel d'utilisation	24
ES	Manual de usuario	47

IMPORTANT SAFETY INSTRUCTIONS

When using an electrical appliance, basic precautions should always be followed, including the following:

READ ALL INSTRUCTIONS BEFORE USING (THIS APPLIANCE). Failure to follow the warnings and instructions may result in electric shock, fire and/or serious injury.

SAVE THESE INSTRUCTIONS

Household use only.

WARNING – To reduce the risk of fire, electric shock, or injury:

- Do not use outdoors or on wet surfaces.
- Do not allow to be used as a toy. Close attention is necessary when used by or near children, pets or plants.
- Use only as described in this manual. Use only manufacturer's recommended attachments.
- Do not use with damaged cord or plug. If appliance is not working as it should, has been dropped, damaged, left outdoors, or dropped into water, return it to a service center.
- Do not pull or carry by cord, use cord as a handle, close a door on cord, or pull cord around sharp edges or corners. Do not run appliance over cord. Keep cord away from heated surfaces.
- Do not unplug by pulling on cord. To unplug, grasp the plug, not the cord.
- Do not handle charger, including charger plug, and charger terminals with wet hands.
- Do not put any object into openings. Do not use with any opening blocked; keep free of dust, lint, hair, and anything that may reduce air flow.
- Keep hair, loose clothing, fingers, and all parts of body away from openings and moving parts.
- Use extra care when cleaning on stairs.
- Do not use to pick up flammable or combustible liquids, such as gasoline, or use in areas where they may be present.
- Do not pick up anything that is burning or smoking, such as cigarettes, matches, or hot ashes.
- Do not use without dust cup and/or filters in place.
- Prevent unintentional starting. Ensure the switch is in the off-position before connecting to battery pack, picking up or carrying the appliance. Carrying the appliance with your finger on the switch or energizing appliance that have the switch on invites accidents.
- Disconnect the battery pack from the appliance before making any adjustments, changing accessories, or storing appliance. Such preventive safety measures reduce the risk of starting the appliance accidentally.
- Recharge only with the charger specified by the manufacturer. A charger that is suitable for one type of battery pack may create a risk of fire when used with another battery pack.
- Use appliances only with specifically designated battery packs. Use of any other battery packs may create a risk of injury and fire.

- When battery pack is not in use, keep it away from other metal objects, like paper clips, coins, keys, nails, screws or other small metal objects, that can make a connection from one terminal to another. Shorting the battery terminals together may cause burns or a fire.
- Under abusive conditions, liquid may be ejected from the battery; avoid contact. If contact accidentally occurs, flush with water. If liquid contacts eyes, additionally seek medical help. Liquid ejected from the battery may cause irritation or burns.
- Do not use a battery pack or appliance that is damaged or modified. Damaged or modified batteries may exhibit unpredictable behavior resulting in fire, explosion or risk of injury.
- Do not expose a battery pack or appliance to fire or excessive temperature. Exposure to fire or temperature above 130° C may cause explosion.
- Follow all charging instructions and do not charge the battery pack or appliance outside of the temperature range specified in the instructions. Charging improperly or at temperatures outside of the specified range may damage the battery and increase the risk of fire.
- Have servicing performed by a qualified repair person using only identical replacement parts. This will ensure that the safety of the product is maintained.
- Do not modify or attempt to repair the appliance or the battery pack except as indicated in the instructions for use and care.
- Do not use and store in extremely hot or cold environments (below 0°C/32°F or above 40°C/104°F). Please charge the cordless vacuum in temperature above 0°C/32°F and below 40°C/104°F.

Caution:

This device complies with Part 15 of the FCC Rules / Innovation, Science and Economic Development Canada's licence-exempt RSS(s). Operation is subject to the following two conditions: (1) this device may not cause harmful interference. (2) this device must accept any interference received, including interference that may cause undesired operation.

Changes or modifications not expressly approved by the party responsible for compliance could void the user's authority to operate the equipment.

This equipment has been tested and found to comply with the limits for a Class B digital device, pursuant to part 15 of the FCC Rules. These limits are designed to provide reasonable protection against harmful interference in a residential installation. This equipment generates uses and can radiate radio frequency energy and, if not installed and used in accordance with the instructions, may cause harmful interference to radio communications. However, there is no guarantee that interference will not occur in a particular installation. If this equipment does cause harmful interference to radio or television reception, which can be determined by turning the equipment off and on, the user is encouraged to try to correct the interference by one or more of the following.

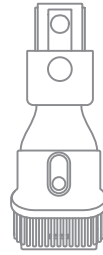
— — —	Direct current
~	Alternating current

Product Overview

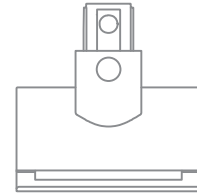
Accessories



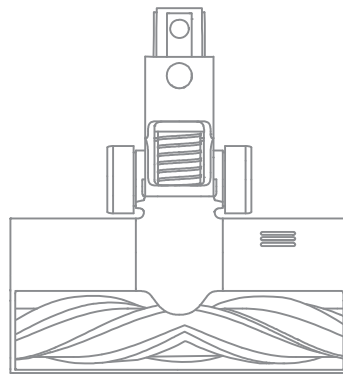
Extension Rod



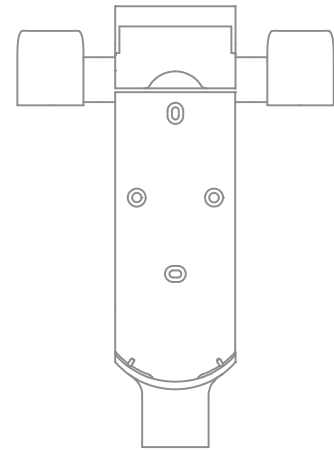
2-in-1 Brush Nozzle



Mini Electric Brush



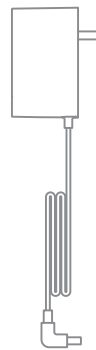
Multi-Brush Bar



2-in-1 Charging & Storage Mount
(Including screws ×2, wall plugs
×2, and mounting template
sticker)



Crevice Nozzle

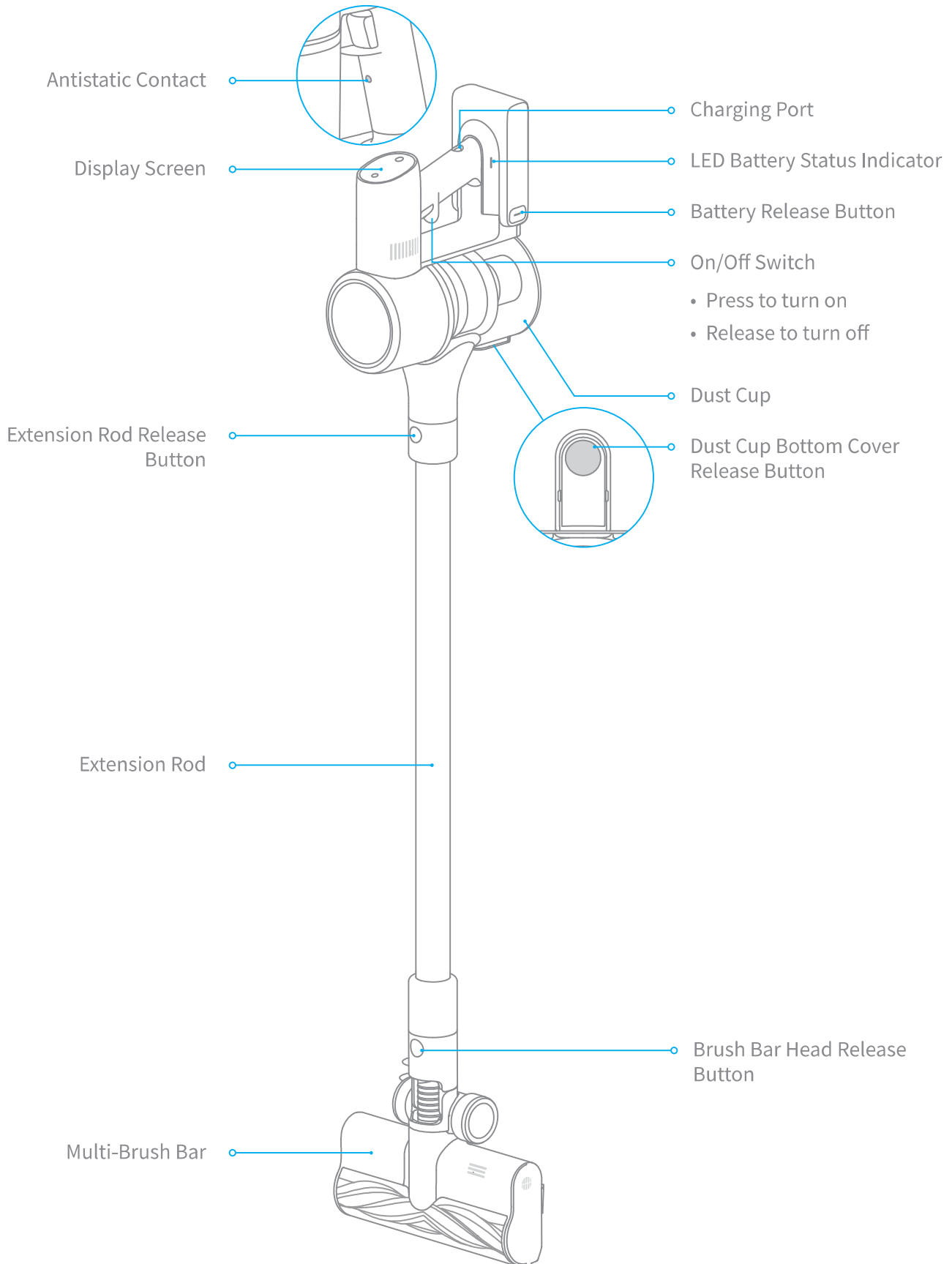


Charger

Note: The images in this manual are for illustrative purposes only. The actual product may differ.

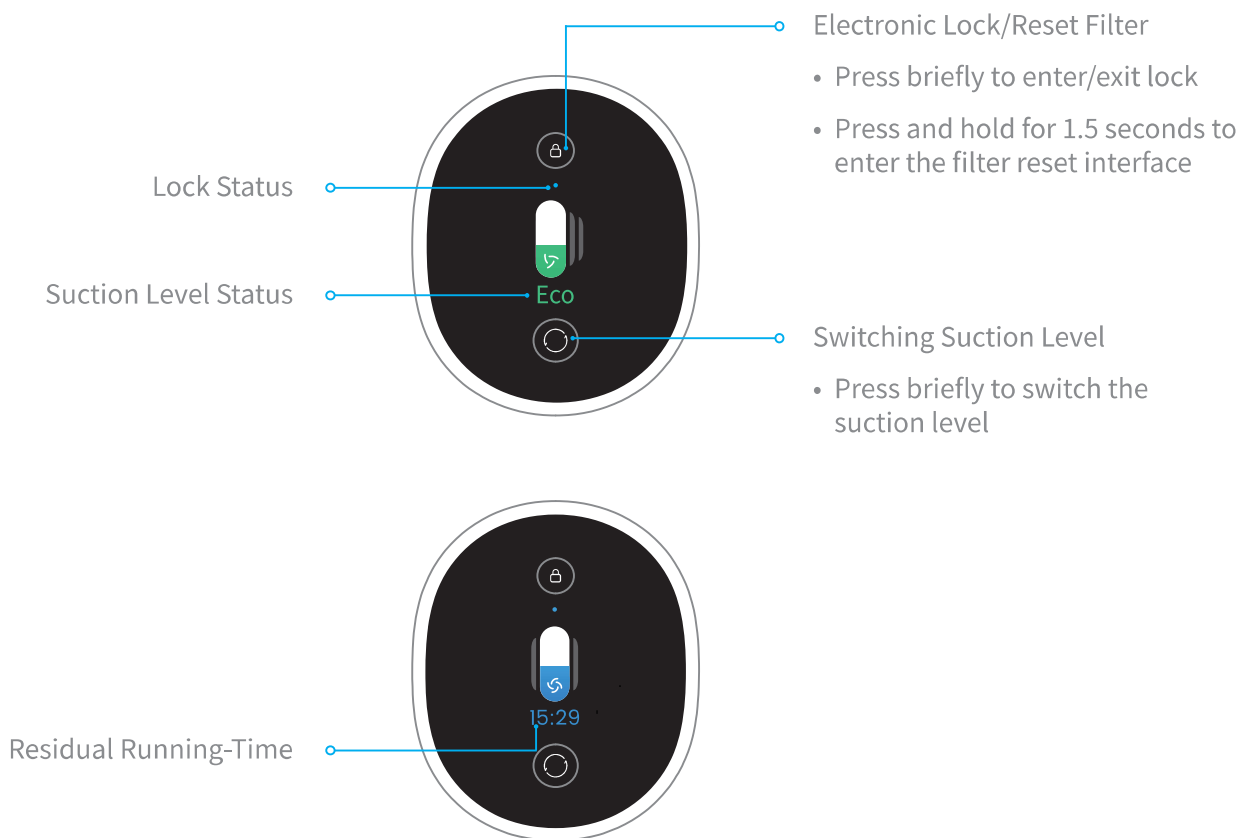
Product Overview

Component Names



Product Overview

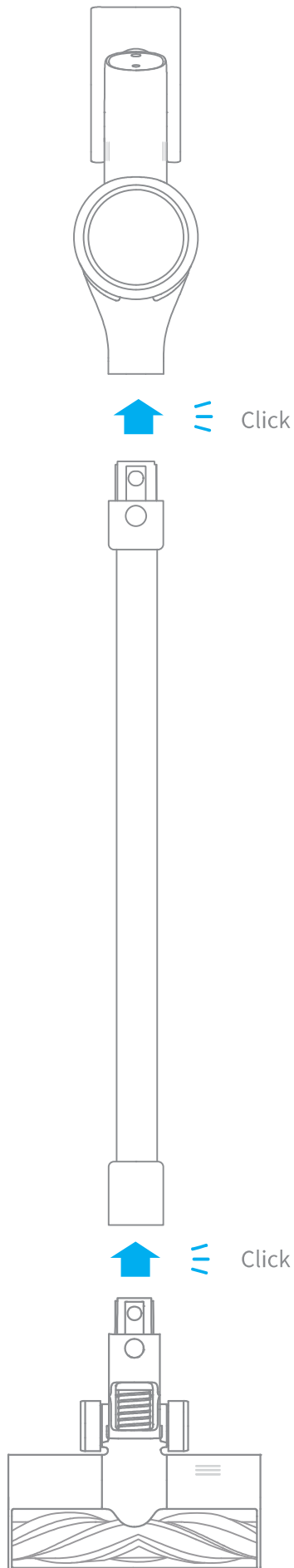
Introduction of Display Screen



Note: Residual time is for reference only and it may be different from the actual time.

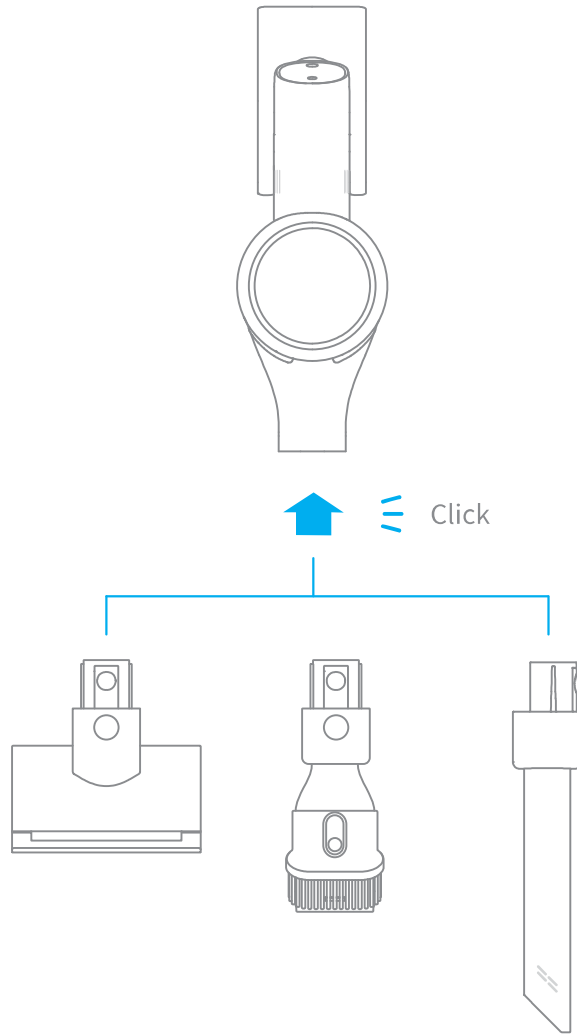
Installation

Vacuum Installation Diagram



Installation

Accessories Installation Diagram



Installation

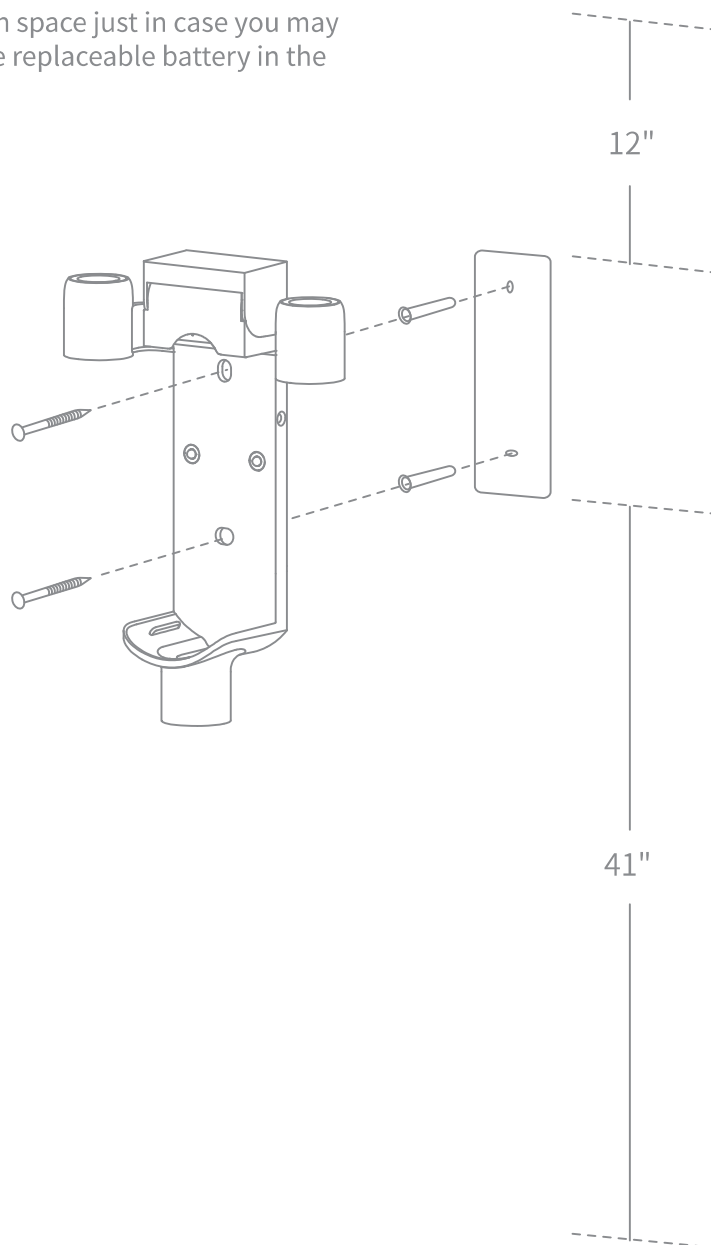
2-in-1 Charging & Storage Mount Installation Diagram

(The 2-in-1 charging & storage mount is an optional accessory. You can install it based on your needs.)

Note: The 2-in-1 charging & storage mount should be installed in a cool, dry place with an electrical outlet nearby. Prior to installing, ensure that there are no electrical wires or pipes in the space directly behind where the mount will be installed.

- The bottom of the mounting template sticker should be level and at least 103cm from the ground. The top should have at least 30cm* of clearance above it.
- Use a power drill with an 8mm drill bit to drill a hole into each marker on the mounting template sticker, then insert a wall plug into each hole.
- Align the locating holes on the mount with the holes on the wall. Fasten it to the wall with the included screws.

*30cm: Leave enough space just in case you may need to purchase the replaceable battery in the future.



Charging

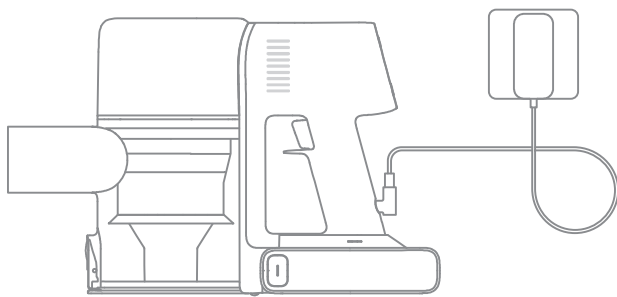
Fully charge the vacuum before using it for the first time.

Note:

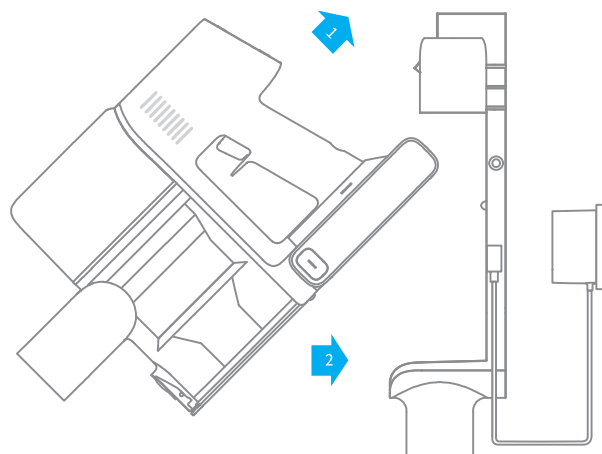
- A full charge will take approx. 4 hours.
- Vacuuming in Turbo Mode for a prolonged period will cause the battery to heat up, which increases charging time. Allow the vacuum to cool down for 30 minutes before charging it.

Charging Methods

Charging the vacuum with the charger



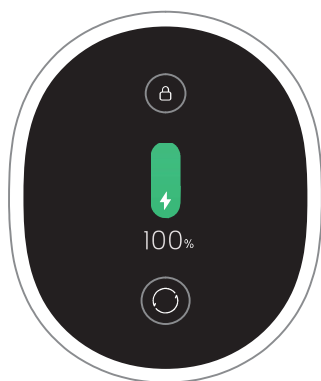
Charging the vacuum on the charging mount



Battery Status Display

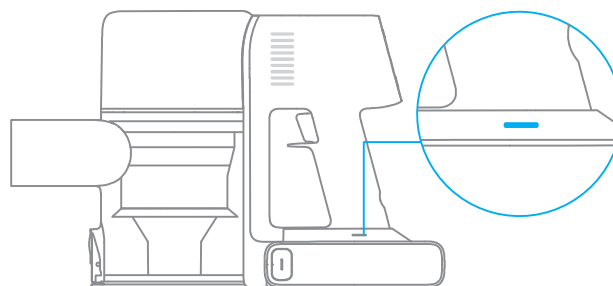
Display Screen

The number on the display screen represents the current battery level in a percentage during charging. When the number becomes 100, the battery is fully charged.



LED Battery Status Indicator




When charging, the indicators blink white. When the charging is completed, the indicators keep solid white.



Note: Once the vacuum is fully charged, the indicator will turn off after 5 minutes, and the vacuum will enter energy-saving mode.


How to Use

Setting Language

Press and hold the button  for 3 seconds to open the language list, then press the button  to scroll through the language to select the desired one. Press and hold the button  for 3 seconds to use the selected language.



Note:

- The display screen will return to the main page if there is no operation for more than 15 seconds.
- To exit the menu interface, click the button  to select "Exit".

Switching Suction Level

Press the button  to switch between three suction levels of eco, med and turbo. The corresponding suction level will be highlighted on the display screen.

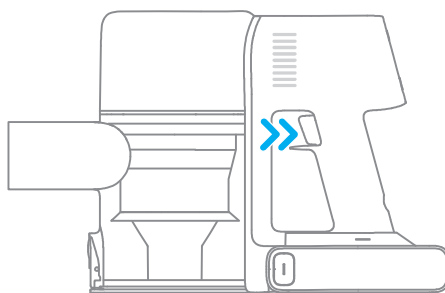
Note: Stop the vacuum at any time while cleaning. It will continue to use the last selected suction level when starting again.

Working Methods

Select from two working methods for the vacuum based on your needs.

Method 1: Discontinuous Cleaning Mode

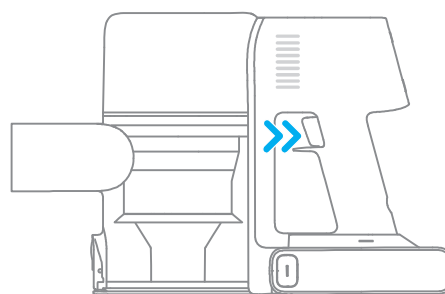
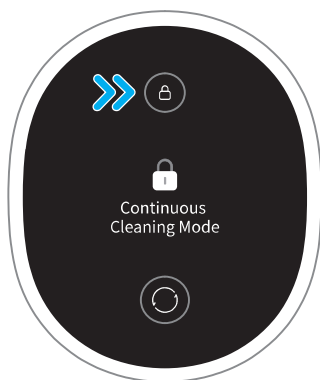
Press and hold the switch of the vacuum to enable this mode, and release it to stop immediately.



Method 2: Continuous Cleaning Mode (Electronic Lock)

Click the electronic lock key to switch to Continuous Cleaning Mode, and then briefly press the on/off switch to keep the vacuum in Continuous Cleaning Mode.

Use the electronic lock to free your fingers from fatigue caused by holding the switch.



Note:

- In this mode, briefly press the on/off switch to suspend the operation or start again and the working mode of the vacuum will not change.
- Click the electronic lock again to quit Continuous Cleaning Mode.

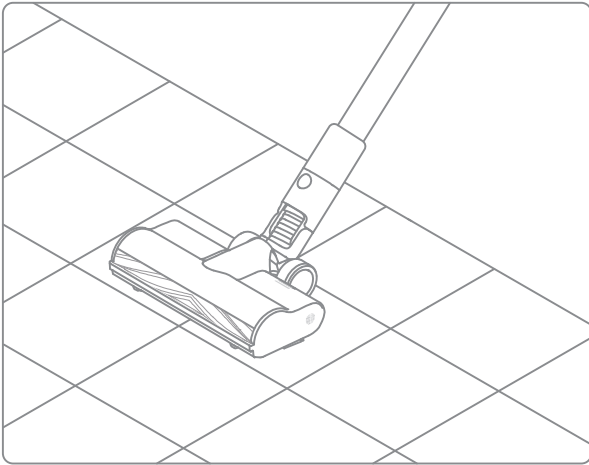
How to Use

Using Different Accessories

Multi-Brush Bar

Suitable for vacuuming on the med/low pile carpets, tiles and floors.

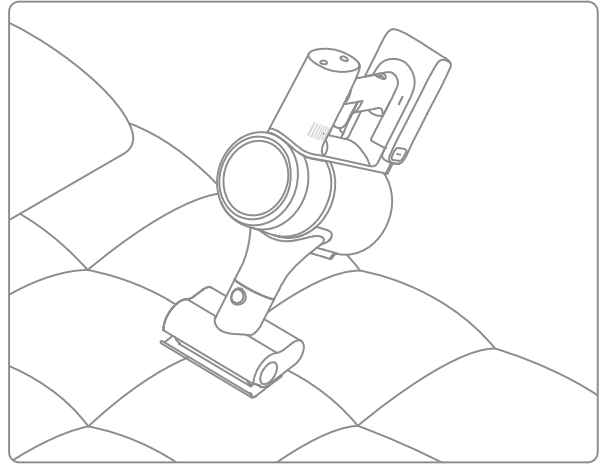
Note: The multi-brush bar can be attached directly to the vacuum.



Mini Electric Brush

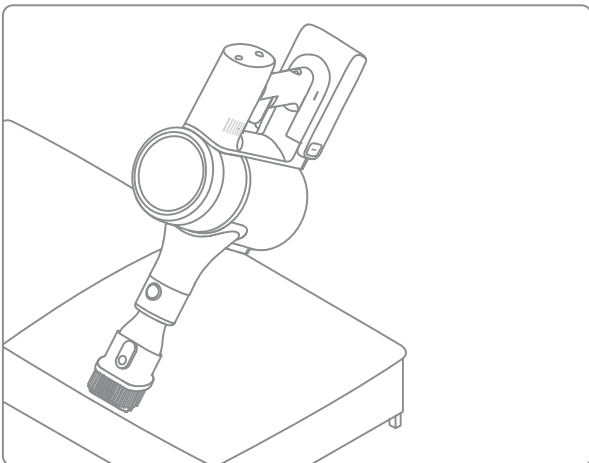
For vacuuming dirt, pet hair, and other stubborn debris from sofas, bedding, and other fabric surfaces.

Note: It is not recommended to vacuum on fragile surfaces, such as silk.



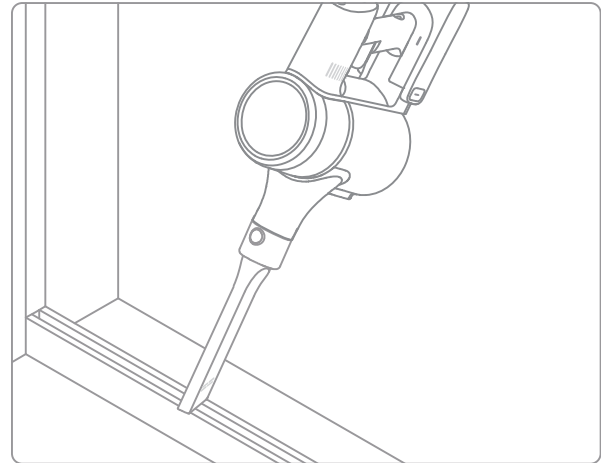
2-in-1 Brush Nozzle

For vacuuming dust from curtains, keyboards, ceilings, sofas, vehicle interiors, coffee tables, etc.



Crevice Nozzle

Suitable for vacuuming cracks, corners of doors and windows, stairs, and other hard-to-reach places.



Note:

- If any rotating part becomes stuck, the vacuum may shut off automatically. Remove any trapped objects so the device can function normally.
- When the battery becomes overheated, the vacuum will automatically shut off. Wait until the battery temperature returns to normal, then the vacuum will work normally.

Tips:

1. Always use genuine parts to keep your warranty from becoming void.
2. If the filter or nozzle becomes clogged, the vacuum will stop working shortly after being turned on. To restore normal functions, clean the filter and/or nozzle.
3. If the vacuum is not be used for an extended period, fully charge it, unplug its charger, and store it in a cool, low-humidity environment away from direct sunlight. To avoid over-discharging the battery, recharge the vacuum at least once every three months.

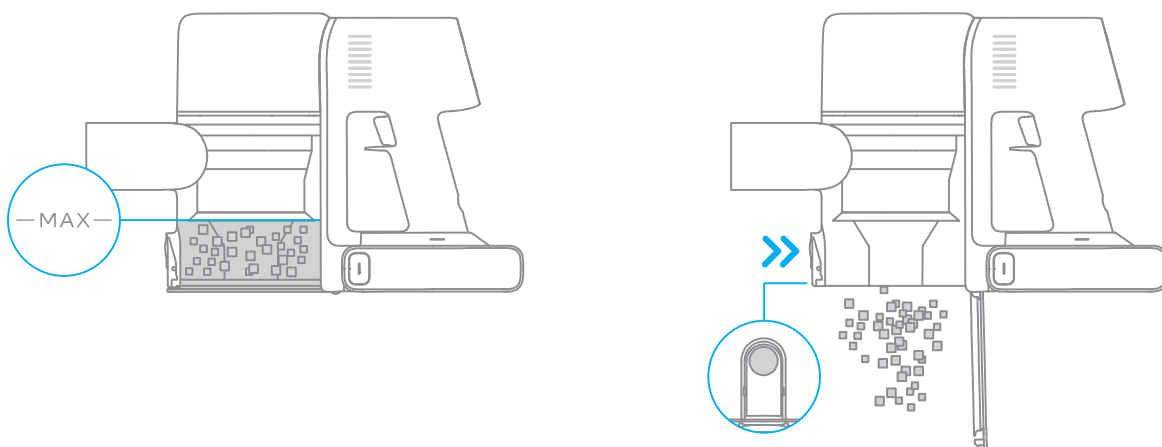
Cleaning the Vacuum

Wipe the vacuum with a soft dry cloth.

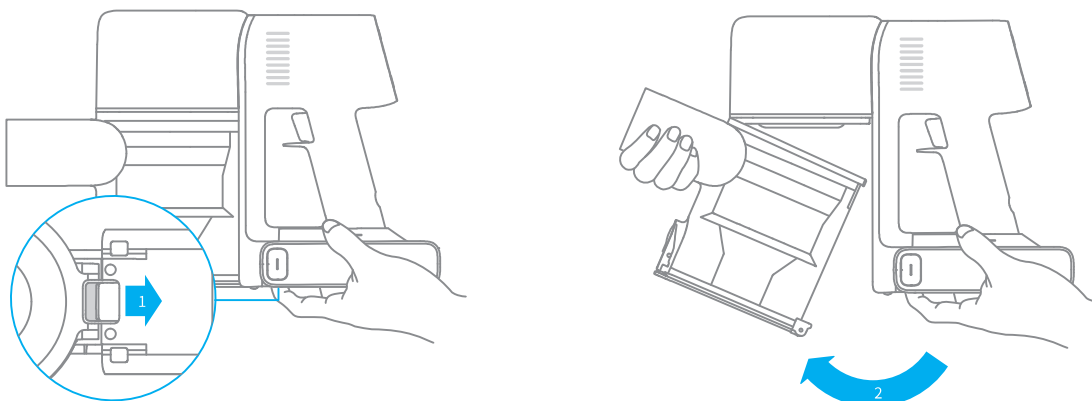
Cleaning the Dust Cup, Pre-Filter, and Cyclone Assembly

The vacuum's cleaning ability will be reduced if the dust cup is filled to the "MAX" mark. To regain performance, empty the dust cup in a timely manner. Before emptying the cup, make sure the vacuum is disconnected from the power, and do not press its power button.

1. Press the dust cup bottom cover release button, then empty the contents.

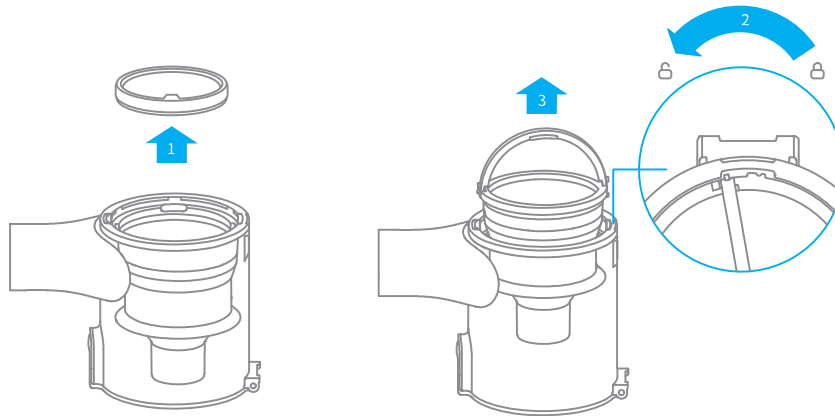


2. Push the dust cup release switch in the direction indicated by the arrow, then gently remove the dust cup from the vacuum.

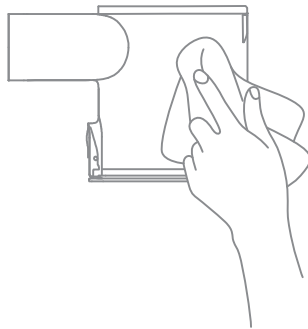


Care & Maintenance

3. Remove the pre-filter first, then lift the handle of the cyclone assembly and turn it counterclockwise until it stops, then pull to lift out the cyclone assembly.

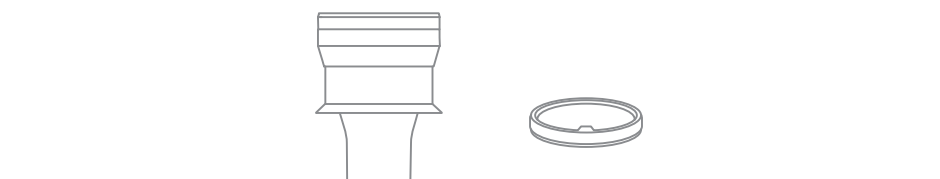
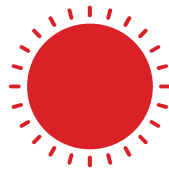


4. Wipe the dust cup with a soft wet cloth. Pay attention to wring out the discloth before using.



To avoid the risk of electric shock, do not rinse the dust cup with water.

5. Rinse the cyclone assembly and pre-filter until they are clean. After washing, air dry for at least 24 hours.



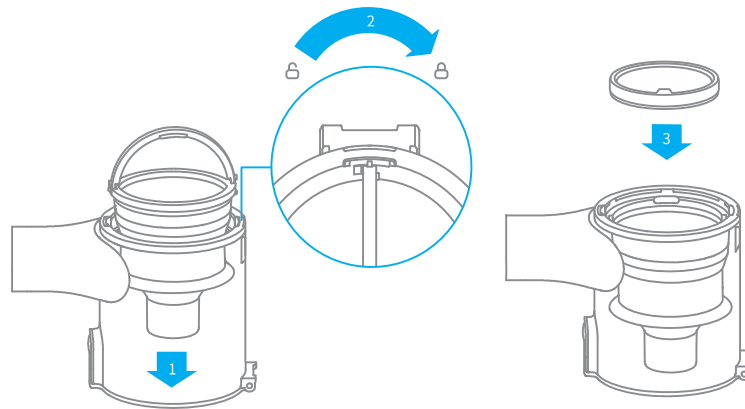
Cyclone Assembly

Pre-Filter

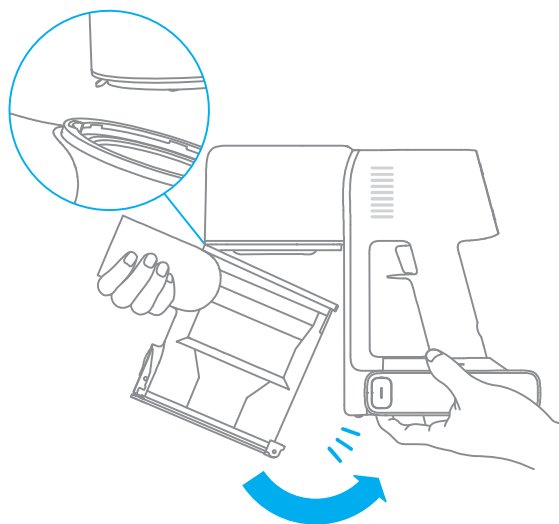
Note: It is recommended to clean the pre-filter at least once every 3 months and the cyclone system at least once every 6 months.

Installing the Dust Cup, Pre-Filter, and Cyclone Assembly

1. Insert the cyclone assembly vertically into the dust cup, and make sure that the handle of the cyclone assembly line up with the slot on the left side of the dust cup. Turn the handle clockwise until it locks, then flip the handle down.
2. Place the pre-filter with its front side facing up into the cyclone assembly.



3. Slightly tilt the dust cup so its slot aligns with the clip on the vacuum. Then gently push the dust cup until it clicks into place.

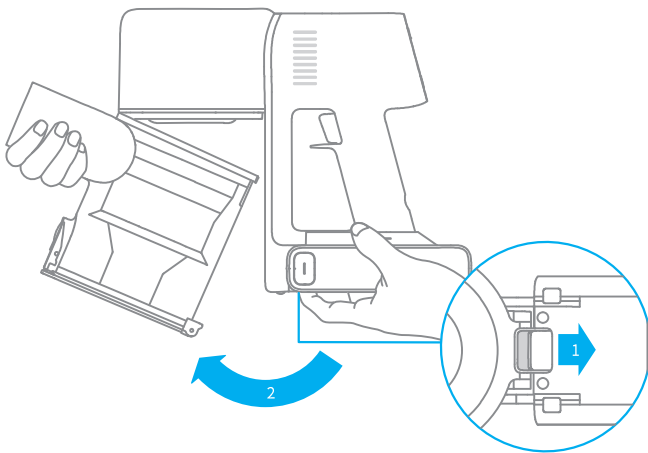


Care & Maintenance

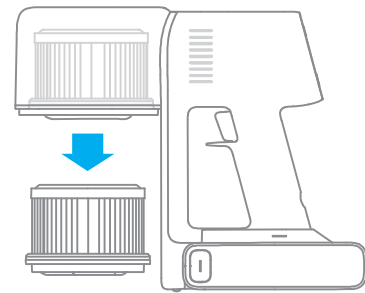
Cleaning the Filter

It is recommended to clean the filter once every 4 to 6 months.

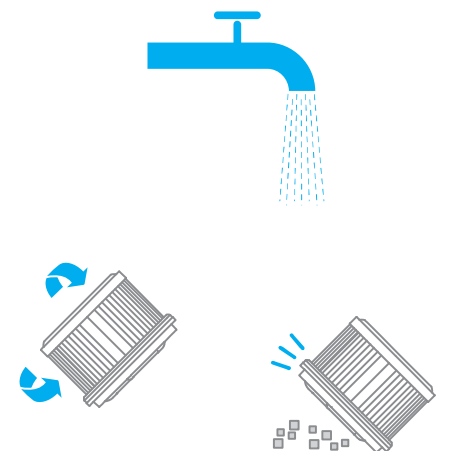
1. Remove the dust cup as shown in the figure.



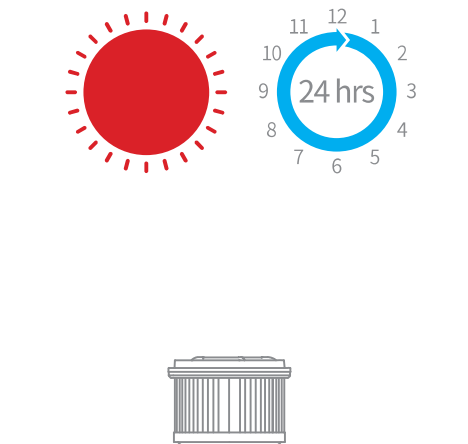
2. Remove the filter from the vacuum by pulling it down in the direction shown in the figure.



3. Clean the filter with clean water. Make sure you rotate the filter 360° to thoroughly and remove all dust caught in the filter. Lightly tap the filter several times to remove any excess dirt.



4. Allow the filter to air dry for 24 hours.

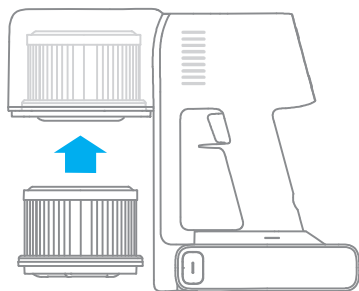


Note:

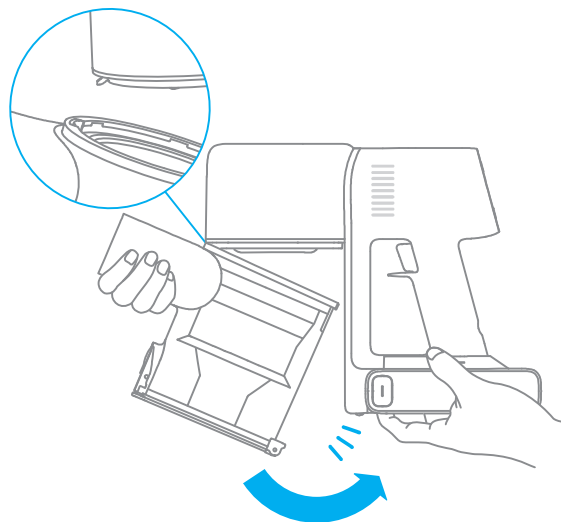
- Only use clean water to wash the filter. Do not use detergent.
- Do not attempt to clean the filter with a brush or finger.

Installing the Filter

1. Insert the filter into the vacuum and gently press down, as illustrated.



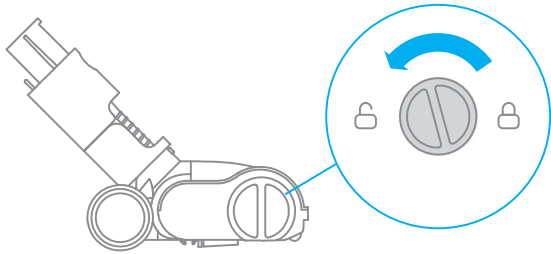
2. Reinstall the dust cup.



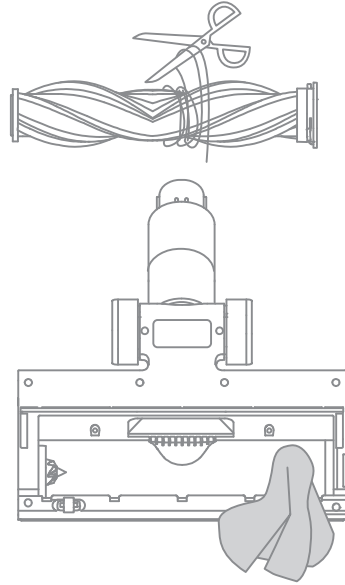
Care & Maintenance

Cleaning the Multi-Brush Bar

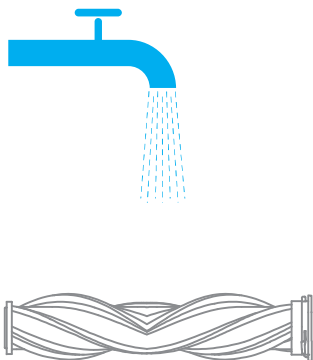
1. Turn the lock counterclockwise until it stops, then remove the roller brush from the multi-brush bar.



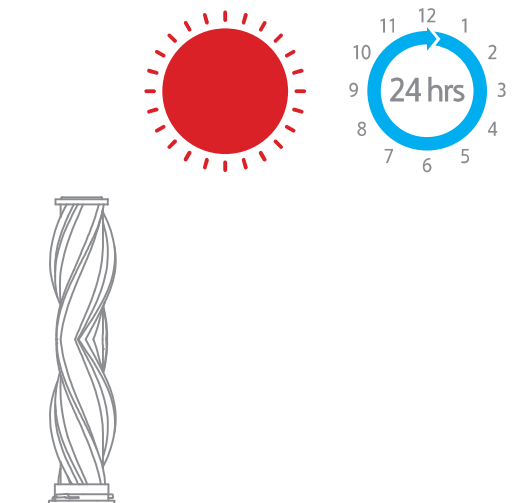
2. Use scissor to cut off the hairs and fibers that get stuck on the brush bar head. Wipe the dust from the notch and transparent cover with a dry cloth or paper towel. Thoroughly dry before use.



3. When it is dirty, rinse the roller brush with clean water until it is clean.

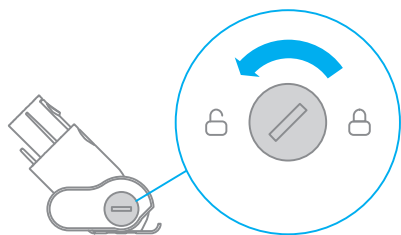


4. Stand the roller brush upright for at least 24 hours until it is fully dry.

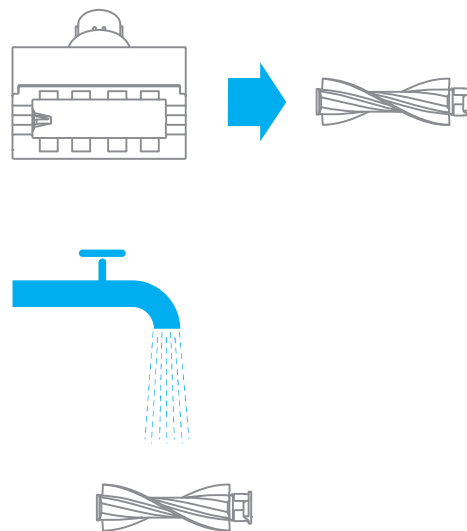


Cleaning the Mini Electric Brush

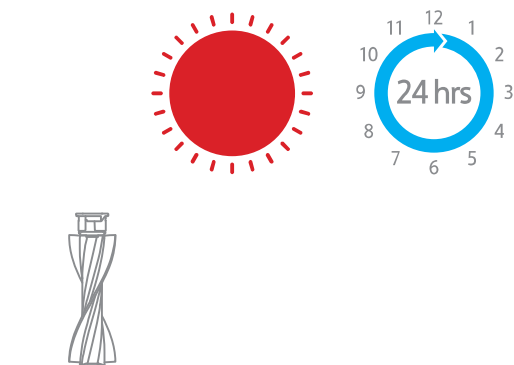
1. Use a coin as illustrated to rotate the lock counterclockwise until you hear a click.



2. After unlocking the mini roller brush, remove it from the mini electric brush, then rinse and clean the brush head.



3. Stand the mini roller brush upright in a well-ventilated area for at least 24 hours until it is fully dry.



4. Once the mini roller brush is dry, reinstall it by following the disassembly steps in reverse.

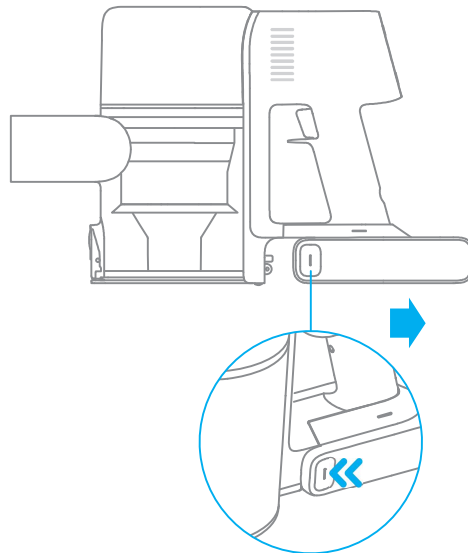


Care & Maintenance

Battery Pack

The vacuum contains a removable rechargeable lithium-ion battery pack which has a limited number of recharge cycles. After extended use, the battery pack may no longer hold a charge. If this happens, it means the battery pack has reached the end of its life cycle and needs to be replaced.

1. Press down the battery pack release button and slide the battery pack to the right, as illustrated, to remove it.
2. Install the new battery pack.



Specifications

Vacuum Cleaner			
Model	VTE3	Charging Voltage	34 V ---
Rated Power	550 W	Rated Voltage	29.6 V ---
Charging Time	Approx. 4 hours	Battery Capacity	2900 mAh (Nominal Capacity)
Multi-Brush Bar			
Model	AVB15		
Rated Power	40 W	Rated Voltage	29.6 V ---
Mini Electric Brush			
Model	VPA3		
Rated Power	20 W	Rated Voltage	29.6 V ---
Charger			
Model	ZD024M340090US		
Input	100 - 240 V ~ 50-60 Hz, 0.8 A max	Output	34 V --- 0.9 A
Rechargeable Lithium-Ion Battery Pack			
Model	P2033-8S1P-PAA	Battery Capacity	2900 mAh (Nominal Capacity)
Nominal Voltage	29.6 V ---	Energy	81.4 Wh

The lithium-ion pack contains substances that are hazardous to the environment. Before disposing of the vacuum, please remove the battery pack, then discard or recycle it in accordance with local laws and regulations of the country or region it is used in.

If the vacuum is not working properly, please refer to the table below.

Errors	Possible Causes	Solutions
Vacuum does not work	Vacuum is out of battery or low on power.	Fully charge the vacuum, then continue to use it.
	Overheat protection mode triggered by a blockage.	Clean the suction openings or air duct. Wait until the vacuum cools down, then reactivate it.
	Suction opening or air duct is blocked.	Clear any blockage from suction opening or air duct.
Weak suction force	Dust cup is full and/or filter assembly is clogged.	Empty the dust cup and clean the filter assembly.
	Attachment is blocked.	Clear any blockage in the attachment.
Motor is making a strange noise	Main suction opening or extension rod fiber rod is blocked.	Clear any blockage in the main suction opening or extension rod.
The battery indicator does not light up when charging	The charger does not plug into the vacuum well.	Check whether the charger is properly plugged into the vacuum.
	The battery is fully charged and went into sleep mode.	The vacuum can be used normally.
	If the problem persists after ruling out the above two possibilities.	Please contact the after-sales service department for maintenance.
The vacuum charges slowly	Battery temperature is too low or too high.	Wait until the battery's temperature returns normal, then continue to use the vacuum.

Troubleshooting

If you pay attention to any abnormality during the use of the product, a prompt will be shown on the screen. You should follow the instructions on the screen to keep the performance normal.

Error Icon	Error Message	Solutions
	Battery overheating	Please wait and continue to use after motor temperature is normal.
	Roller brush stuck	Refer to the maintenance guide [Cleaning the Multi-Brush Bar] section to clean the fiber material and hairs wrapped around the roller brush.
	Air duct blocked	Check whether the dust cup, extension rod, multi-brush bar, and filter are blocked.
	Error	Please contact the after-sales department for maintenance.
	Low battery	Recharge soon.
	The battery runs out	Recharge soon.
	Filter is expiring	Please replace the filter in time.
	Filter uninstalled	Ensure that the filter and pre-filter are installed correctly.
	Replace the filter	Refer to the maintenance manual [Cleaning the Filter] section to remove the filter and replace it. After replacing the filter, press and hold the button  for 1.5 seconds to enter the countdown to reset the filter, then hold the button for another 5 seconds until  appears on the screen. 

Consignes de sécurité

IMPORTANTES MESURES DE SÉCURITÉ

L'utilisation d'un appareil électrique demande certaines précautions:

LIRE TOUTES LES INSTRUCTIONS AVANT DE FAIRE FONCTIONNER (CETAPPAREIL), Le non-respect des mises en garde et des instructions peut causer des chocs électriques, des incendies et/ou des blessures graves.

CONSERVER CES INSTRUCTIONS

Usage Domestique seulement.

AVERTISSEMENT – Pour réduire les risques d'incendie, de choc électrique ou de blessure:

- Ne pas exposer à la pluie, Ranger à l'intérieur.
- Ne pas permettre aux enfants de jouer avec l'appareil. Une attention particulière est nécessaire lorsque l'appareil est utilisé par des enfants ou à proximité de ces derniers.
- N'utiliser que conformément à cette notice avec les accessoires recommandés par le fabricant.
- Ne pas utiliser si le cordon ou la fiche est endommagé. Retourner l'appareil à un atelier de réparation s'il ne fonctionne pas bien, s'il est tombé ou s'il a été endommagé, oublié à l'extérieur ou immergé.
- Ne pas tirer soulever ni trainer l'appareil par le cordon. Ne pas utiliser le cordon comme une poignée, le coincer dans l'embrasure d'une porte ou l'appuyer contre des arêtes vives ou des coins. Ne pas faire rouler l'appareil sur le cordon. Garder le cordon à l'écart des surfaces chaudes.
- Ne pas débrancher en tyrant sur le cordon. Tirer plutôt la fiche.
- Ne pas manipuler le chargeur, y compris la prise du chargeur, et les bornes du chargeur avec les mains mouillées
- N'insérer aucun objet dans les ouvertures. Ne pas utiliser l'appareil lorsqu'une ouverture est bloquée. S'assurer que de la poussière, de la peluche, des cheveux ou d'autres matières ne réduisent pas le débit d'air.
- Maintenir les cheveux, les vêtements amples, les doigts et toutes les parties du corps à l'écart des ouvertures et des pièces mobiles.
- User de prudence lors du nettoyage des escaliers.
- Ne pas aspirer des liquides inflammables ou combustibles, comme de l'essence, et ne pas faire fonctionner dans des endroits où peuvent se trouver de tels liquides.
- Ne pas aspirer de matières en combustion ou qui dégagent de la fumée, comme des cigarettes, des allumettes ou des cendres chaudes.
- Ne pas utiliser l'appareil si le compartiment à poussière ou le filtre n'est pas en place.
- Éviter une mise en marche accidentelle. S'assurer que l'interrupteur est à la position arrêt avant de raccorder la batterie, de lever ou de déplacer l'appareil. Transporter l'appareil en gardant un doigt sur l'interrupteur, ou mettre sous tension un appareil dont l'interrupteur est à la position marche peut causer un accident.
- Retirer la batterie de l'appareil avant d'effectuer des réglages, changer les accessoires ou ranger l'appareil. Ces mesures de sécurité ont pour but d'éviter une mise en marche accidentelle de l'appareil.

- Recharger uniquement avec le chargeur prescrit par le fabricant. Un chargeur convenant à un type de batterie peut présenter un risque d'incendie lorsqu'il est utilisé avec une autre batterie.
- Utiliser uniquement les batteries recommandées pour l'appareil. L'utilisation d'autres types de batteries peut présenter un risque de blessure ou d'incendie.
- Lorsque l'appareil n'est pas utilisé, tenir la batterie loin d'objets métalliques comme des trombones, des pièces de monnaie, des clés, des clous, des vis ou autres petits objets qui pourraient établir une liaison entre les bornes. Un court-circuit des bornes des batteries peut causer des brûlures ou un incendie.
- En condition d'usage abusif, du liquide peut s'échapper de la batterie ; éviter tout contact avec ce liquide. En cas de contact accidentel, rincer abondamment avec de l'eau. En cas de contact avec les yeux, consulter également un médecin. Le liquide projeté peut causer des irritations ou des brûlures.
- Ne pas utiliser une batterie ou un appareil endommagé ou qui a été modifié. Des batteries endommagées ou modifiées peuvent avoir un comportement imprévisible pouvant causer un incendie, une explosion ou un risque de blessure.
- Ne pas exposer une batterie ou un appareil à la flamme ou à des températures excessives. L'exposition à une flamme ou à des températures supérieures à 130 ° C peut causer une explosion.
- Respecter toutes les instructions de chargement et ne pas charger la batterie ou l'appareil à des températures qui ne sont pas incluses dans la gamme de températures indiquées dans la notice d'instructions. Un chargement mal effectué.
- Ne pas l'utiliser ni le stocker dans des environnements extrêmement chauds ou froids (en dessous de 0°C/32°F ou au-dessus de 40°C/104°F). Veuillez charger l'aspirateur sans fil dans des températures supérieures à 0°C/32°F et inférieures à 0°C/104°F.

Confier les réparations à une personne qualifiée qui utilisera uniquement des pièces de remplacement identiques. Cette façon de faire garantira la sécurité du produit.

Ne pas modifier ni tenter de réparer l'appareil ou la batterie sauf comme il est indiqué dans les instructions d'utilisation et d'entretien.

L'émetteur/récepteur exempt de licence contenu dans le présent appareil est conforme aux CNR d'Innovation, Sciences et Développement économique Canada applicables aux appareils radio exempts de licence. L'exploitation est autorisée aux deux conditions suivantes :

1. L'appareil ne doit pas produire de brouillage;
2. L'appareil doit accepter tout brouillage radioélectrique subi, même si le brouillage est susceptible d'en compromettre le fonctionnement.

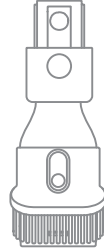
==	Courant continu
~	Courant alternatif

Présentation du produit

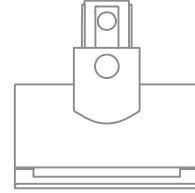
Liste des accessoires



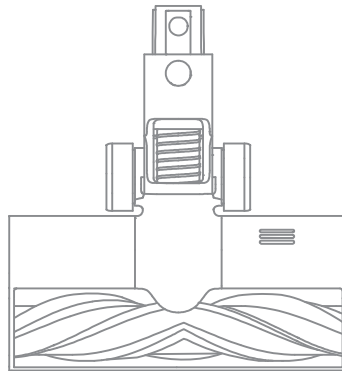
Tige de rallonge



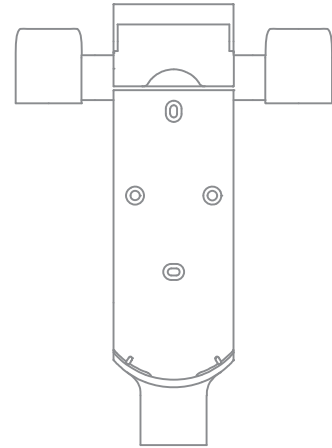
Bec de brosse 2-en-1



Mini brosse électrique



Barre multi-brosses



Station de charge et de stockage 2-en-1 (inclut 2 vis, 2 chevilles murales, un patron d'installation autocollant)



Bec pour fentes

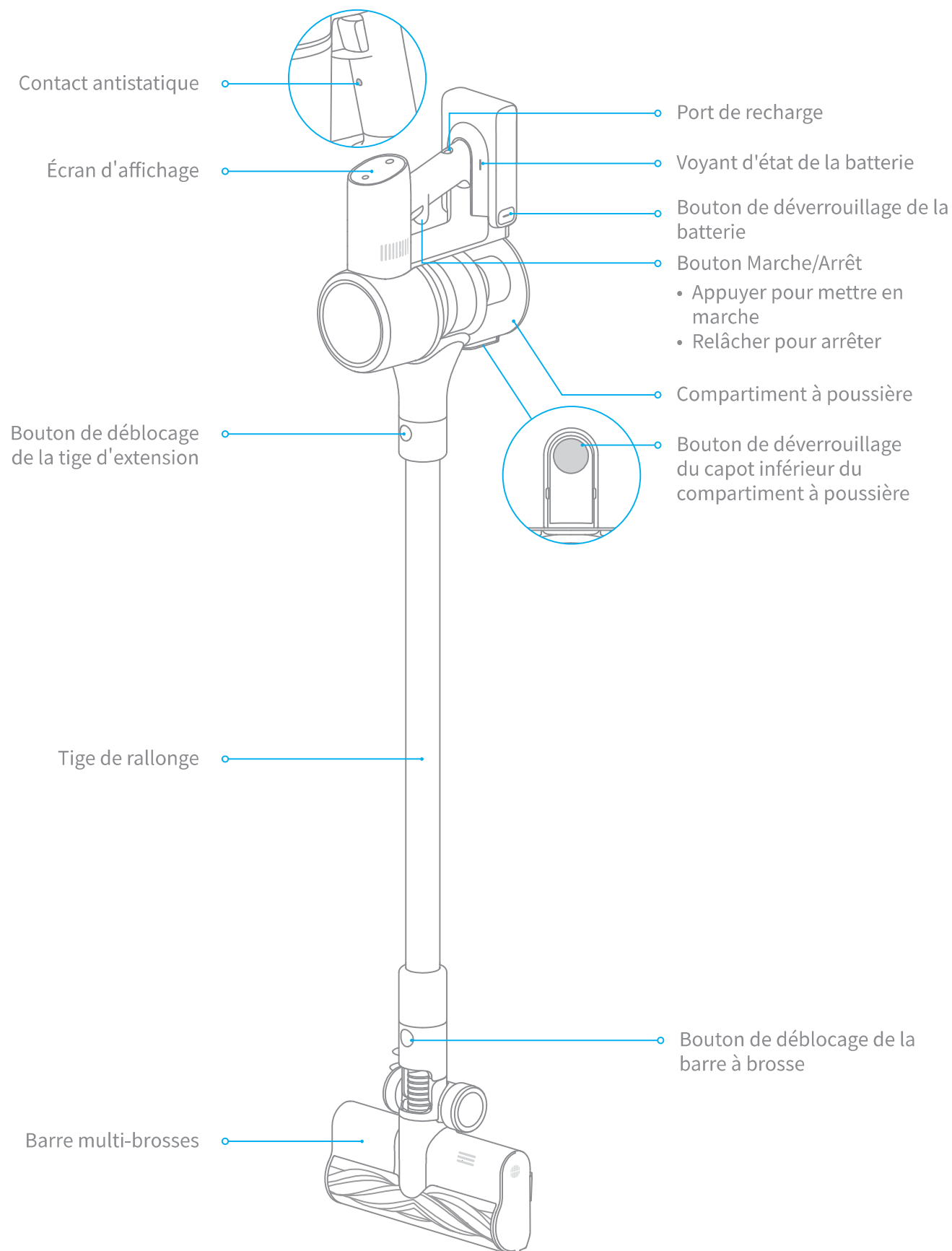


Chargeur

Rappel : Photo non contractuelle, veuillez vous référer aux objets concrets.

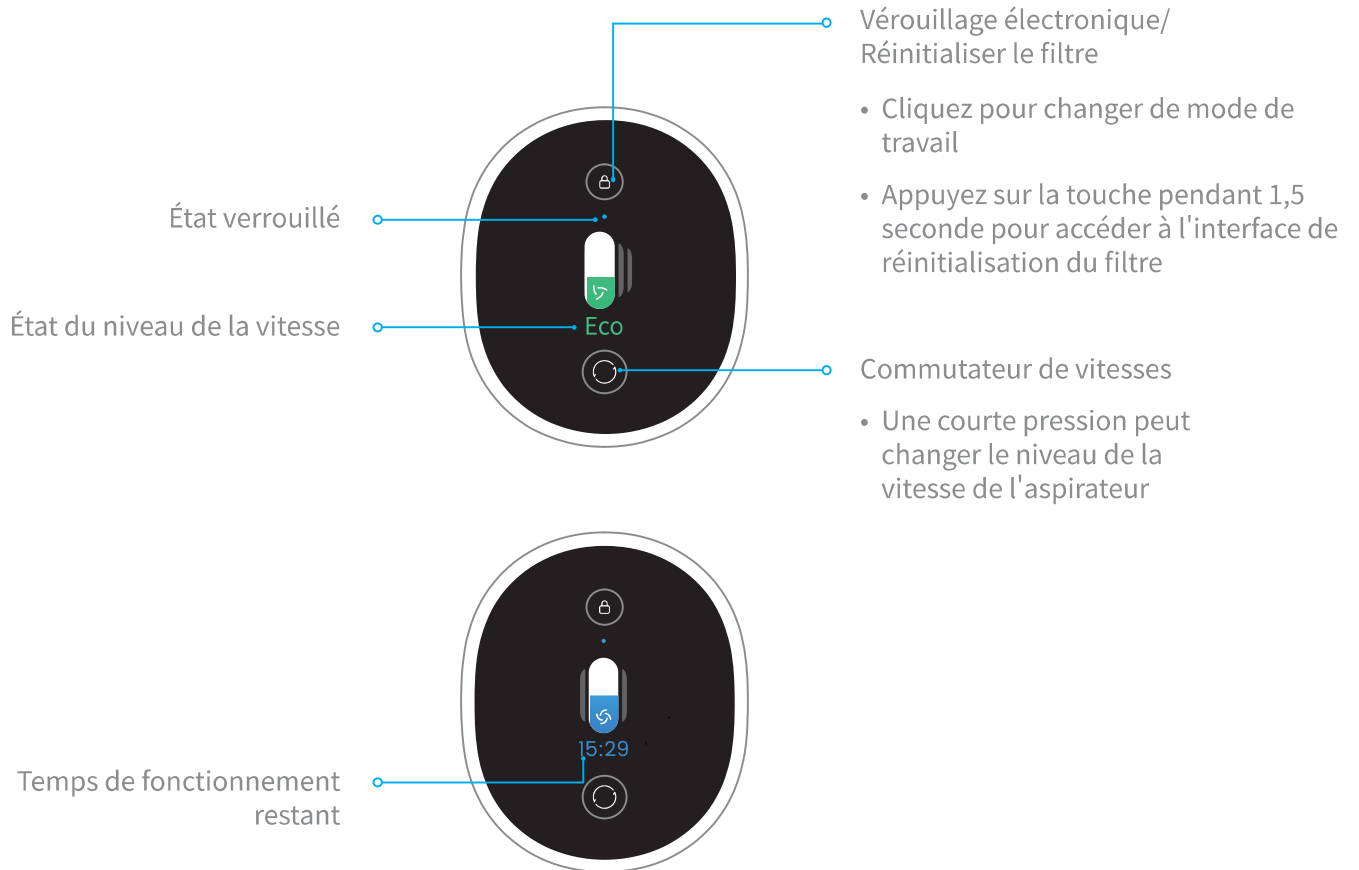
Présentation du produit

Nom du composant



Présentation du produit

Fonction introduction de l'écran d'affichage



Remarque : Le temps de fonctionnement restant est estimé pour référence mais peut différer du temps réel.

Procédure d'installation

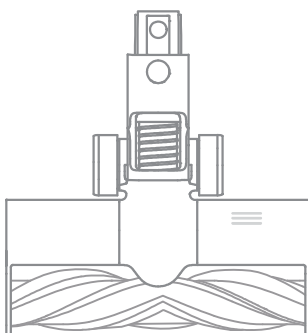
Installation des accessoires
sur l'aspirateur



Cliquer

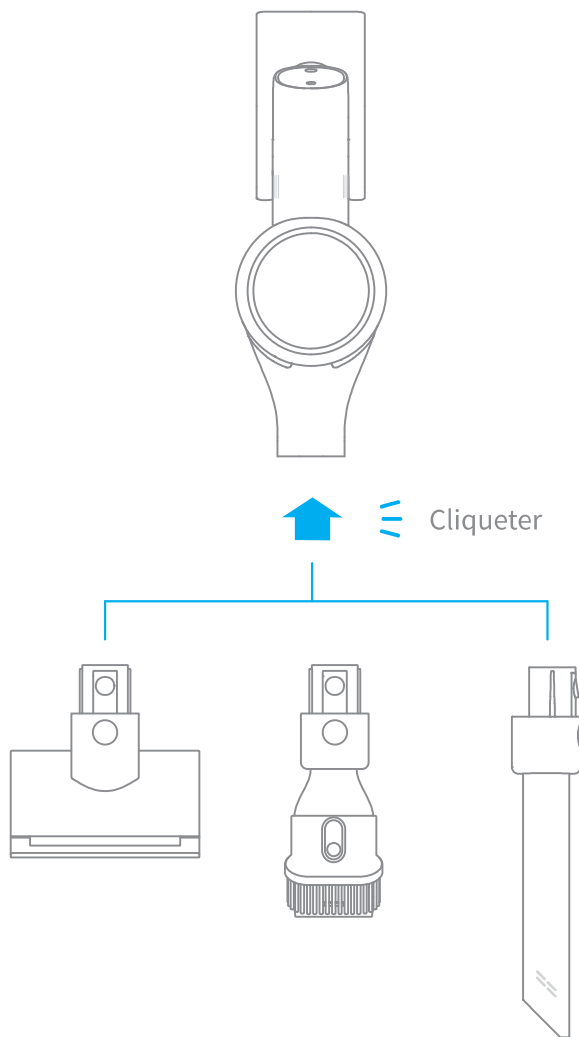


Cliquer



Procédure d'installation

Fixation des accessoires



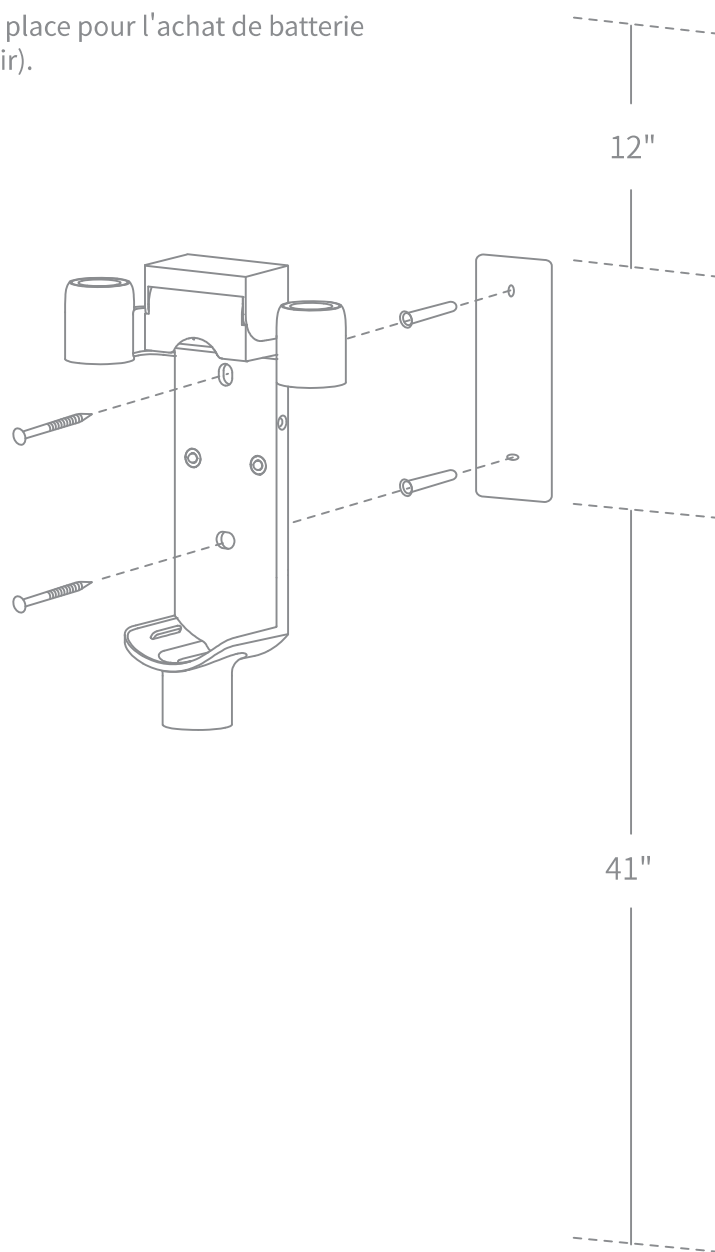
Installation de la station de charge et de stockage 2-en-1

(Cette station est un accessoire facultatif que vous pouvez installer en fonction de vos besoins.)

Remarque : La station de charge et de stockage 2-en-1 doit être installée dans un lieu sec et frais, à proximité d'une prise électrique. Avant l'installation, vérifiez qu'il n'y ait pas de fil électrique ou de tuyauterie dans l'espace directement situé derrière l'emplacement où sera placée la station.

- Le bas du patron d'installation autocollant doit être horizontal et à 1,03 m du sol minimum. Un espace de 30 cm doit être libre au-dessus du patron.
- Utilisez une perceuse électrique avec une fraise de 8 mm pour percer un trou à chaque emplacement indiqué sur le patron d'installation. Ensuite, insérez une cheville murale dans chaque trou.
- Alignez les trous de montage sur la station de charge et de stockage 2-en-1 et ceux percés dans le mur. Fixez la station au mur à l'aide des vis fournies.

(*30 cm : Faites de la place pour l'achat de batterie de rechange à l'avenir).



Recharge

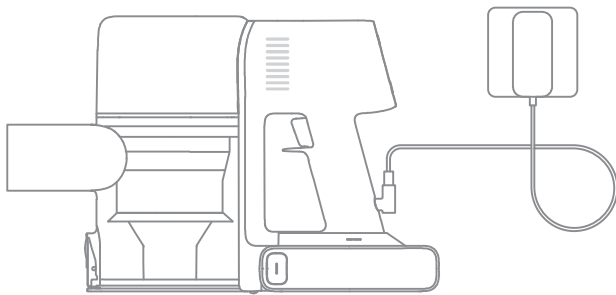
Chargez entièrement la batterie de l'aspirateur avant la première utilisation.

Remarque :

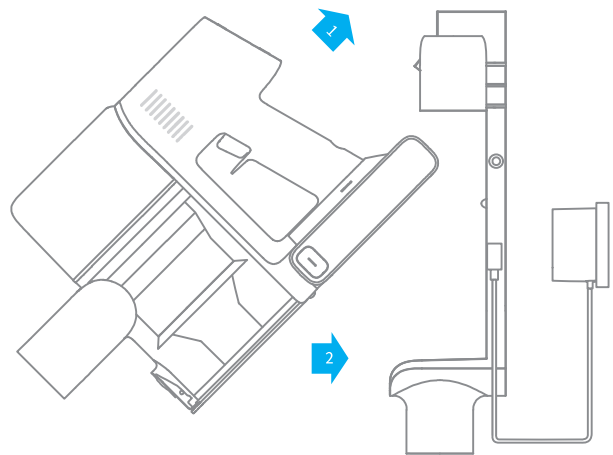
- Cette opération dure environ 4 heures.
- L'aspiration en mode Turbo pendant une période prolongée peut entraîner la surchauffe de la batterie, ce qui augmente le temps de charge. Laissez l'aspirateur refroidir pendant 30 minutes avant de le charger.

Modes de charge

Recharge de l'aspirateur avec le chargeur



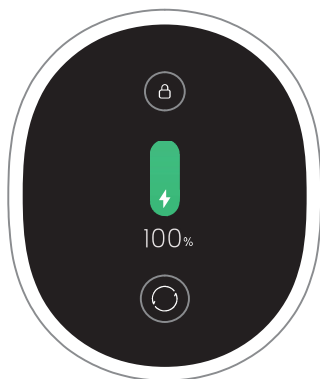
Recharge de l'aspirateur sur la station de charge



Affichage des modes de fonctionnement

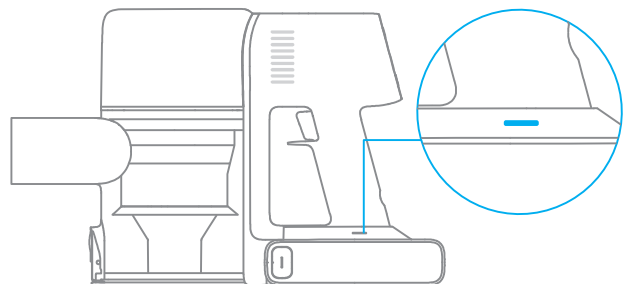
Écran d'affichage

Le nombre figurant sur l'écran d'affichage représente le niveau de batterie actuel en pourcentage pendant la charge. Lorsque ce nombre atteint 100, la batterie est complètement chargée.






Voyant d'état de la batterie

Lors du chargement, le voyant clignote. Et quand la charge est terminée, le voyant reste allumé.



Remarque : Une fois l'aspirateur entièrement chargé, le voyant s'éteint au bout de 5 minutes et l'appareil passe en mode économie d'énergie.

Configuration de la langue

Appuyez sur  et maintenez la touche enfoncée pendant 3 secondes pour entrer dans l'interface de sélection de la langue. Cliquez sur  pour faire défiler la liste des langues, sélectionnez la langue souhaitée, Puis appuyez sur  et maintenez la touche enfoncée pendant 3 secondes pour enregistrer votre réglage.



Remarque :

- l'écran d'affichage passera en page principale si aucune opération n'est effectuée pendant plus de 15 seconde
- Pour sortir de l'interface du menu, cliquez le bouton  pour sélectionner "Sortie".

Commutateur de vitesses

Appuyez sur le bouton  pour modifier le niveau d'aspiration : Éco, Médium ou Turbo. Le niveau d'aspiration correspondant apparaîtra en surbrillance sur l'écran d'affichage.

Remarque : Si vous arrêtez l'aspirateur à tout moment pendant votre session de nettoyage, il conservera le même niveau d'aspiration lorsqu'il sera rallumé.

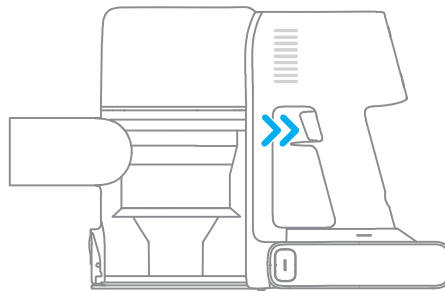
Mode d'utilisation

Mode de nettoyage

Il existe deux modes de fonctionnement pour l'aspirateur, qui peuvent être sélectionnés en fonction de vos propres besoins.

Mode 1 : Mode de nettoyage discontinu

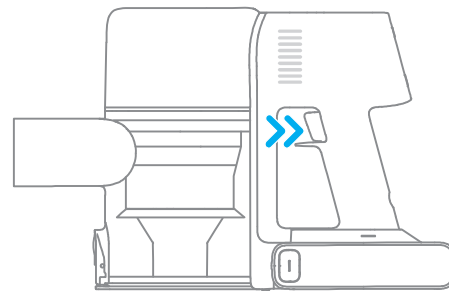
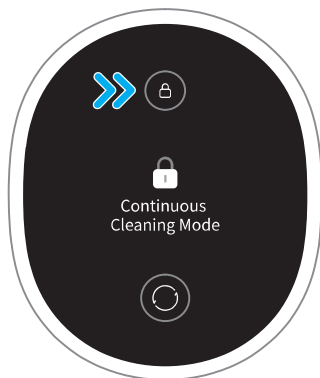
Dans ce mode, appuyez brièvement sur l'interrupteur pour suspendre le fonctionnement ou démarrer à nouveau, et le mode de fonctionnement de l'aspirateur ne changera pas.



Mode 2 : Mode de nettoyage continu (verrouillage électronique)

En mode veille, cliquez sur la touche de verrouillage électronique pour passer en mode de nettoyage continu, puis appuyez brièvement sur l'interrupteur pour faire passer l'aspirateur en mode de nettoyage continu.

Utilisez le verrouillage électronique pour vous permettre de libérer vos doigts et éviter ainsi la fatigue causée par le maintien de l'interrupteur.



Remarque :

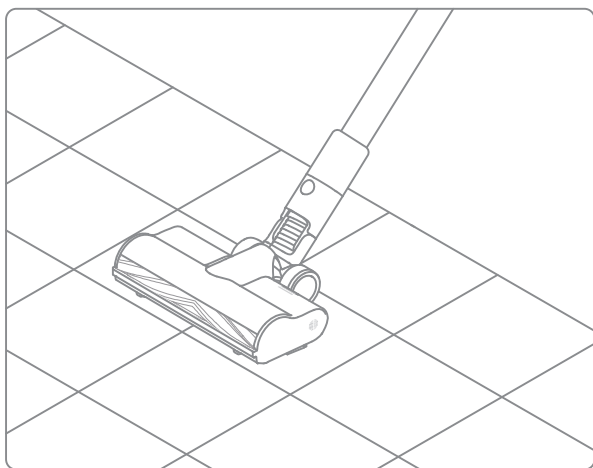
- Dans ce mode, appuyez brièvement sur l'interrupteur pour suspendre le fonctionnement ou démarrer à nouveau, et le mode de fonctionnement de l'aspirateur ne changera pas.
- Cliquez à nouveau sur le verrouillage électronique pour quitter le mode de nettoyage continu.

Utilisation des différents accessoires

Barre multi-brosses

Adapte à l'aspiration des tapis d'épaisseur fine/moyenne, carreaux et sols.

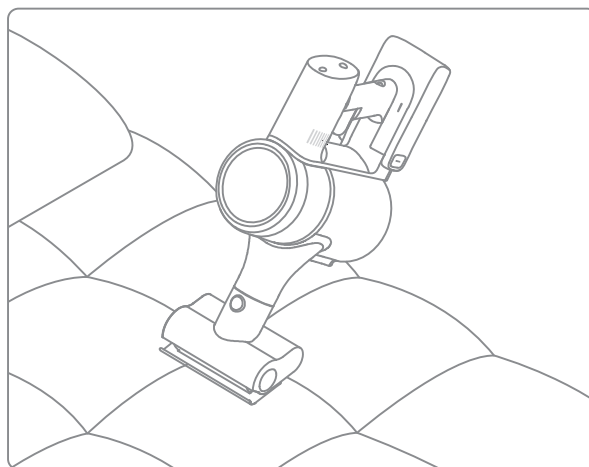
Remarque : la barre multi-brosses peut être fixée directement à l'aspirateur.



Mini brosse électrique

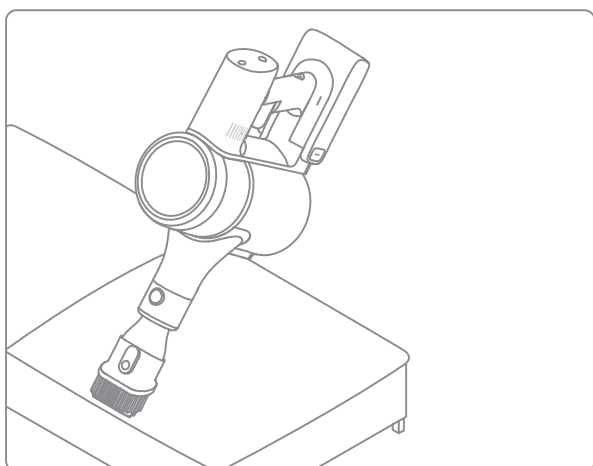
Pour l'aspiration de poussière, poils d'animaux et autres résidus tenaces sur des canapés, linges de lit et autres surfaces en tissu.

Remarque : il n'est pas recommandé de passer l'aspirateur sur les surfaces qui accrochent, comme la soie.



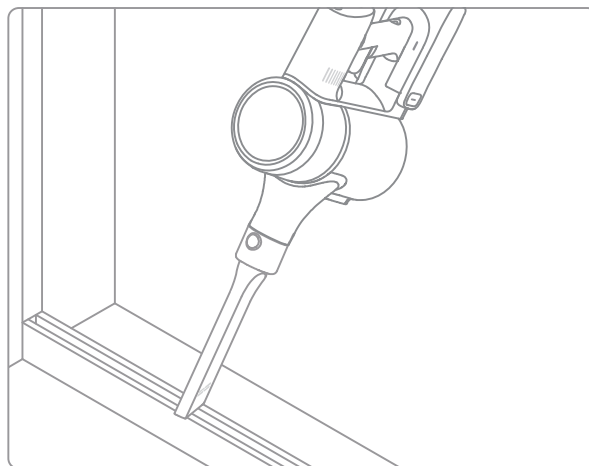
Bec de brosse 2-en-1

Pour l'aspiration de rideaux, canapés, intérieur de véhicules, tables de salon, etc.



Bec pour fentes

Adapté à l'aspiration dans les fentes, les coins des portes et fenêtres, les escaliers et tout autre endroit difficile d'accès.



Remarque :

- Si un pièce rotative se coince, l'aspirateur est susceptible de s'éteindre automatiquement. Retirez tout objet coincé dans l'aspirateur, puis poursuivez votre utilisation.
- Quand la batterie surchauffe en fonctionnement, l'aspirateur s'éteint automatiquement. Attendez que la température de la batterie revienne à un niveau normal, puis poursuivez votre utilisation.

Entretien et maintenance

Précautions concernant la maintenance

1. Utilisez toujours des pièces d'origine, faute de quoi la garantie pourrait être annulée.
2. En cas d'obstruction du filtre ou du bec, l'aspirateur s'arrête de fonctionner peu après avoir été mis sous tension. Nettoyez le filtre ou le bec afin de rétablir son fonctionnement.
3. Si vous ne prévoyez pas d'utiliser l'aspirateur pendant une période prolongée, chargez-le entièrement, débranchez-le, puis entreposez-le dans un endroit frais, à l'abri de l'humidité et de la lumière directe du soleil. Afin d'éviter une décharge excessive de la batterie, rechargez l'aspirateur au moins une fois tous les trois mois.

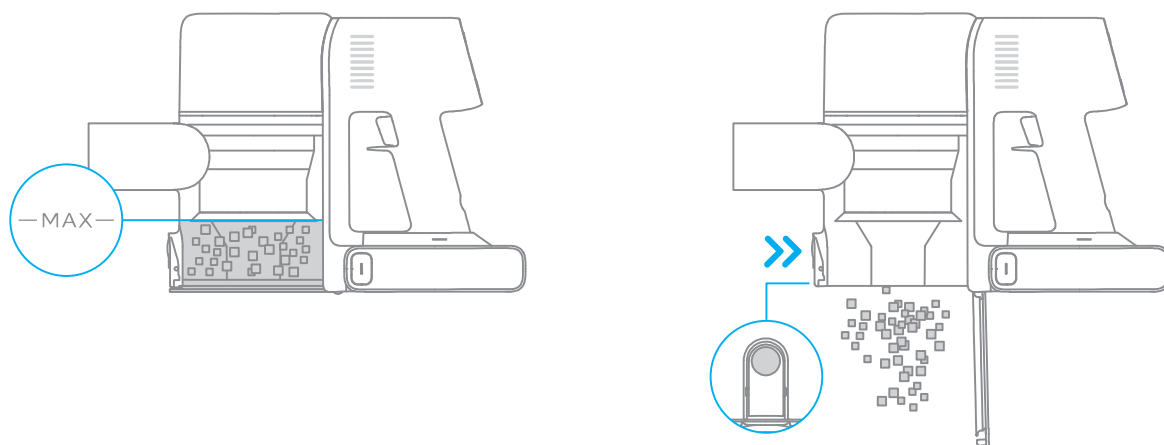
Nettoyage de l'aspirateur Vacuum Cleaner

Essayez l'aspirateur avec un chiffon doux et sec.

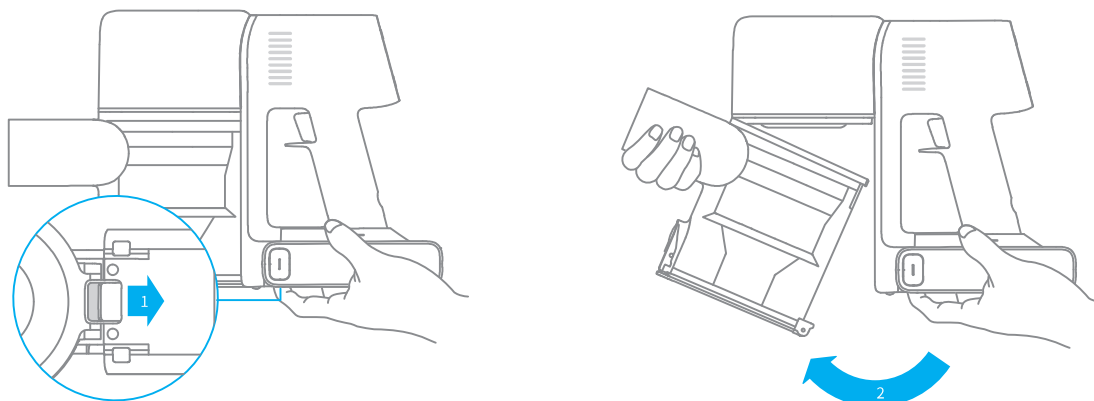
Nettoyage du compartiment à poussière, du préfiltre et de l'ensemble cyclone

La capacité de nettoyage de l'aspirateur diminuera si le compartiment à poussière est rempli jusqu'au niveau « MAX ». Videz-le pour améliorer les performances. Avant de vider le compartiment, assurez-vous d'avoir bien débranché l'aspirateur et n'appuyez pas sur le bouton marche/arrêt.

1. Appuyez sur le bouton de déverrouillage du capot inférieur du compartiment à poussière, puis videz celui-ci.

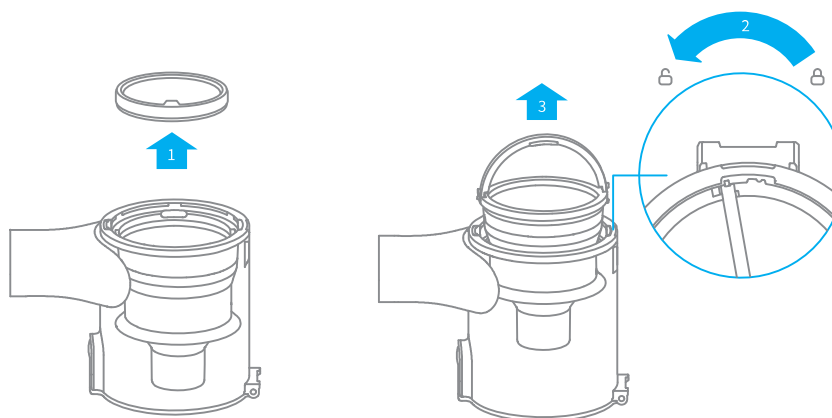


2. Poussez l'interrupteur de déverrouillage du compartiment à poussière dans la direction indiquée par la flèche, puis retirez délicatement le compartiment à poussière de l'aspirateur.

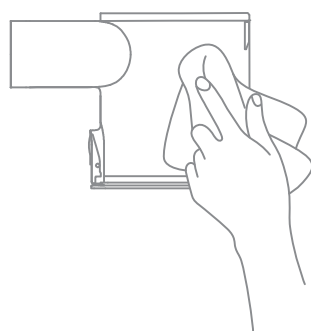


Entretien et maintenance

3. Retirez d'abord le préfiltre, puis levez la poignée de l'ensemble cyclone et tournez-la dans le sens inverse des aiguilles d'une montre jusqu'à ce qu'elle ne puisse plus tourner. Tirez ensuite pour soulever l'ensemble cyclone.

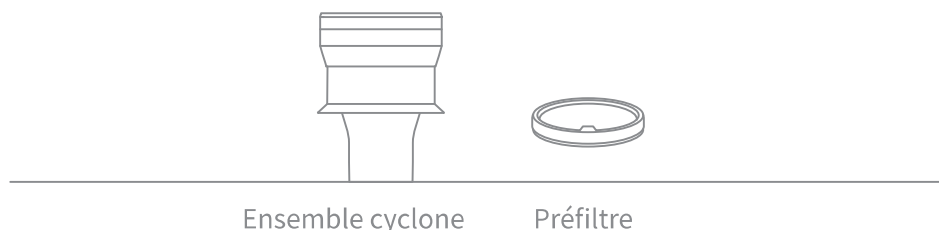


4. Essuyez le compartiment à poussière avec un chiffon doux et humide. Veillez à bien sécher le chiffon avant de l'utiliser.



Pour réduire le risque de choc électrique, ne rincez pas le compartiment à poussière avec de l'eau.

5. Rincez l'ensemble du cyclone et pré-filtrez jusqu'à ce qu'ils soient propres. Après le lavage, laissez sécher à l'air pendant au moins 24 heures.



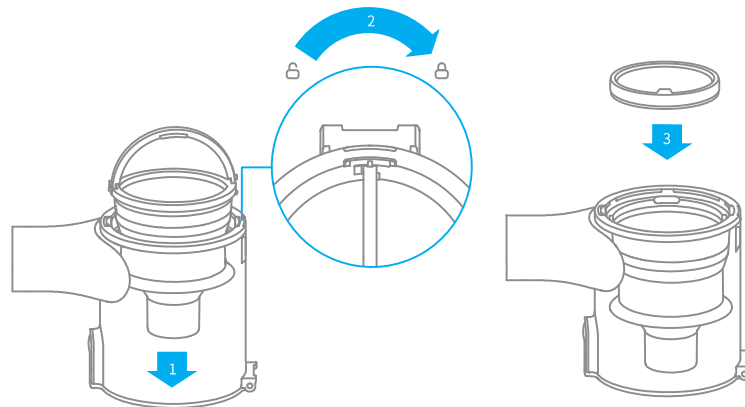
Remarque :

- Le compartiment à poussière doit être rincé au moins une fois par mois.
- Il est recommandé de nettoyer le pré-filtre, au moins, une fois tous les 3 mois et le système cyclone, au moins, une fois tous les 6 mois.

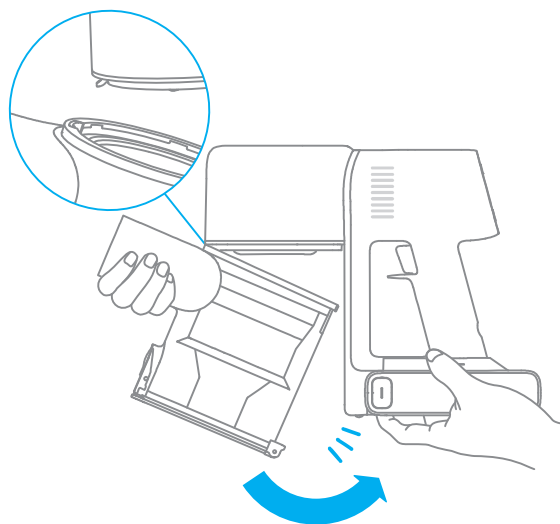
Entretien et maintenance

Installation du compartiment à poussière, du préfiltre et de l'ensemble cyclone

1. Insérez l'ensemble cyclone à la verticale dans le compartiment à poussière. Assurez-vous que la poignée de l'ensemble cyclone est alignée avec l'encoche située à gauche du compartiment à poussière. Tournez la poignée dans le sens des aiguilles d'une montre jusqu'à ce qu'elle se verrouille, puis rabattez-la.
2. Placez le préfiltre face vers le haut dans l'ensemble cyclone.



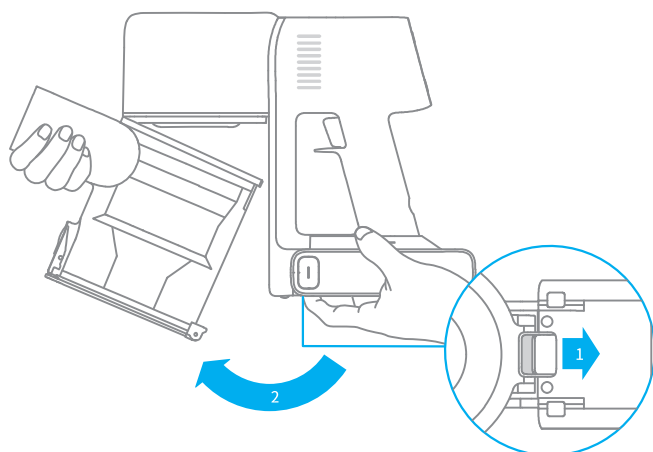
3. Inclinez légèrement le compartiment à poussière pour que son encoche soit alignée avec le clip sur l'aspirateur. Enfoncez délicatement le compartiment à poussière jusqu'à entendre un dé clic.



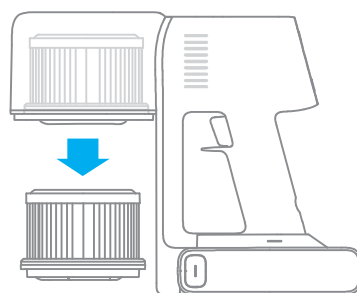
Nettoyage du filtre

Il est recommandé de nettoyer le filtre tous les 4 à 6 mois.

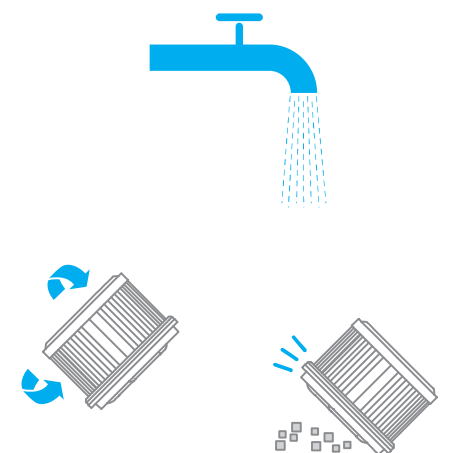
1. Retirez le compartiment à poussière comme illustré sur le schéma.



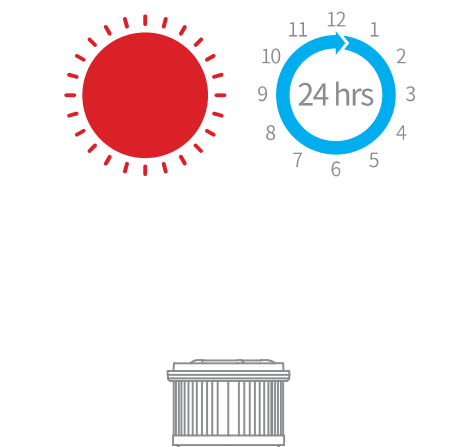
2. Retirez le filtre de l'aspirateur en tirant dessus, dans la direction indiquée sur le schéma.



3. Nettoyez le filtre avec de l'eau claire. Assurez-vous de faire pivoter le filtre à 360° afin de bien éliminer toute poussière coincée dedans. Tapotez légèrement le filtre plusieurs fois pour éliminer tout excès de poussière.



4. Laissez le filtre sécher complètement pendant au moins 24 heures.



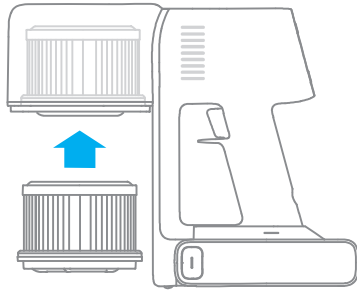
Remarque :

- Pour nettoyer le filtre, n'utilisez que de l'eau claire. N'utilisez pas de détergents.
- N'essayez pas de nettoyer le filtre avec une brosse ou vos doigts.

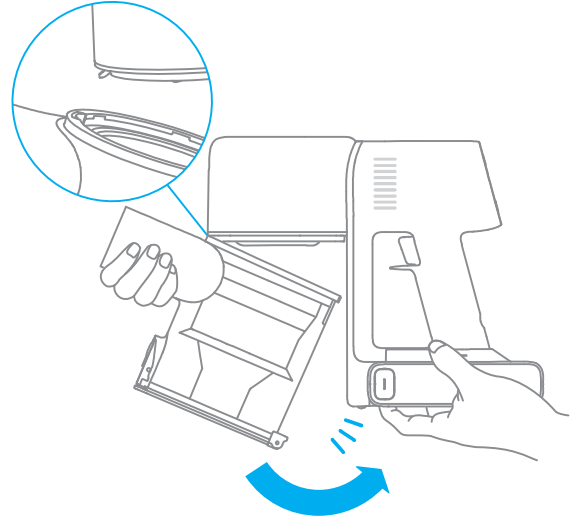
Entretien et maintenance

Installation du filtre

1. Insérez le filtre dans l'aspirateur et enfoncez-le délicatement, comme indiqué sur le schéma.

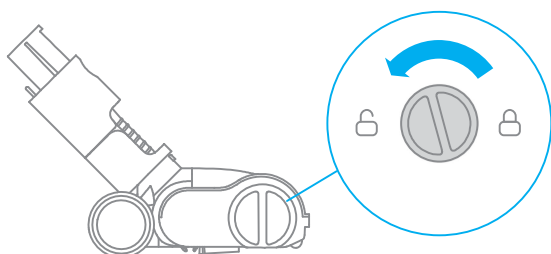


2. Réinstallez le compartiment à poussière.

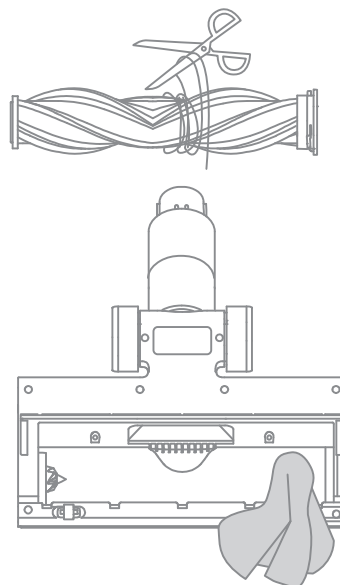


Nettoyage de la barre multi-brosses

1. Tournez le mécanisme de verrouillage dans le sens inverse des aiguilles d'une montre jusqu'à ce qu'il s'arrête, puis retirez la brosse à rouleaux de la barre multi-brosses.



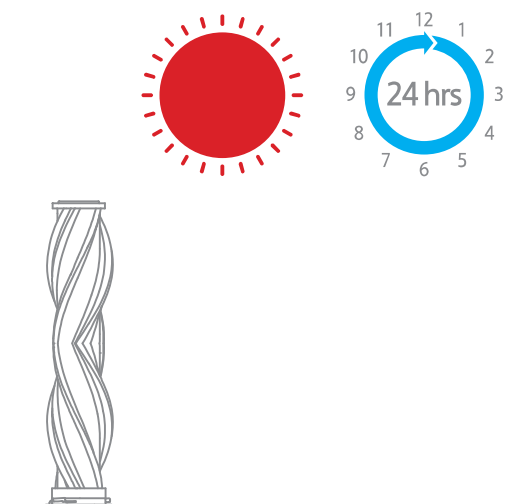
2. À l'aide de ciseaux, coupez et enlevez tout cheveu, poil ou autre saleté enroulé autour de la brosse à roulette. Enlevez tout excès de poussière de l'encoche et du couvercle en plastique transparent à l'aide d'un chiffon sec ou de papier absorbant.



3. Lorsqu'elle est sale, rincez la tête de la brosse avec de l'eau propre jusqu'à ce qu'elle soit propre.



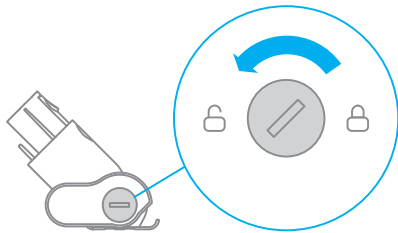
4. Après nettoyage de la brosse à roulette, laissez-la sécher complètement à la verticale dans un endroit bien aéré pendant au moins 24 heures.



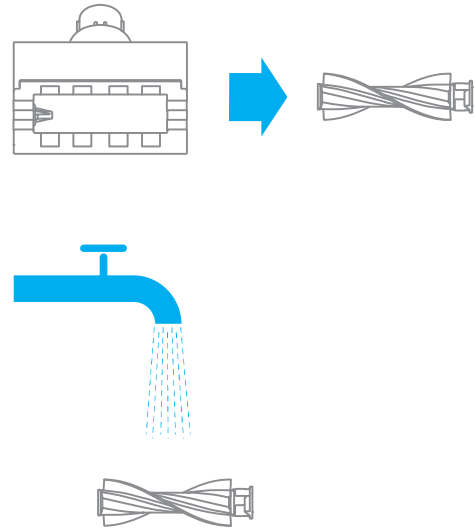
Entretien et maintenance

Nettoyage de la mini brosse électrique

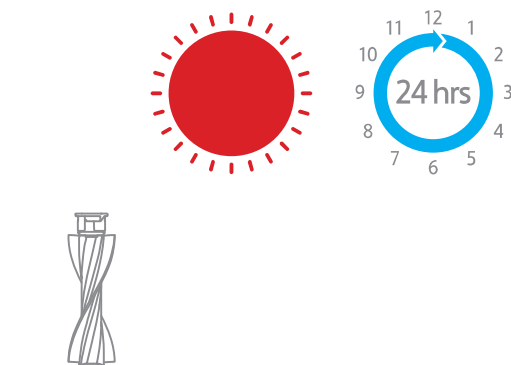
1. Utilisez une pièce de monnaie pour faire tourner le verrou dans le sens inverse des aiguilles d'une montre jusqu'à entendre un déclic.



2. Une fois la brosse à roulette déverrouillée, retirez-la de la mini brosse électrique, puis rincez et nettoyez la brosse à roulette.



3. Après nettoyage de la brosse à roulette, laissez-la sécher complètement à la verticale dans un endroit bien aéré pendant au moins 24 heures.



4. Dès que la brosse à roulette est sèche, réinstallez-la en suivant la procédure de démontage dans l'ordre inverse.

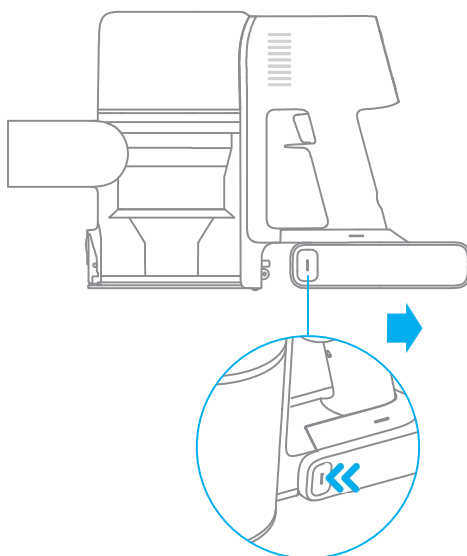


Batterie

L'aspirateur contient une batterie lithium-ion rechargeable disposant d'un nombre limité de cycles de charge. Après un usage prolongé, la batterie est susceptible de se décharger rapidement. Si c'est le cas, cela signifie que la batterie est arrivée au bout de sa durée de vie et doit être remplacée.

1. Appuyez sur le bouton de déverrouillage de la batterie et faites-la glisser vers la droite pour la retirer, comme illustré sur le schéma.

2. Installez la nouvelle batterie.



Caractéristiques

Aspirateur			
Modèle	VTE3	Tension de charge	34 V ===
Puissance nominale	550 W	Tension nominale	29,6 V ===
Temps de Charge	Environ 4 heures	Capacité de la batterie	2900 mAh (Capacité nominale)
Barre multi-brosses			
Modèle	AVB15		
Puissance nominale	40 W	Tension nominale	29,6 V ===
Mini brosse électrique			
Modèle	VPA3		
Puissance nominale	20 W	Tension nominale	29,6 V ===
Chargeur			
Modèle	ZD024M340090US		
Entrée	100 - 240 V ~ 50-60 Hz, 0,8 A max	Sortie	34 V===0,9 A
Batterie rechargeable lithium-ion			
Modèle de la batterie	P2033-8S1P-PAA	Capacité de la batterie	2900 mAh (Capacité nominale)
Tension nominale	29,6 V ===	Énergie	81,4 Wh













La batterie lithium-ion contient des substances dangereuses pour l'environnement. Avant de mettre l'aspirateur au rebut, retirez d'abord la batterie pour la jeter ou la recycler conformément à la législation et à la réglementation locales du pays ou de la région dans lequel ou laquelle il est utilisé.

En cas de dysfonctionnement de l'aspirateur, consultez le tableau ci-dessous.

Erreur	Cause possible	Solution
L'aspirateur ne fonctionne pas	La batterie est déchargée ou faible.	Rechargez complètement l'aspirateur avant de reprendre votre utilisation.
	Le mode de protection contre la surchauffe se déclenche suite à une obstruction.	Attendez que l'aspirateur refroidisse, puis réactivez-le.
	L'orifice d'aspiration ou le conduit d'air est obstrué.	Retirez les débris susceptibles de bloquer l'orifice d'aspiration ou le conduit d'air.
La puissance d'aspiration est affaiblie	Le compartiment à poussière est rempli et/ou le filtre est obstrué.	Videz le compartiment à poussière et nettoyez l'ensemble filtre.
	L'accessoire est obstrué.	Retirez les débris susceptibles d'obstruer l'accessoire.
Le moteur fait un bruit anormal	L'orifice d'aspiration principal ou la tige de rallonge est obstrué(e).	Retirez les débris susceptibles de bloquer l'orifice d'aspiration principal ou la tige de rallonge.
Le voyant de batterie ne s'allume pas lorsque l'aspirateur est en charge	Le chargeur n'est pas connecté à l'aspirateur.	Assurez-vous que le chargeur est branché correctement.
	La batterie est complètement chargée et l'appareil est passé en mode veille.	L'aspirateur peut être utilisé normalement.
	La batterie charge lentement.	Si le problème persiste après avoir écarté les deux possibilités ci-dessus.
Contactez le service après-vente qui vous aidera	La température de la batterie est trop basse ou trop élevée.	Attendez que la température de la batterie revienne à un niveau normal, puis reprenez votre session de nettoyage.

Indication pour la panne

Si vous devez prêter attention à une anomalie quelconque pendant l'utilisation du produit, l'écran affichera un message d'avertissement. Vous devez suivre les instructions à l'écran pour que les performances restent normales.

Icône d'erreur	Message d'erreur	Solutions
	Surchauffe de la batterie	Attendez que la température de la batterie revienne à un niveau normal avant de reprendre votre session de nettoyage.
	La brosse du rouleau est coincée	Consultez « Nettoyage de la barre multi-brosses » dans la section « Entretien et maintenance », où vous trouverez des instructions pour le nettoyage de cheveux, poils et saletés coincés dans la brosse à roulette.
	Conduit d'air bloqué	Vérifiez si la cuve à poussière, le filtre, le pré-filtre, la rallonge et la barre multi-brosses sont bloqués, veuillez vous référer à l'entretien pour nettoyer le filtre et l'éponge, puis les installez et utilisez après qu'ils soient entièrement séchés.
	Erreurs	Contactez le service après-vente pour maintenance.
	Pile Faible	Rechargez l'appareil rapidement.
	La batterie est déchargée	Rechargez l'appareil rapidement.
	Le filtre sera bientôt périmé	Veuillez a remplacer le filtre en temps utile.
	Filtre désinstallé	Vérifiez que le filtre et le préfiltre sont installés correctement.
	Remplacer le filtre	Veuillez a remplacer le filtre en temps utile. Après le remplacement du filtre, appuyez et maintenant la pression sur le bouton  pendant 1.5 secondes pour affichez le décompte de remplacement du filtre, pour maintenez la pression pendant cinq secondes supplémentaires jusqu'à ce que  apparaisse sur l'écran. 

INSTRUCCIONES IMPORTANTES DE SEGURIDAD

Cuando utiliza un aparato eléctrico, siempre debe seguir las precauciones básicas, incluidas las siguientes:

LEA TODAS LAS INSTRUCCIONES ANTES DE USAR (ESTE APARATO). El incumplimiento de las advertencias e instrucciones puede provocar descarga eléctrica, incendio y/o lesiones graves.

GUARDE ESTAS INSTRUCCIONES



Solo para uso doméstico.

ADVERTENCIA – Para reducir el riesgo de incendio, descarga eléctrica o lesiones:

- No lo utilice al aire libre o sobre superficies mojadas.
- No permita que se utilice como un juguete. Debe prestar mucha atención cuando se utiliza cerca de niños, mascotas o plantas.
- Use únicamente como se describe en este manual. Sólo utilice los accesorios recomendados por el fabricante.
- No lo utilice con el cable o enchufe dañado. Si el aparato no funciona correctamente, se ha caído, dañado, dejado al aire libre o sumergido en agua, remítalo a un centro de servicio.
- No tire ni transporte agarrando el cable, no use el cable como asa, no cierre puertas encima del cable ni pase el cable por bordes o esquinas afiladas. No pase el aparato por encima del cable. Mantenga el cable alejado de superficies calientes.
- No desenchufe tirando del cable. Para desenchufar, agarre el enchufe, no el cable.
- No manipule el cargador, el enchufe del cargador y los terminales del cargador con las manos mojadas.
- No coloque ningún objeto en las aberturas. No lo utilice si tiene alguna abertura bloqueada; manténgalo libre de polvo, pelusas, cabello y cualquier material que pueda reducir el flujo de aire.
- Mantenga el cabello, la ropa holgada, los dedos y todas las partes del cuerpo alejados de las aberturas y las piezas móviles.
- Tenga mucho cuidado cuando limpie escaleras.
- No lo use para limpiar líquidos inflamables o combustibles, como gasolina, ni lo use en zonas donde puedan estar presentes.
- No limpie nada que se esté quemando o humeando, como cigarrillos, cerillas o cenizas calientes.
- No lo utilice sin la compartimento de polvo o los filtros instalados.
- Evite el encendido involuntario. Asegúrese de que el interruptor esté apagado antes de conectarlo a la batería, levantarlo o transportarlo. Transportar el aparato con el dedo apoyado en el interruptor o energizar el aparato con el interruptor encendido puede causar accidentes.
- Desconecte la batería del aparato antes de realizar cualquier ajuste, cambiar accesorios o almacenar el aparato. Estas medidas preventivas de seguridad reducen el riesgo de encender por accidente el aparato.
- Recargue sólo con el cargador especificado por el fabricante. Un cargador adecuado para un tipo de batería puede provocar riesgo de incendio si se utiliza en otra batería.
- Use sus aparatos sólo con las baterías específicamente indicadas. El uso de cualquier otra batería puede

provocar riesgo de lesiones e incendio.

- Cuando la batería no esté en uso, manténgala alejada de objetos metálicos, como clips de papel, monedas, llaves, clavos, tornillos u otros objetos metálicos pequeños que pueden provocar la conexión de los terminales. Un cortocircuito en los terminales de la batería puede provocar quemaduras o incendios.
- Bajo condiciones abusivas, puede haber fugas de líquido en la batería; evite el contacto. Si ocurre contacto accidental, enjuague con agua. Si el líquido entra en contacto con los ojos, busque atención médica. El líquido derramado de la batería puede provocar irritación o quemaduras.
- No utilice una batería o un aparato dañado o modificado. Las baterías dañadas o modificadas pueden tener un comportamiento impredecible que resulte en fuego, explosión o lesiones.
- No exponga una batería o un aparato al fuego ni a temperaturas excesivas. La exposición al fuego o una temperatura superior a 130° C puede provocar explosiones.
- Siga todas las instrucciones de carga y no cargue la batería o el aparato fuera del rango de temperatura indicado en las instrucciones. La carga incorrecta o a temperaturas fuera del rango indicado puede dañar la batería y aumentar el riesgo de incendio.
- Remita el servicio a un técnico calificado que utilice únicamente idénticas piezas de repuesto. Esto asegurará que se mantenga la seguridad del producto.
- No modifique ni intente reparar el aparato o la batería, excepto de la forma indicada en las instrucciones de uso y cuidado.
- No utilice ni almacenamiento en ambientes muy calientes o fríos (por debajo de 0° C / 32° F o por encima de 40° C / 104° F). Cargue la aspiradora inalámbrica a temperatura de entre 0° C/32° F y 40° C/104° F.

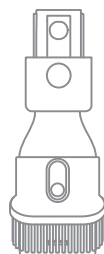
	Corriente continua
	Corriente alterna

Descripción del producto

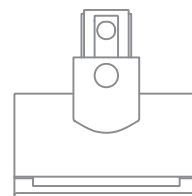
Lista de accesorios



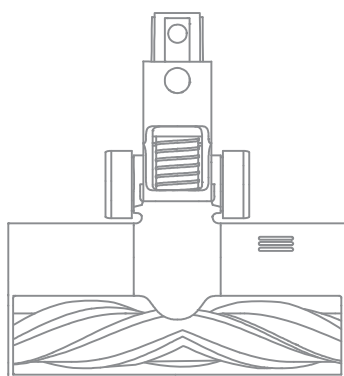
Varilla extensible



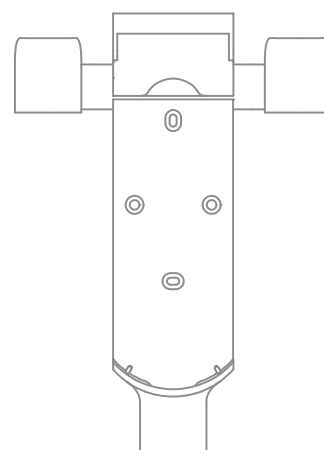
Boquilla combinada (2 en 1)



Minicepillo eléctrico



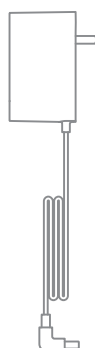
Barra-cepillo multifunción



Soporte de carga y almacenamiento 2 en 1 (incluye 2 tornillos, 2 tacos y una plantilla de montaje adhesiva)



Boquilla para ranuras

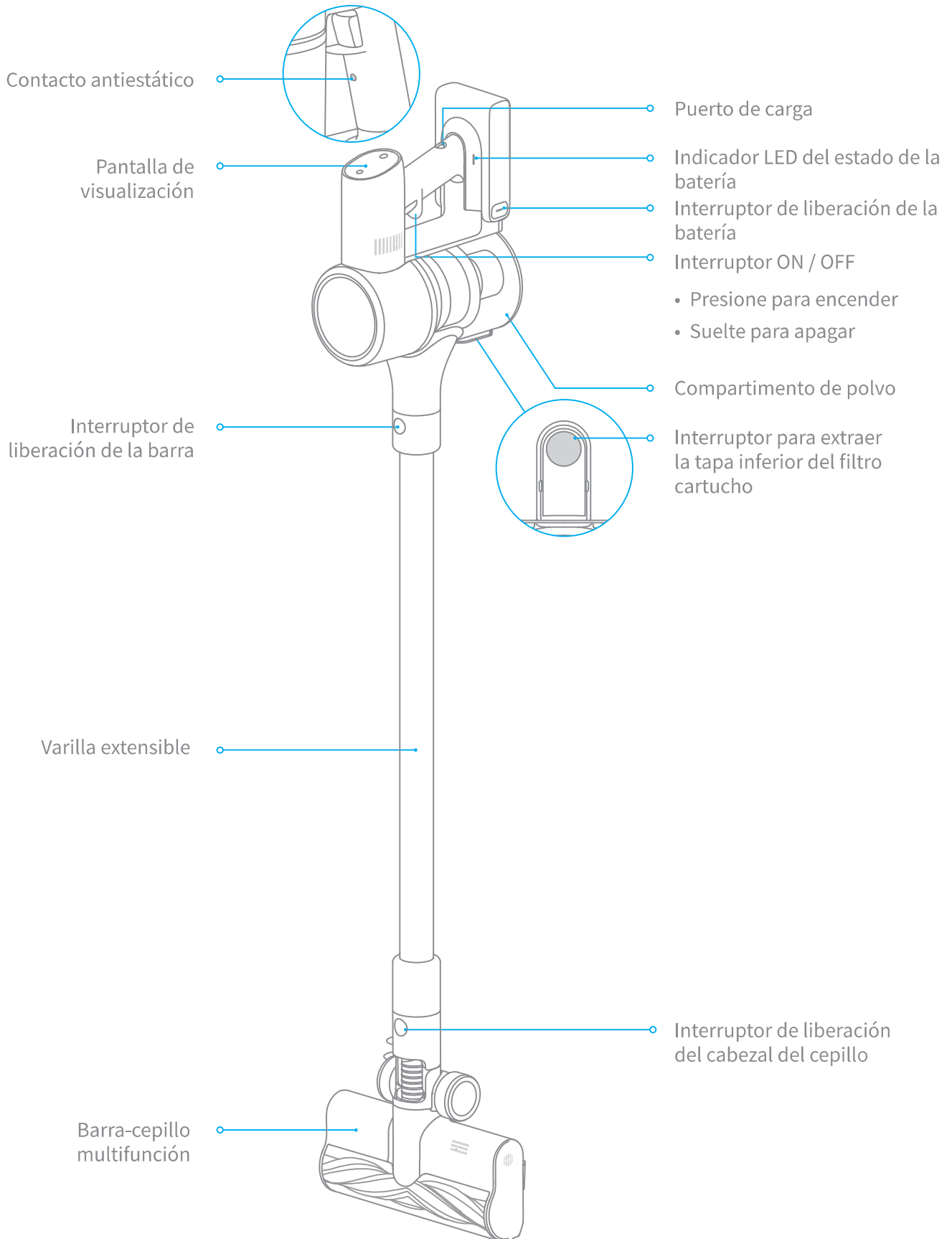


Cargador

Nota: La imagen es solo de referencia, el objeto real no necesariamente se relaciona con la imagen.

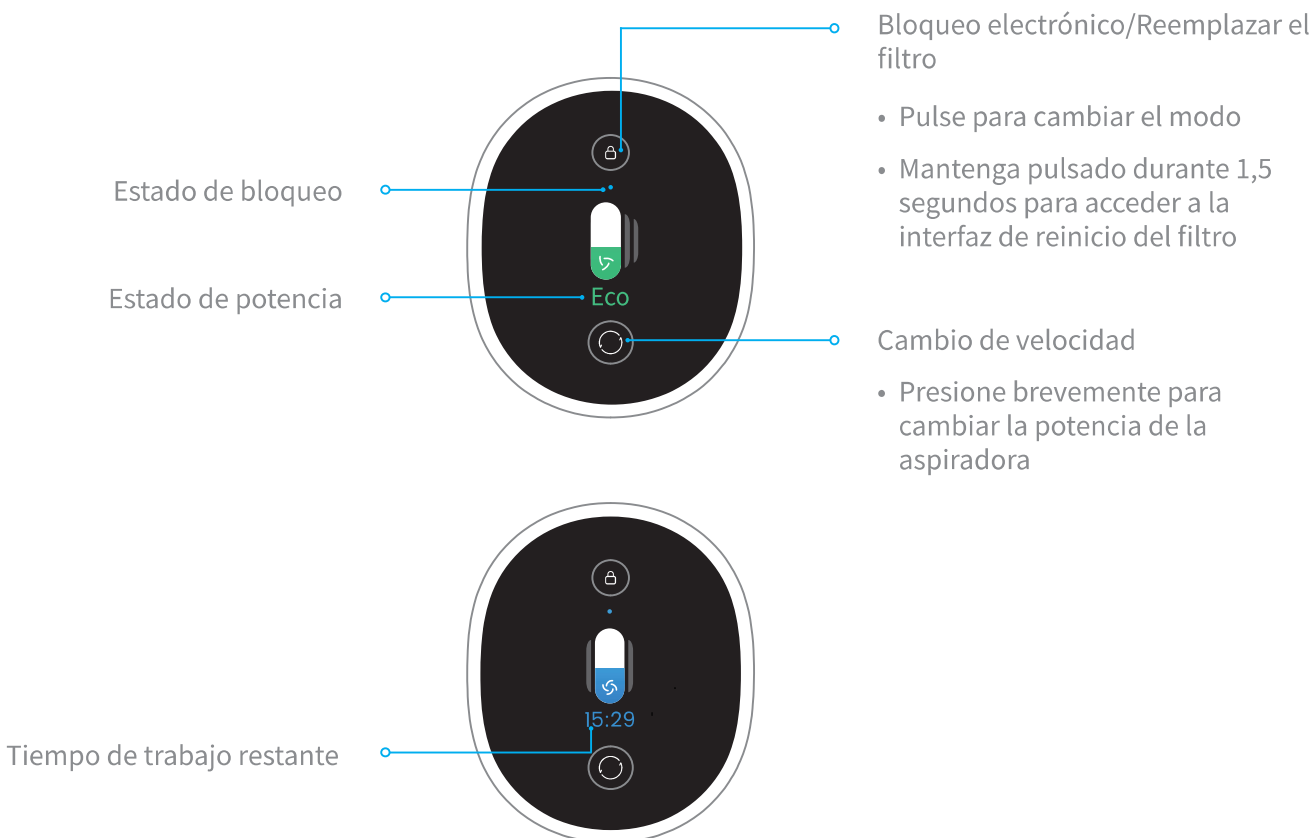
Descripción del producto

Nombre del componente



Descripción del producto

Indicaciones de las funciones de pantalla



Nota: El tiempo restante es solo para su referencia y puede ser diferente al tiempo real.

Montaje

Instalar los accesorios en la aspiradora

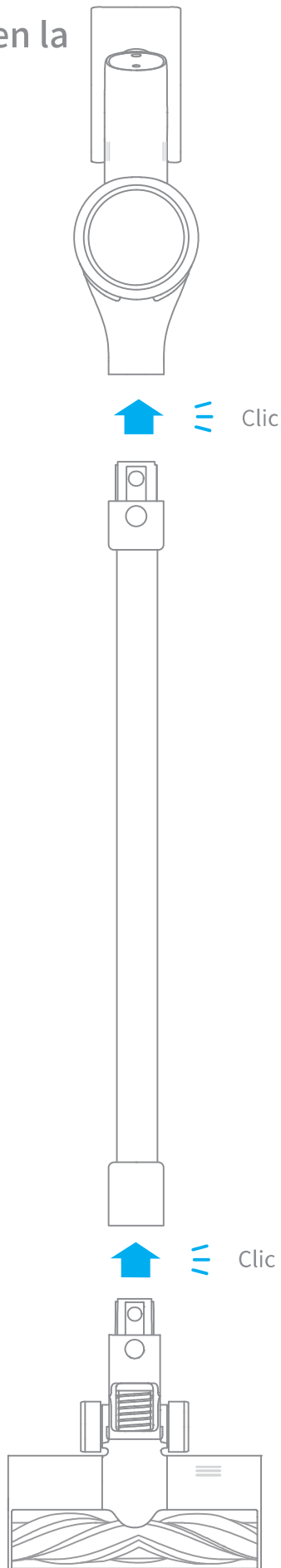
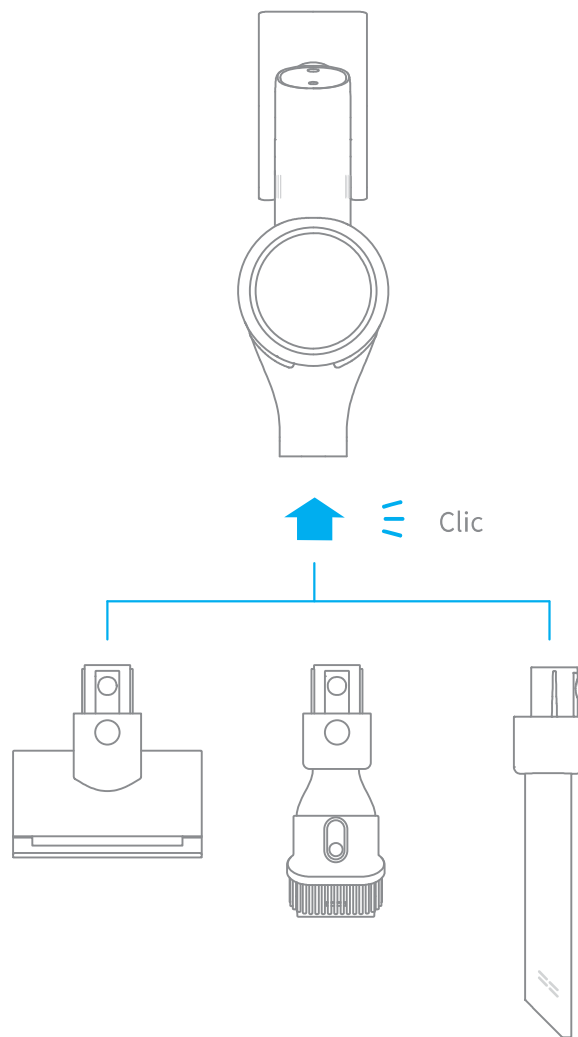


Diagrama para el montaje de accesorios



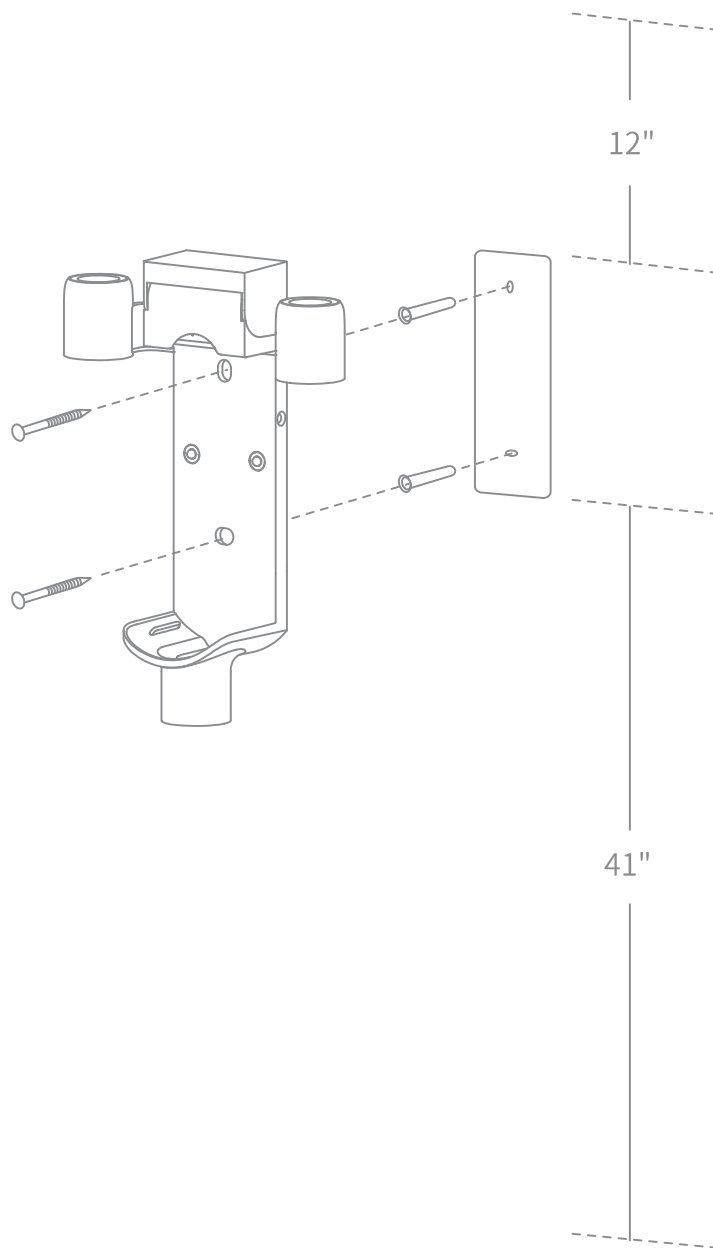
Montaje

Montar el soporte de carga y almacenamiento (2 en 1)

(El soporte de carga y almacenamiento (2 en 1) es un accesorio opcional, puede montarlo según sus necesidades.)

Nota: El soporte de carga y almacenamiento (2 en 1) debe ser instalado en un lugar fresco y seco, con un enchufe cercano. Antes de instalarlo, asegúrese de que no haya ningún otro objeto donde se montaría el soporte.

- La parte inferior de la pegatina de la plantilla de montaje debe estar nivelada y, al menos, a 1,03 m del suelo. La parte superior debe tener al menos un espacio de 30 cm sobre ella (*30cm: deje espacio para baterías de reemplazo en el futuro).
- Utilice un taladro eléctrico con una broca de 8 mm para hacer un orificio en cada marcador de la pegatina de la plantilla de montaje y, a continuación, inserte un taco en cada orificio.
- Alinee los orificios de montaje del soporte de carga y almacenamiento 2 en 1 con los orificios de la pared y, a continuación, fije el soporte a la pared con los tornillos incluidos.



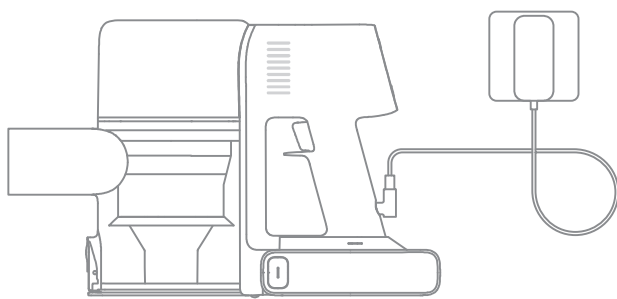
Cargue completamente la aspiradora antes de usarla por primera vez.

Nota:

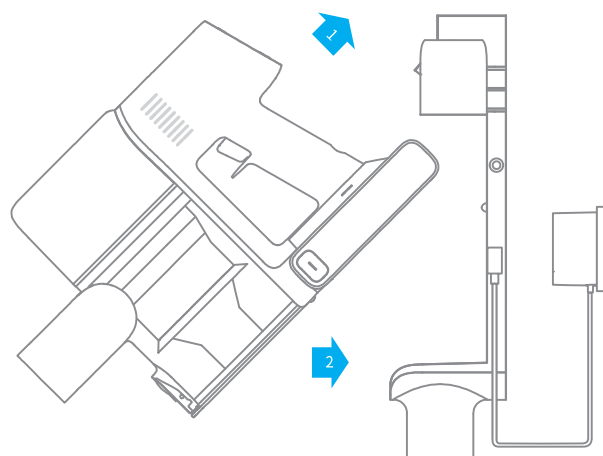
- Esto puede tardar unas 4 horas.
- Si se aspira en modo turbo durante un período prolongado, la batería se calentará. Se recomienda dejar que el aspirador se enfríe durante 30 minutos antes de cargarlo de nuevo.

Modos de carga

Cargar la aspiradora con el cargador



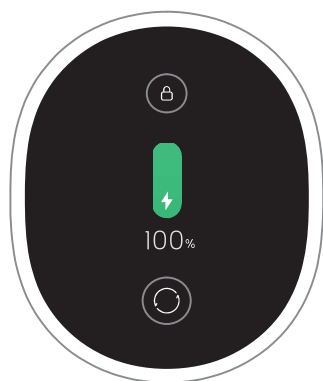
Cargar la aspiradora en el soporte de carga



Visualización de modos de potencia

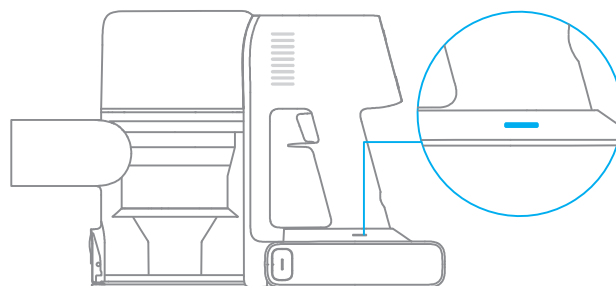
Pantalla de visualización

El número de la pantalla representa el nivel de batería actual en porcentaje durante la carga. Cuando llegue a 100, la batería estará totalmente cargada.



Indicador LED del estado de la batería

Durante la carga, los indicadores brillan en luz blanca. Cuando se completa la carga, se mantienen en luz blanca.






Nota:

Una vez que el aspirador esté completamente cargado, el indicador se apagará 5 minutos más tarde y el aspirador entrará en el modo de ahorro de energía.


Modo de Uso

Ajuste de idioma


Mantenga pulsado  durante 3 segundos para acceder a la interfaz de selección de idioma, pulse  para desplazarse por la lista de idiomas, seleccione el idioma apropiado y mantenga pulsado  durante 3 segundos para guardar el idioma seleccionado.



Nota:

- La pantalla de visualización cambiará a la página principal si no realiza ninguna operación durante más de 15 segundos.
- Para salir de la interfaz del menú, apresione en el botón  para seleccionar "Salir".

Cambio de velocidad

Pulse el interruptor  para cambiar entre los cuatro niveles de succión: Eco, Med y Turbo. El nivel de succión correspondiente aparecerá señalado en la pantalla.

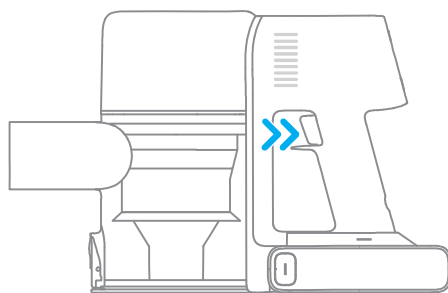
Nota: Si detiene la aspiradora en algún momento mientras limpia, al volver a iniciarla, seguirá utilizando el último nivel de succión seleccionado.

Modo de limpieza

El aspirador incluye dos modos de trabajo que se pueden seleccionar según sus necesidades de limpieza.

Modo 1: Modo de limpieza discontinua

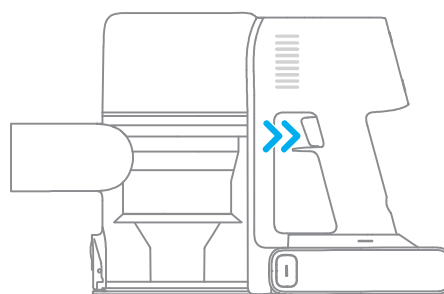
Cuando la aspiradora está trabajando, se calculará la cantidad de polvo inhalado en 1 segundo. La cantidad de polvo se mostrará en la pantalla por el color de la curva de monitoreo del nivel de polvo en tiempo real.



Modo 2: Modo de limpieza continua (bloqueo electrónico)

En el modo de reposo, pulse la tecla de bloqueo electrónico para cambiar al modo de limpieza continua y luego pulse brevemente el interruptor para que la aspiradora entre en el modo de limpieza continua.

Use la función de bloqueo electrónico para liberar sus dedos y evitar el cansancio causado por mantener pulsado el interruptor.



Nota:

- En este modo, puede pausar o comenzar de nuevo pulsando brevemente el interruptor. El modo de trabajo de la aspiradora no cambiará.
- Vuelva a pulsar el bloqueo electrónico para salir del modo de limpieza continua.

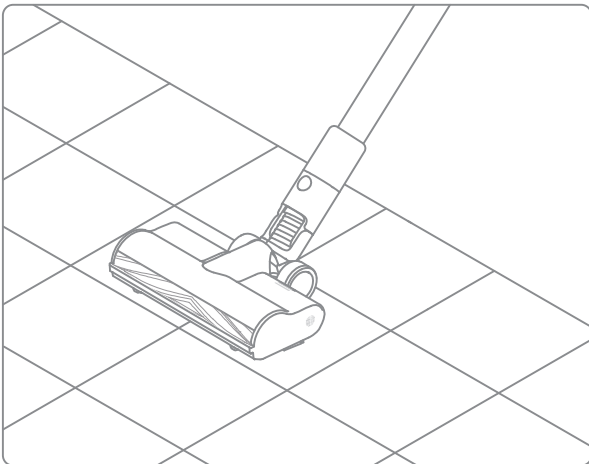
Modo de uso

Uso de los diferentes accesorios

Barra-cepillo multifunción

Apta para limpiar alfombras de pelo mediano/corto, azulejos y pisos en general.

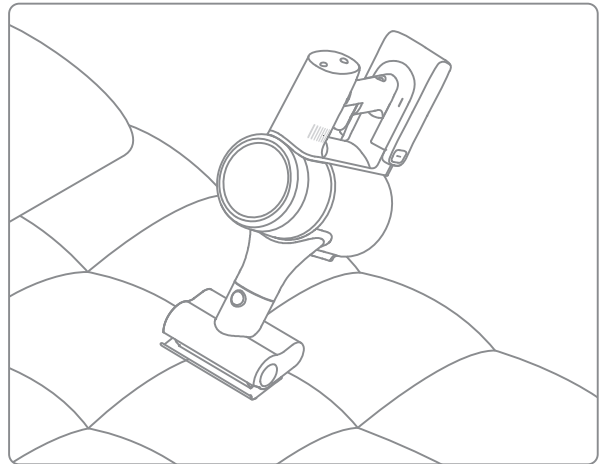
Nota: La barra-cepillo multifunción se puede acoplar directamente a la aspiradora.



Minicepillo eléctrico

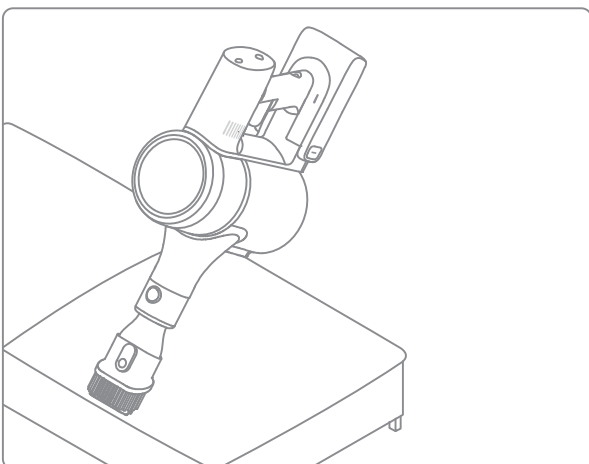
Para aspirar la suciedad, los pelos de mascota y otros restos resistentes de los sofás, la ropa de cama y otras superficies de tela.

Nota: No se recomienda pasar la aspiradora por superficies que puedan engancharse, como la seda.



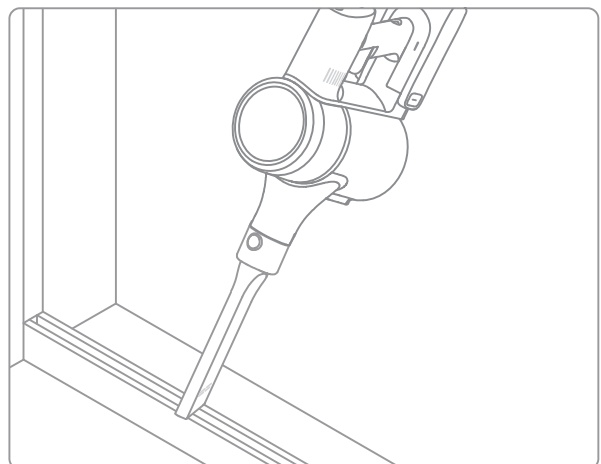
Boquilla combinada (2 en 1)

Para aspirar cortinas, sofás, teclados, techos, interiores de vehículos, mesas de café, etc.



Boquilla para ranuras

Adecuada para aspirar grietas, esquinas de puertas y ventanas, escaleras y otros lugares de difícil acceso.



Nota:

- Si alguna pieza giratoria se queda atascada, la aspiradora podría apagarse de forma automática. Extraiga los objetos extraños que se hayan quedado atascados y reanude el uso.
- Si el batería funciona a temperaturas demasiado elevadas, la aspiradora se apagará automáticamente. Espere a que la temperatura de la batería vuelva a ser normal y, a continuación, reanude el uso.

Advertencia:

1. Utilice siempre piezas originales para evitar que se anule la garantía.
2. Si el filtro o la boquilla se obstruye, el aspirador dejará de funcionar poco después de encenderse. Para restaurar la funcionalidad, limpie el filtro o la boquilla.
3. Si no va a utilizar la aspiradora durante un largo periodo de tiempo, cárguela completamente, desenchúfela de la corriente y guárdela en un lugar fresco, seco y protegida de la luz solar. Para evitar que la batería se descargue en exceso, recargue la aspiradora al menos una vez cada tres meses.

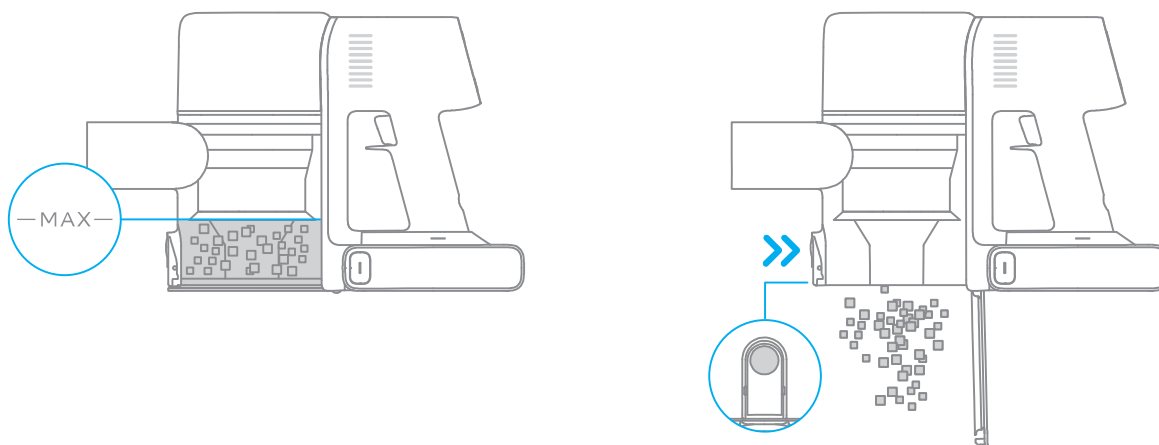
Limpieza de la aspiradora

Limpie la aspiradora con un paño seco y suave.

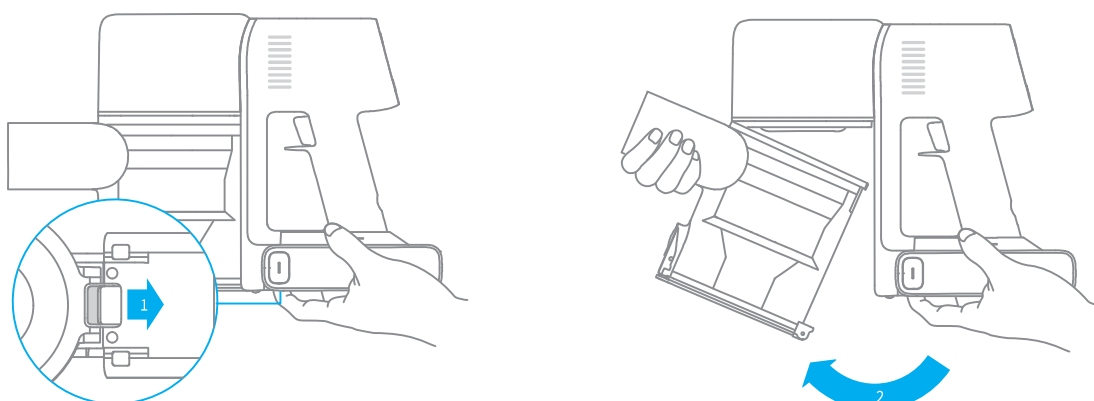
Limpieza del compartimento para el polvo, el prefiltro y el separador ciclónico

La capacidad de limpieza de la aspiradora se verá reducida en caso de que el compartimento para el polvo esté lleno y alcance la marca de "MAX". Para que recupere su rendimiento, vacíe el compartimento para el polvo de manera oportuna. Antes de vaciar el compartimento, asegúrese de que la aspiradora está desconectada de la corriente y no pulse el interruptor de encendido.

1. Pulse el interruptor para extraer la tapa inferior del compartimento de polvo y vacíe el contenido.

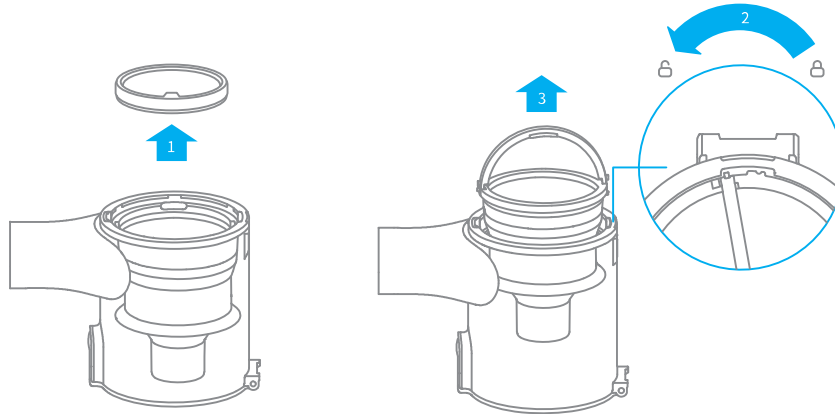


2. Mueva el interruptor de liberación del compartimento para el polvo en la dirección indicada por la flecha y retire suavemente el compartimento de polvo de la aspiradora.

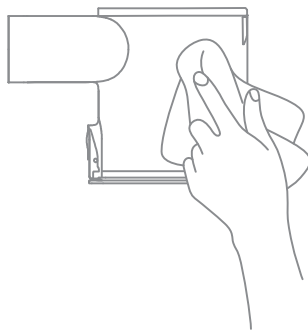


Care & Maintenance

3. Quite primero el prefiltro, luego levante el mango del ciclón y gire en sentido contrario a las agujas del reloj hasta que se detenga, por último, tire para sacar el separador ciclónico.

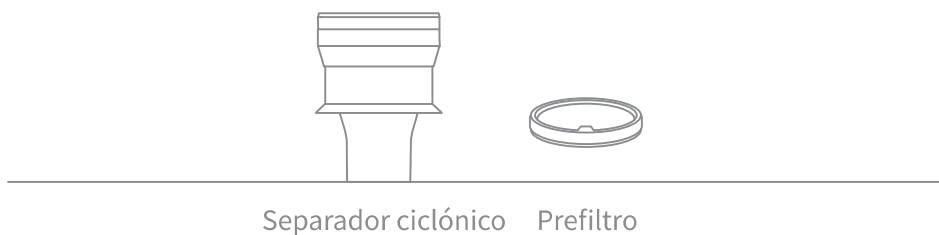
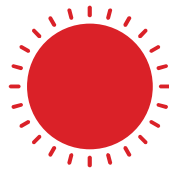


4. Limpie el depósito de polvo con un paño suave y húmedo. Asegúrese de escurrir el paño antes de usarlo.



Para reducir el riesgo de descarga eléctrica, no enjuague el depósito de polvo con agua.

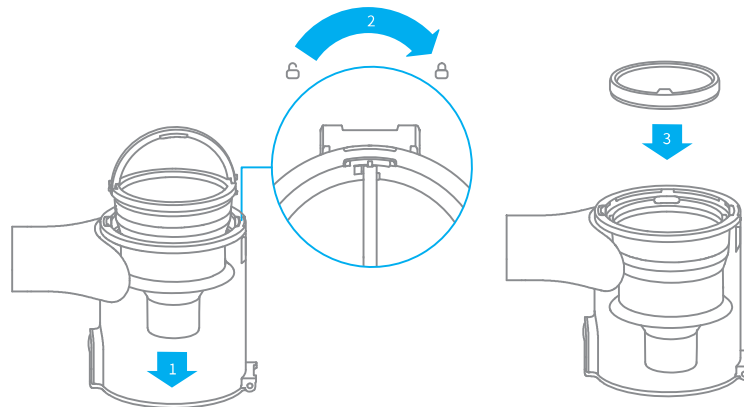
5. Enjuague el prefiltro y el separador ciclónico hasta que estén limpios. Después del lavado, séquelos al aire por al menos 24 horas.



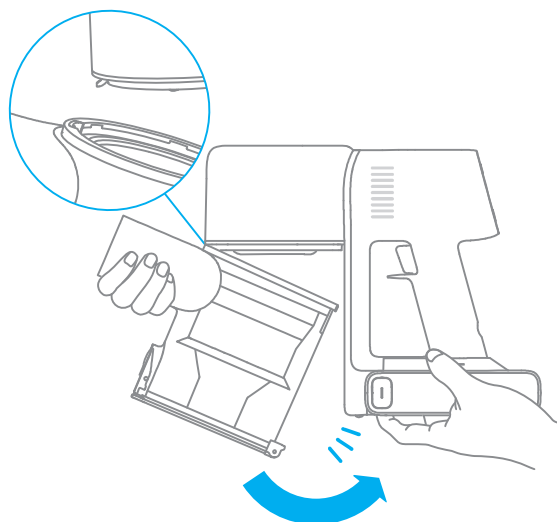
Nota: Se recomienda limpiar el prefiltro, como mínimo, una vez cada 3 meses y el sistema ciclónico una vez cada 6 meses.

Instalación del compartimento para el polvo, el prefiltro y el separador ciclónico.

1. Inserte verticalmente el ciclón en el compartimento de polvo y asegúrese de que el mango está alineado con la ranura del lado izquierdo del compartimento de polvo. Gire el mango en el sentido de las agujas del reloj hasta que esté fijo. Luego baje el mango.
2. Coloque el prefiltro dentro del separador ciclónico, con la parte frontal mirando hacia arriba.



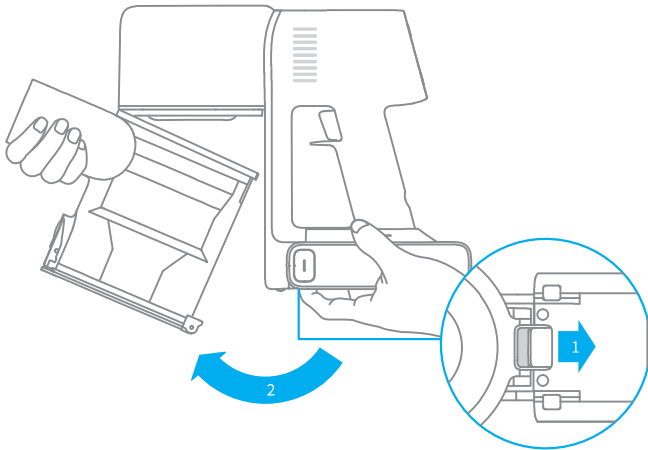
3. Incline ligeramente el compartimento de polvo para que sus ranuras queden alineadas con la pestaña de la aspiradora. Luego presione suavemente sobre el compartimento de polvo hasta que encaje en su sitio.



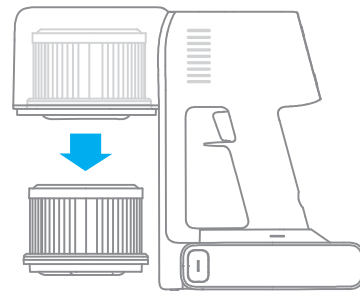
Limpieza del filtro

Se recomienda limpiar el filtro una vez cada 4 o 6 meses.

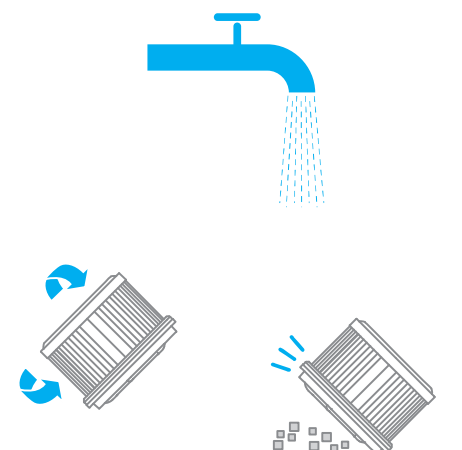
1. Extraiga el compartimento del polvo como se indica en la imagen.



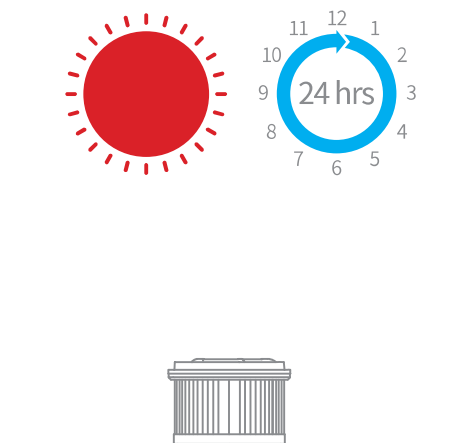
2. Extraiga el filtro de la aspiradora tirando hacia abajo, en la dirección que se muestra en la imagen.



3. Limpie el filtro con agua limpia. Asegúrese de girar el filtro 360° para quitar toda la suciedad del filtro. Golpee suavemente el filtro varias veces para extraer cualquier exceso de suciedad.



4. Deje secar el filtro durante, al menos, 24 horas.

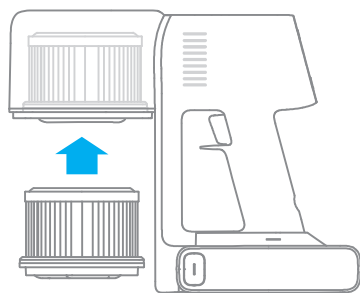


Nota:

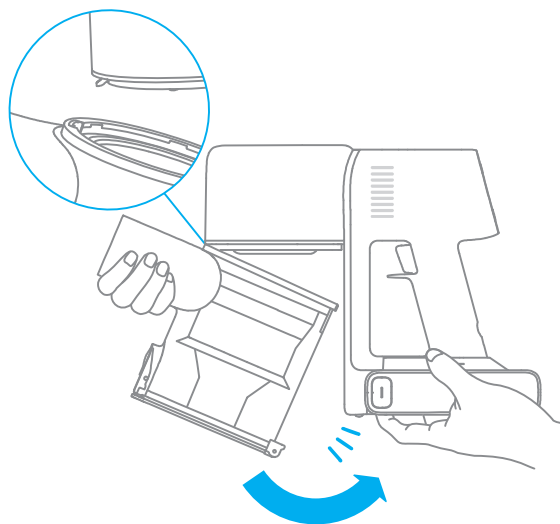
- Utilice únicamente agua limpia para limpiar el filtro. No utilice detergentes.
- No intente limpiar el filtro con un cepillo ni con los dedos.

Instalación del filtro

1. Inserte el filtro en la aspiradora y presione suavemente hacia abajo, como se indica en la imagen.

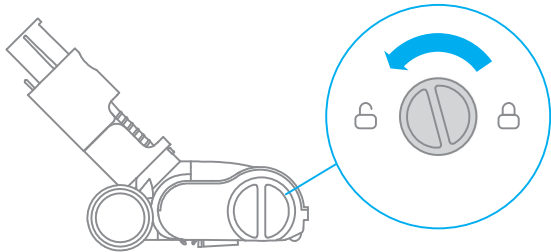


2. Vuelva a instalar el compartimento de polvo.

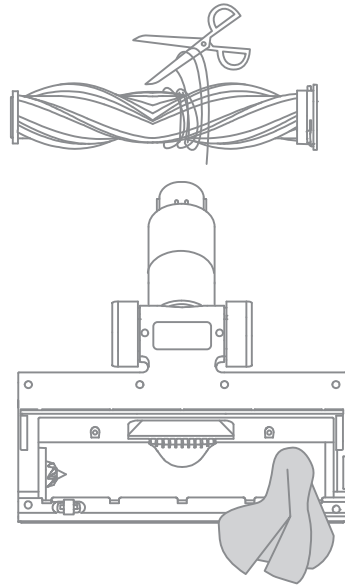


Limpiar la barra-cepillo multifunción

1. Gire el cierre en sentido antihorario hasta que se detenga, luego retire el cepillo giratorio de la barra-cepillo multifunción.



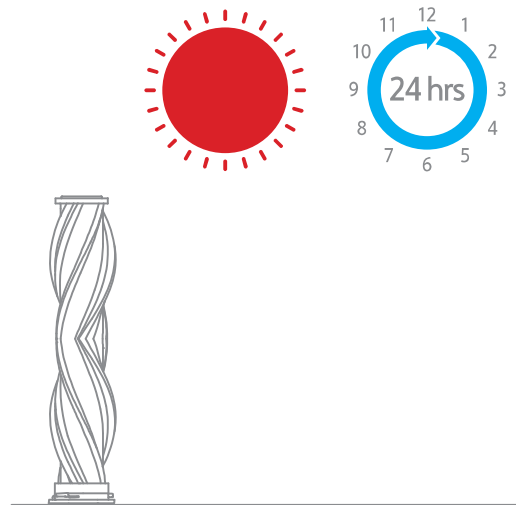
2. Utilice unas tijeras para cortar y recoger los pelos, o cualquier otro desecho, que se haya quedado enredado en el rodillo. Limpie el exceso de polvo de la ranura y de la cubierta de plástico transparente con un paño seco o con papel absorbente.



3. Cuando esté sucio, enjuague el cabezal del cepillo con agua limpia hasta que esté limpio.

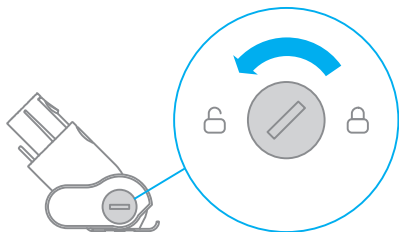


4. Tras la limpieza, deje que el rodillo se seque completamente, poniéndolo en posición vertical en un área bien ventilada durante al menos 24 horas.

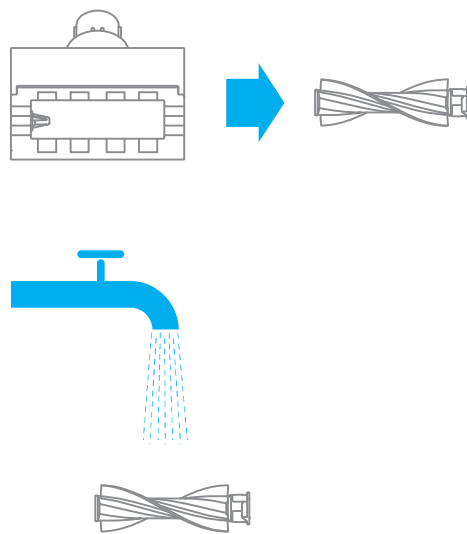


Limpeza del minicepillo eléctrico

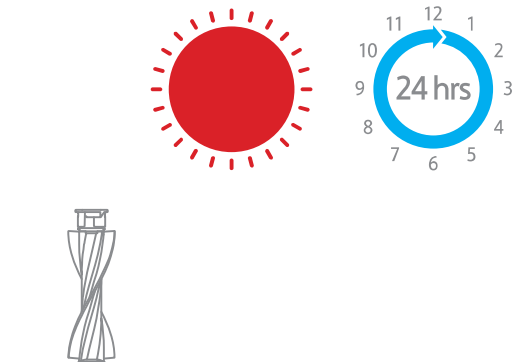
1. Utilice una moneda para girar el cierre en sentido contrario a las agujas del reloj, hasta que oiga un clic.



2. Tras desbloquear el rodillo, retírelo del minicepillo eléctrico y enjuague y limpie el rodillo.



3. Tras la limpieza, deje que el rodillo se seque completamente, poniéndolo en posición vertical en un área bien ventilada durante al menos 24 horas.



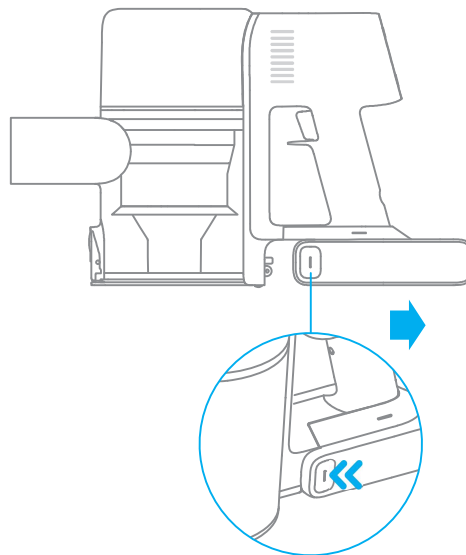
4. Cuando el rodillo esté seco, vuelva a colocarlo siguiendo los pasos del desmontaje a la inversa.



Pack de batería

La aspiradora contiene un pack de batería de ion de litio recargable y extraíble que cuenta con un número limitado de ciclos de recarga. Tras un uso prolongado, el pack de batería dejará de poder realizar una carga. Si esto ocurre, significará que el pack de batería ha alcanzado el fin de su vida útil y deberá sustituirlo.

1. Pulse el botón de liberación del pack de batería y deslícelo hacia la derecha para sacarlo, como se muestra en la imagen.
2. Instale el nuevo pack de batería.



Especificaciones

Aspiradora			
Modelo	VTE3	Tensión de carga	34 V ===
Potencia nominal	550 W	Tensión nominal	29,6 V ===
Tiempo de carga	Aproximadamente 4 horas	Capacità della batteria	2900 mAh (Capacidad nominal)
Barra-cepillo multifunción			
Modelo	AVB15		
Potencia nominal	40 W	Tensión nominal	29,6 V ===
Minicepillo eléctrico			
Modelo	VPA3		
Potencia nominal	20 W	Tensión nominal	29,6 V ===
Cargador			
Modelo	ZD024M340090US		
Entrada	100 - 240 V ~ 50-60 Hz, 0,8 A max	Salida	34 V=== 0,9 A
Pack de batería de ion de litio recargable			
Modelo de batería	P2033-8S1P-PAA	Capacità della batteria	2900 mAh (Capacidad nominal)
Tensión nominal	29,6 V ===	Energía	81,4 Wh

El pack de batería de ion de litio contiene sustancias perjudiciales para el medio ambiente. Antes de desechar la aspiradora, quite el pack de batería y deséchelo o recíclelo siguiendo las leyes y reglamentos locales del país o región en el que se use.

Preguntas frecuentes

Si el aspirador no funciona correctamente, consulte la siguiente tabla de posibles soluciones.

Averías comunes	Posible causa	Solución
La aspiradora no funciona	No tiene batería o le queda poca.	Cargue completamente la aspiradora y reanude el uso.
	Activa el modo de protección contra sobrecalentamiento debido a una obstrucción.	Espere hasta que el aspirador se enfríe, luego reactivélo.
	La abertura de succión o el conducto de aire está bloqueado.	Limpie cualquier obstrucción de la abertura de succión o del conducto de aire.
La potencia de succión disminuye	El compartimento de polvo está lleno y/o el filtro está obstruido.	Vacíe el depósito del polvo y limpie el conjunto del filtro.
	El accesorio ensamblado está bloqueada.	Despeje cualquier bloqueo en el accesorio ensamblado.
El motor hace un ruido raro	La abertura de succión principal o varilla extensible están bloqueadas.	Limpie cualquier obstrucción en la abertura de succión principal o en la Varilla extensible.
El indicador de batería no se enciende durante la carga	El cargador no está conectado a la aspiradora.	Asegúrese de que el cargador esté bien conectado.
	La batería está totalmente cargada y cambió al modo de suspensión.	Puede utilizar la aspiradora como de costumbre.
	La batería se carga lentamente.	Si el problema persiste después de descartar las dos posibilidades anteriores.
Póngase en contacto con el servicio posventa para obtener ayuda	La temperatura de la batería es demasiado alta o baja.	Espere a que la temperatura de la batería se normalice y reanude el uso.

Indicación de fallo

Si la aspiradora no funciona con normalidad, en la pantalla aparecerá un mensaje de error. Consulte la tabla siguiente para encontrar la solución al problema en función del mensaje de error.

Icono del error	Mensaje del error	Soluciones
	Sobrecalentamiento de la batería	Espere a que la temperatura de la batería se normalice antes de reanudar el uso.
	El rodillo está atascado	Consulte "Limpieza de la barra-cepillo multifunción en la sección de Cuidado y mantenimiento para ver las instrucciones de cómo limpiar de pelo y otros desechos el rodillo.
	Conducto de aire bloqueado	Compruebe si el depósito de polvo, la varilla extensible y el barra-cepillo multifunción están bloqueados.
	Error	Póngase en contacto con el servicio posventa para concertar una cita de mantenimiento.
	Batería Baja	Recárguela cuanto antes.
	La batería se ha agotado	Recárguela cuanto antes.
	Filtro a punto de expirar	Reemplace el filtro a tiempo.
	Filtro no instalado	Assicurarsi che il filtro e il pre-filtro siano installati correttamente.
	Reemplazar el filtro	Reemplace el filtro a tiempo. Después de reemplazar el filtro, presione y mantenga presionado el botón  durante 1.5 segundos para ingresar la cuenta regresiva de reinstalar el filtro. Mantenga presionado el botón durante otros 5 segundos hasta que  aparezca en la pantalla, que indica reinstalación exitosa  .