

Dreame Z10 Station-T

Cordless Vacuum Cleaner with Auto Empty

User Manual

DREAME

EN	User Manual	1
CFR	Manuel d'utilisation	10
AES	Manual de Usuario	20

THANK YOU

FOR PURCHASING THIS DREAME VACUUM CLEANER.

Registration Quick Start

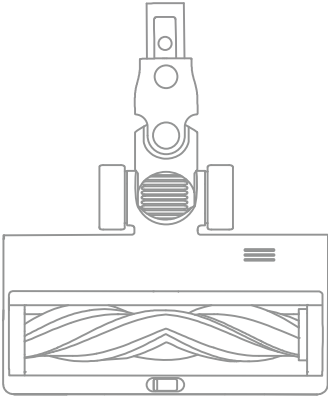
Please register for a Dreame account by scanning this QR code.

You will be able to receive **special offers** and access your devices **user manual** online.

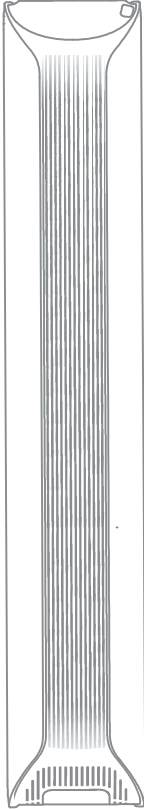


The high-quality product is engineered for optimal performance. If you have any questions on the product, please contact us: support.us@dreame.tech

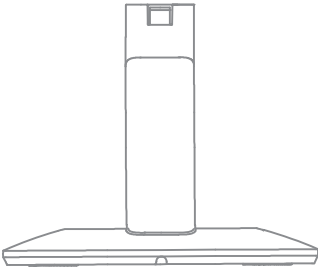
A-1



1



2



3



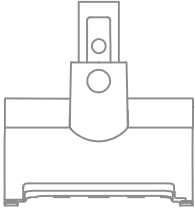
4



5



6

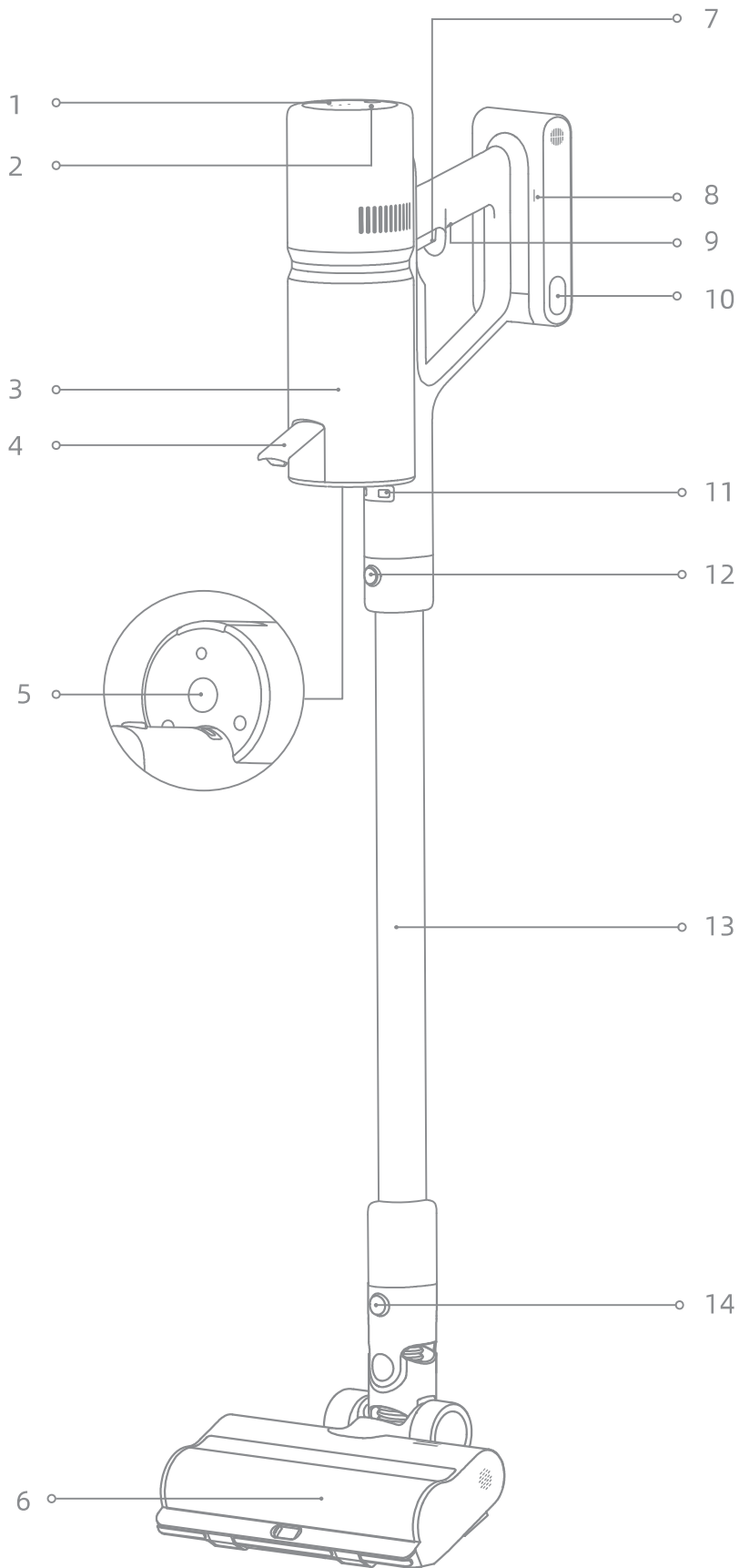


7

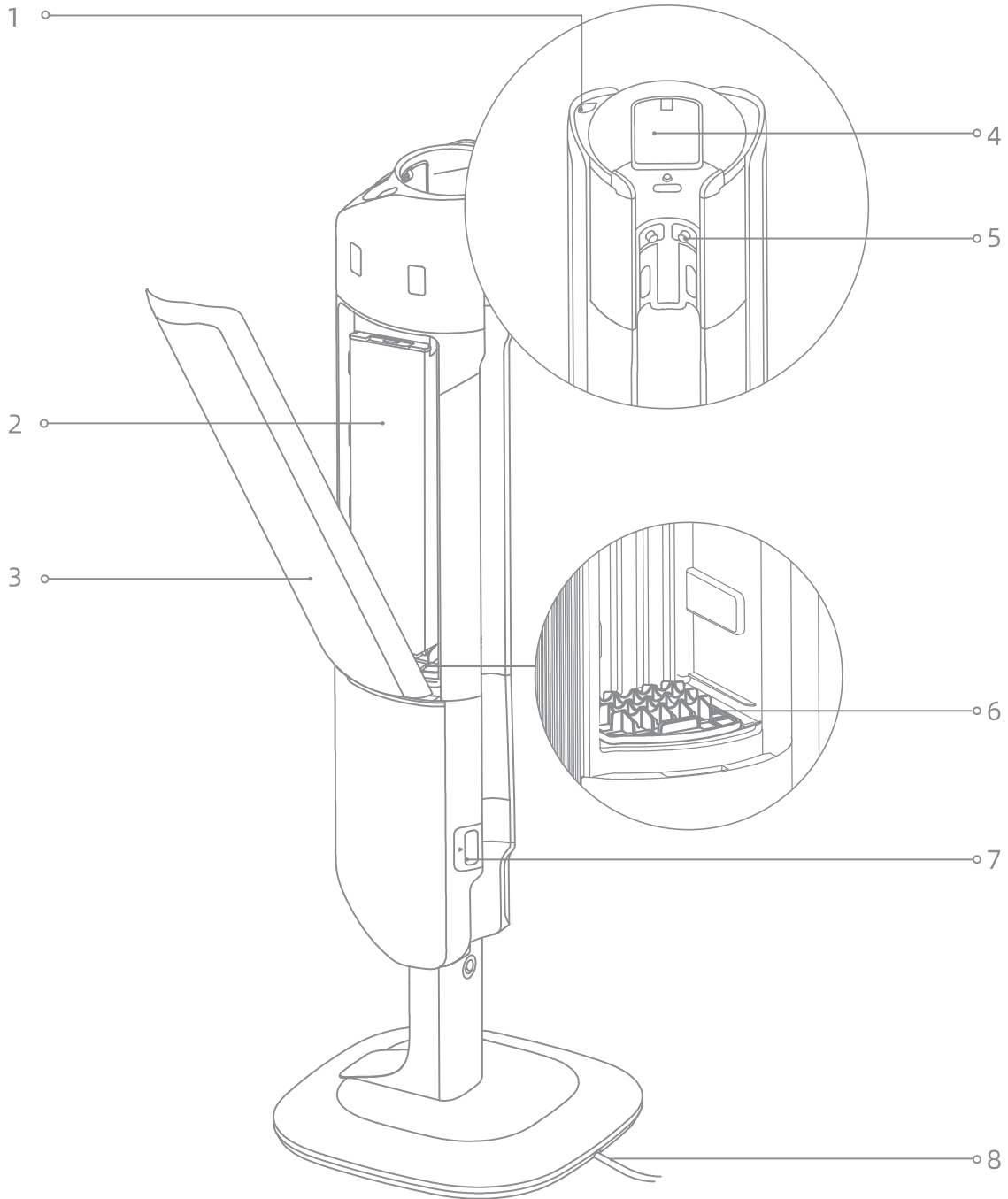


8

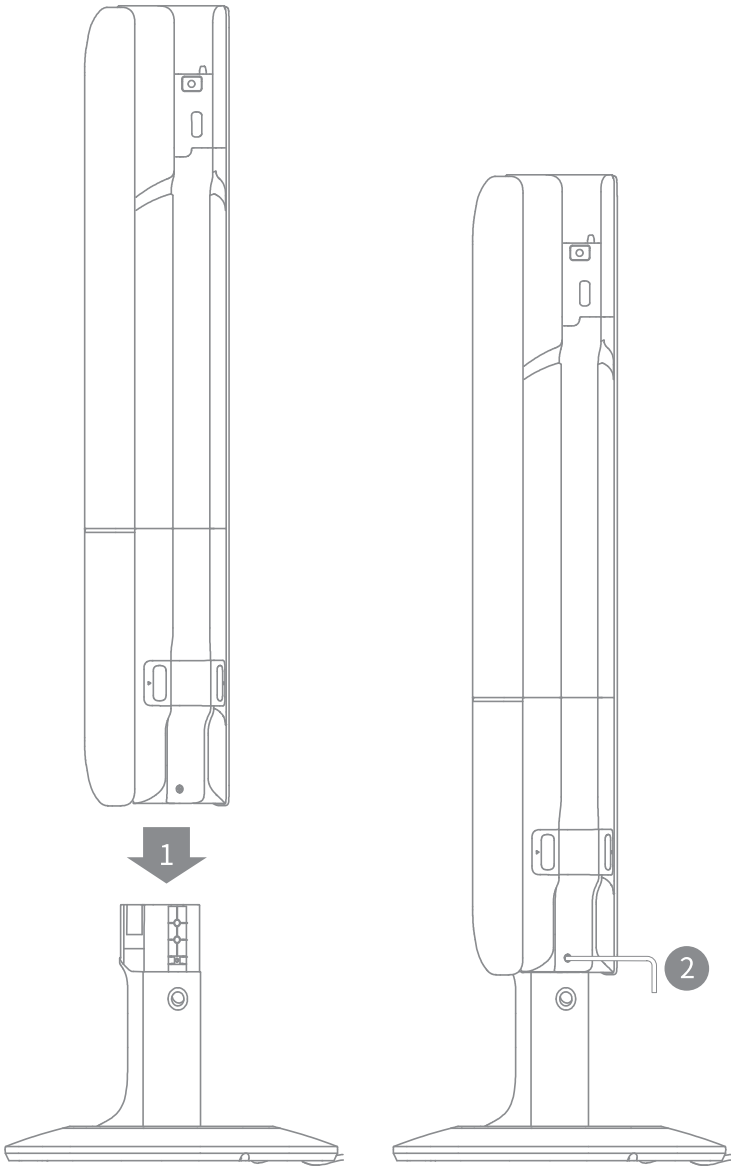
A-2



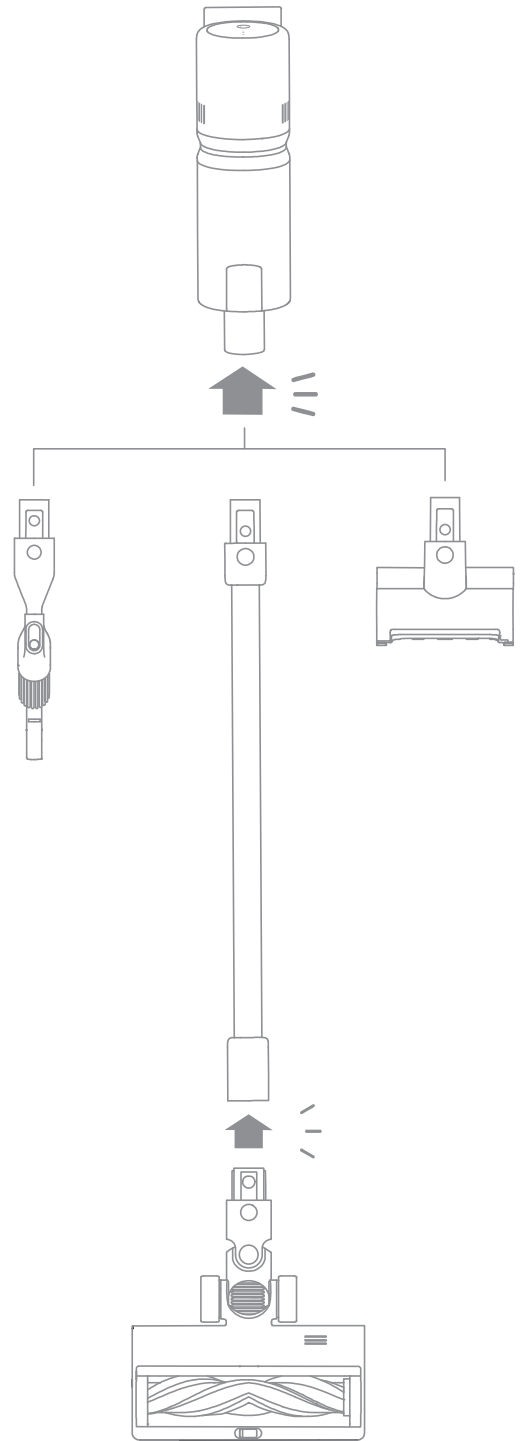
A-3



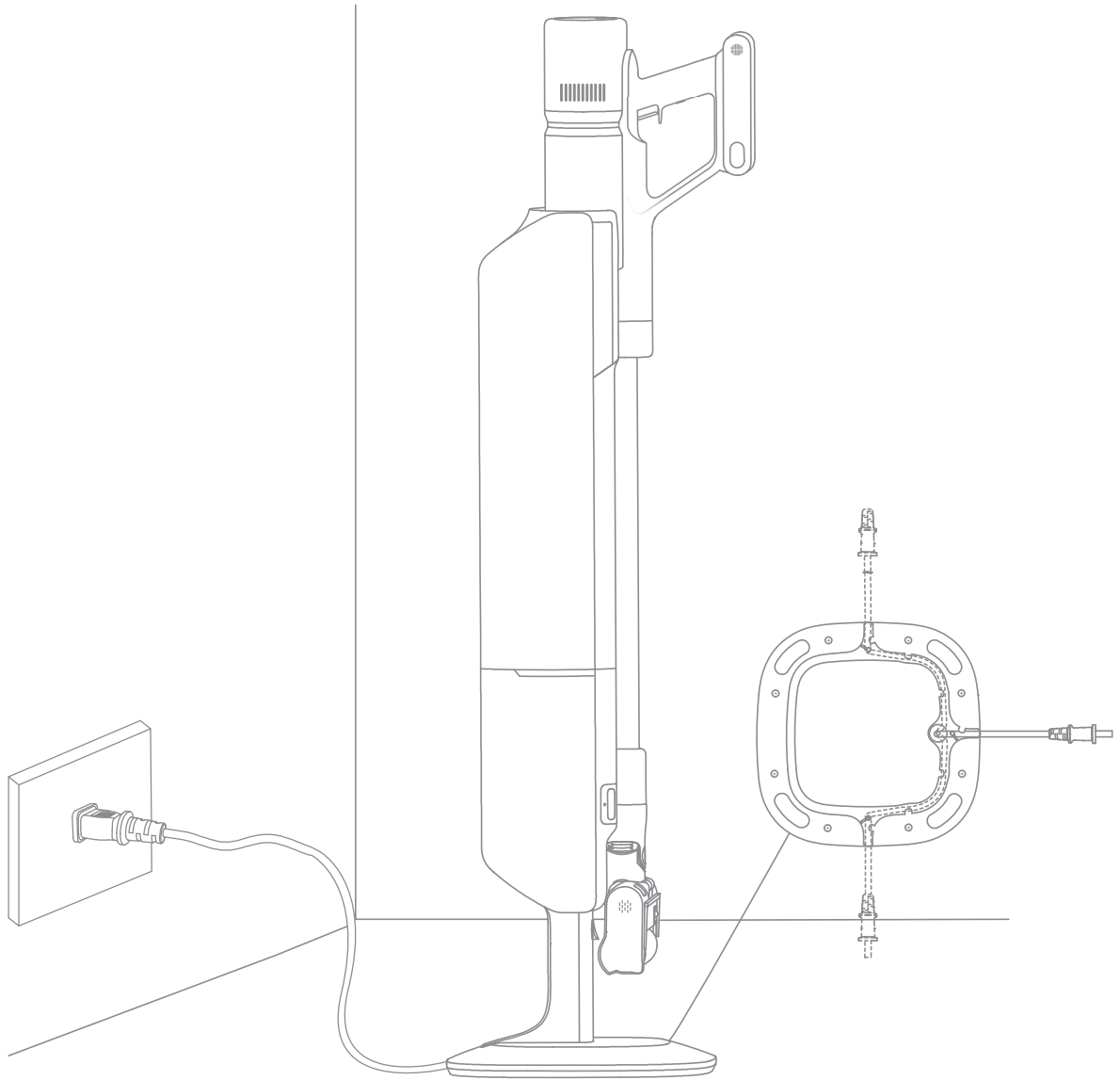
B-1



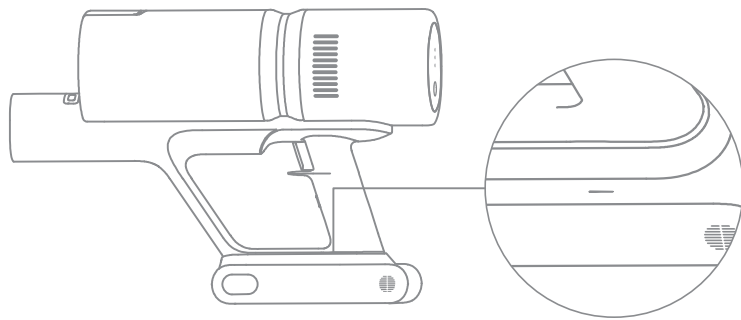
B-2



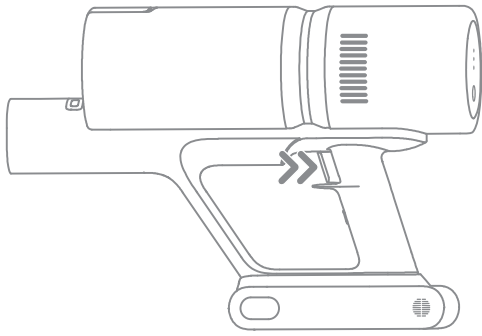
C-1



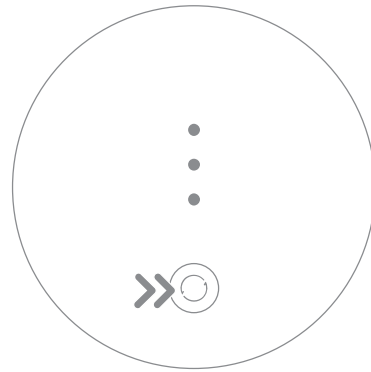
C-2



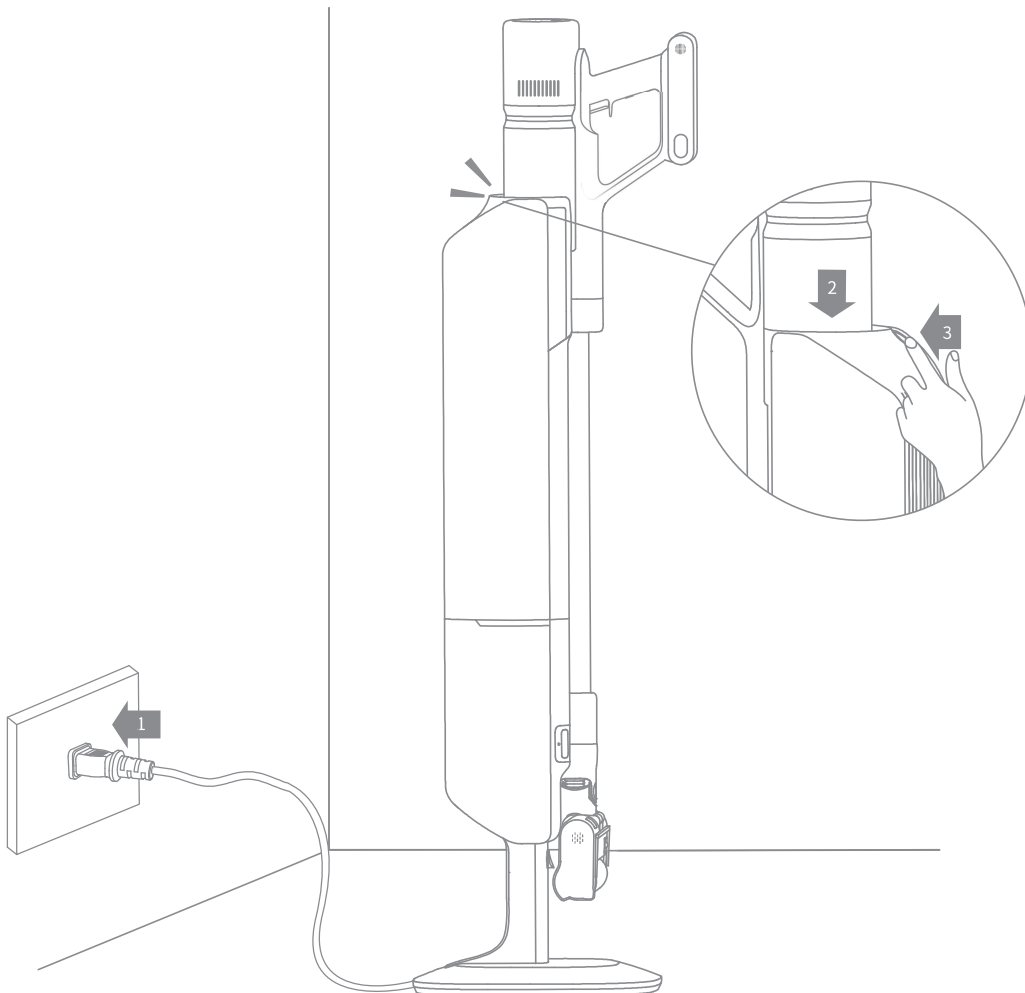
D-1



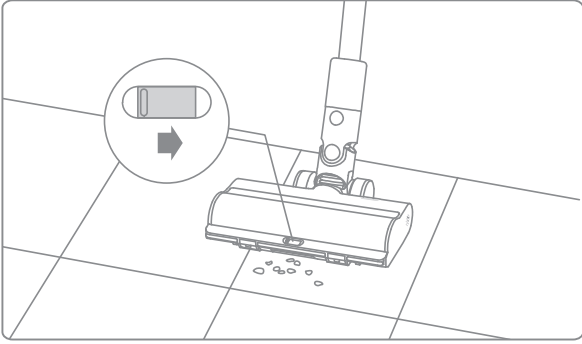
D-2



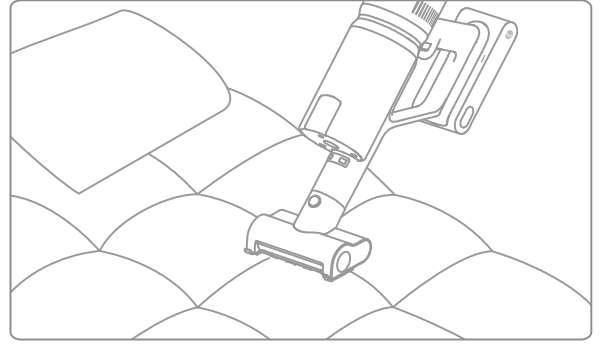
D-3



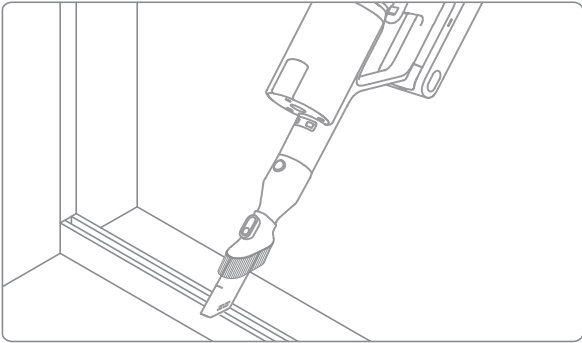
D-4



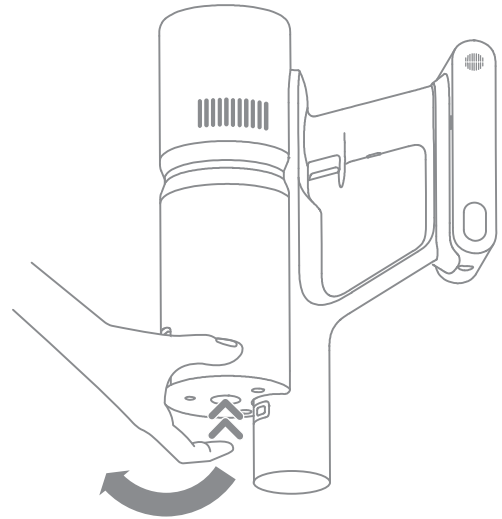
D-5



D-6



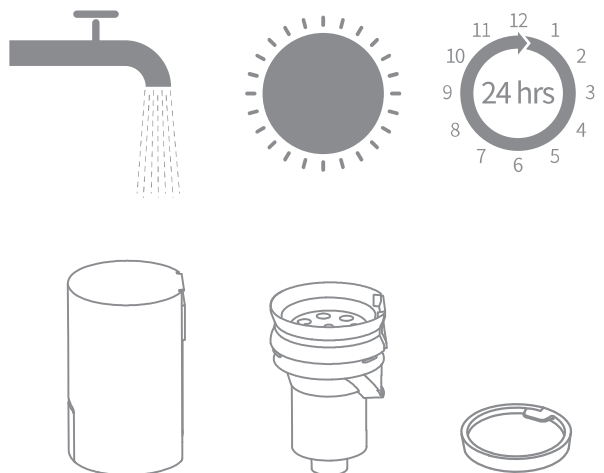
E-1



E-2



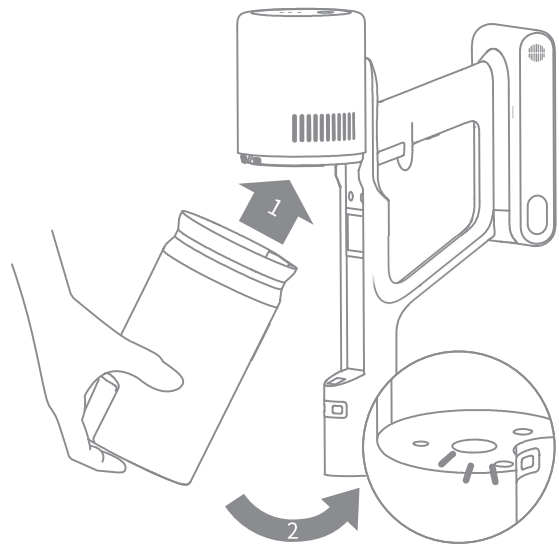
E-3



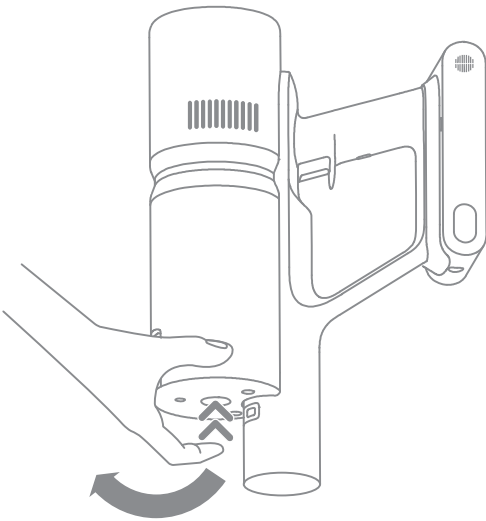
E-4



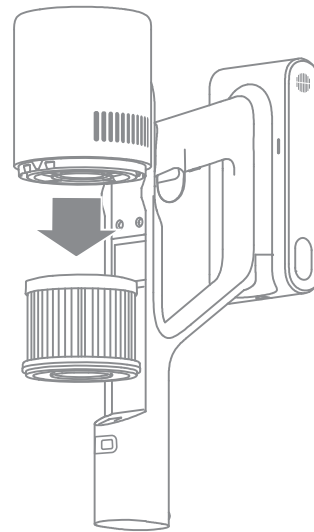
E-5



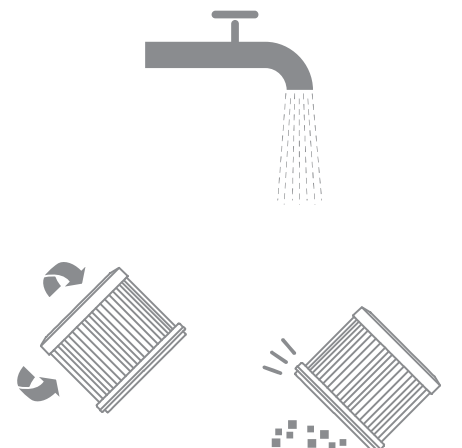
E-6



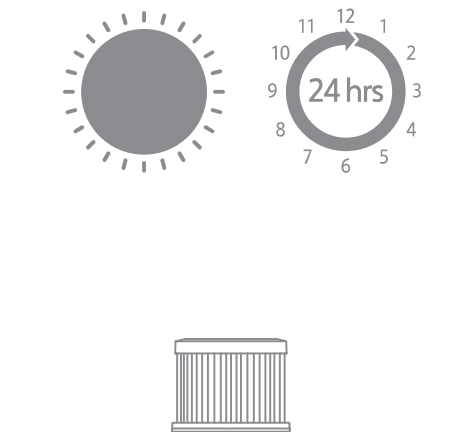
E-7



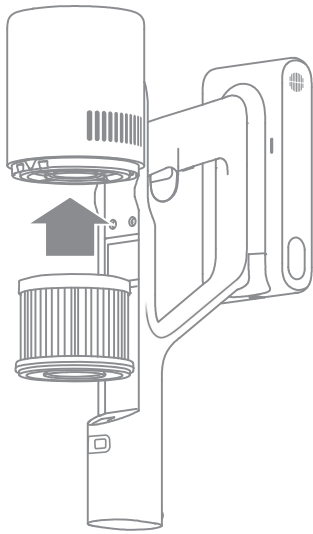
E-8



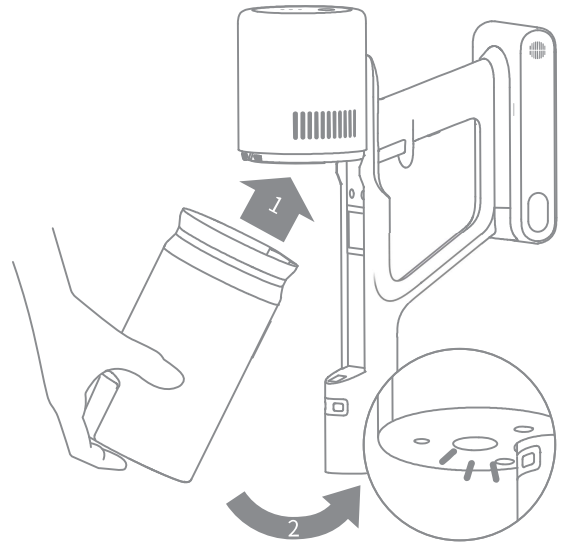
E-9



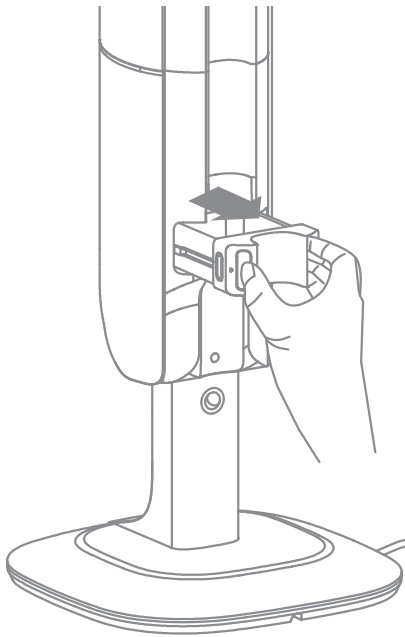
E-10



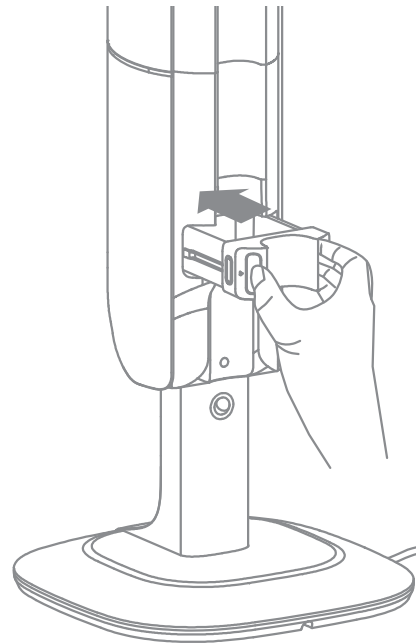
E-11



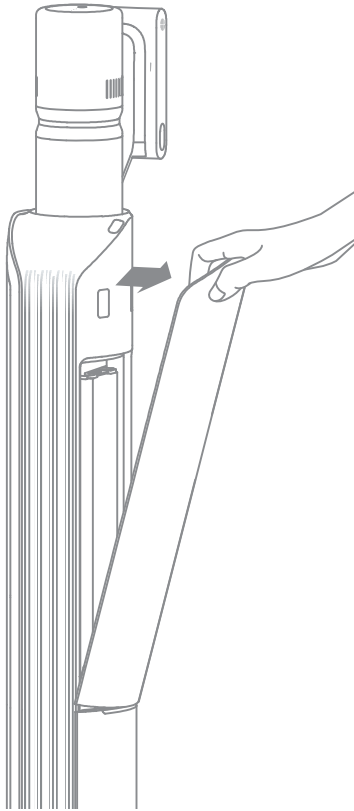
E-12



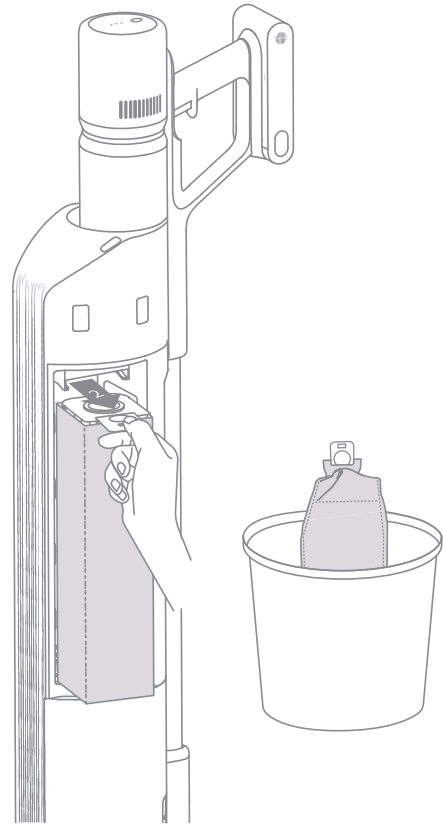
E-13



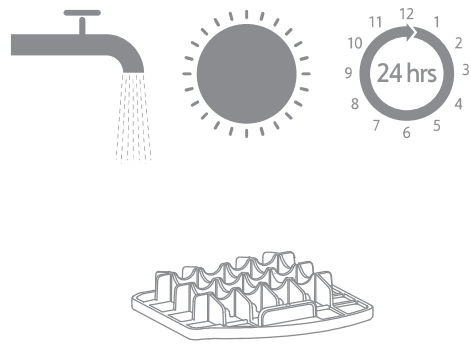
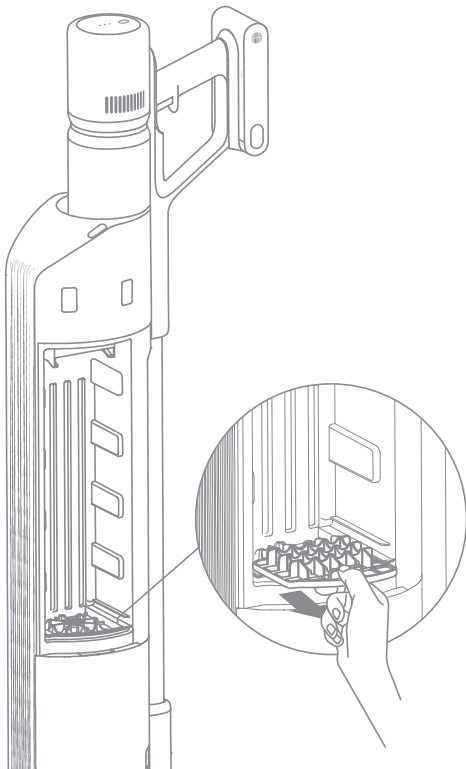
E-14



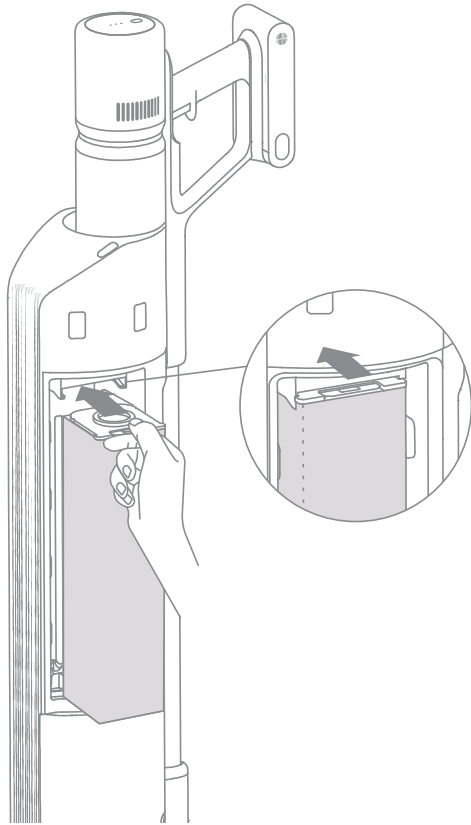
E-15



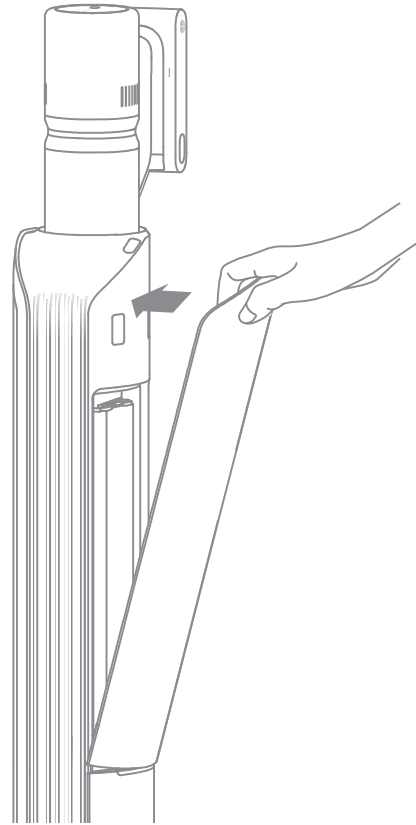
E-16



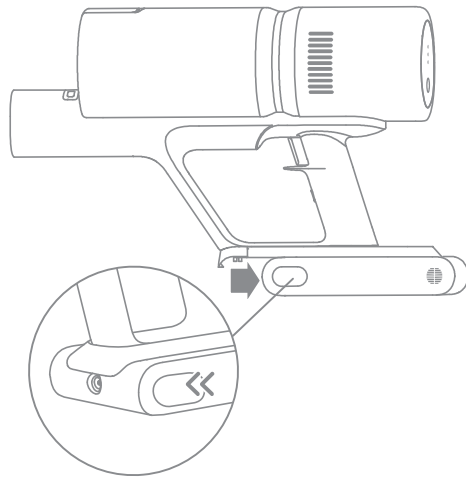
E-17



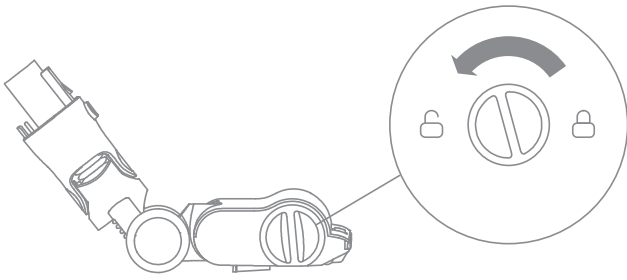
E-18



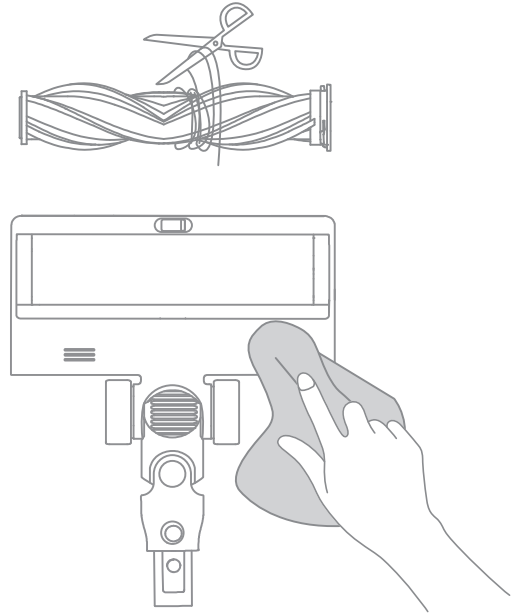
E-19



E-20



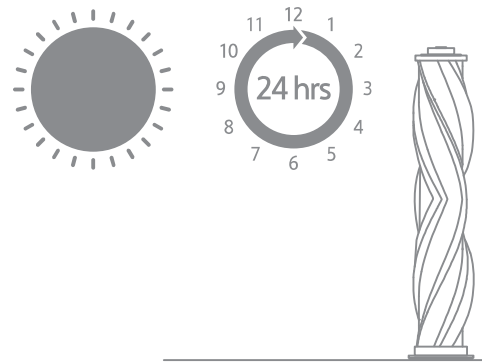
E-21



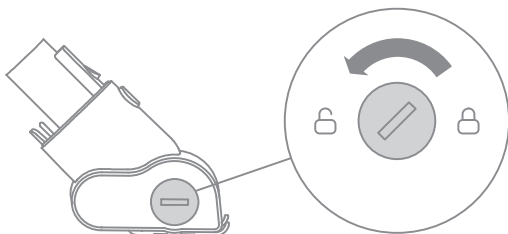
E-22



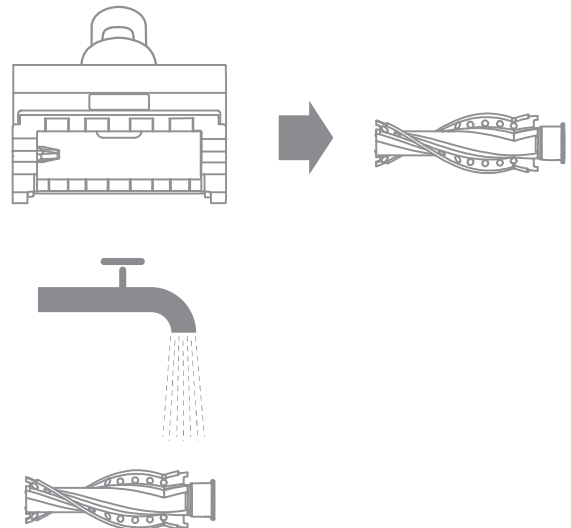
E-23



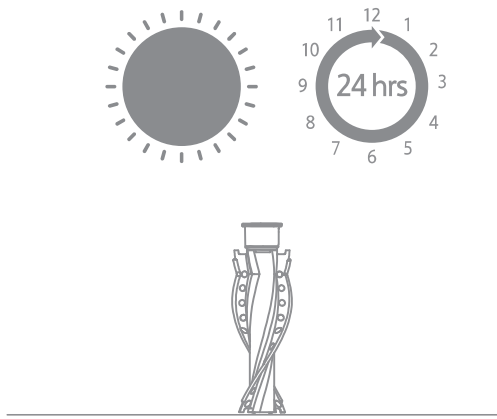
E-24



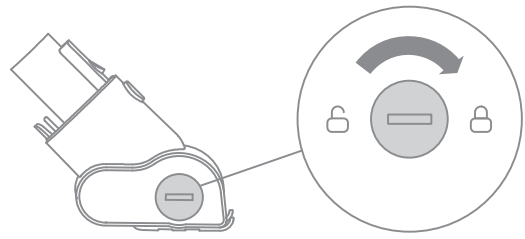
E-25



E-26



E-27



Safety Information

IMPORTANT SAFETY INSTRUCTIONS

When using an electrical appliance, basic precautions should always be followed, including the following:

READ ALL INSTRUCTIONS BEFORE USING (THIS APPLIANCE). Failure to follow the warnings and instructions may result in electric shock, fire and/or serious injury.

WARNING - To reduce the risk of fire, electric shock, or injury:

Do not use outdoors or on wet surfaces.

Do not allow to be used as a toy. Close attention is necessary when used by or near children, pets or plants.

Use only as described in this manual. Use only manufacturer's recommended attachments.

Do not use with damaged cord or plug. If appliance is not working as it should, has been dropped, damaged, left outdoors, or dropped into water, return it to a service center.

Do not pull or carry by cord, use cord as a handle, close a door on cord, or pull cord around sharp edges or corners.

Do not run appliance over cord. Keep cord away from heated surfaces.

Do not unplug by pulling on cord. To unplug, grasp the plug, not the cord.

Do not handle charger, including charger plug, and charger terminals with wet hands. Do not put any object into openings.

Do not use with any opening blocked; keep free of dust, lint, hair, and anything that may reduce air flow.

Keep hair, loose clothing, fingers, and all parts of body away from openings and moving parts.

Use extra care when cleaning on stairs.

Do not use to pick up flammable or combustible liquids, such as gasoline, or use in areas where they may be present.

Do not pick up anything that is burning or smoking, such as cigarettes, matches, or hot ashes.

Do not use without dust cup, dust bag and/or filters in place.

Prevent unintentional starting. Ensure the switch is in the off-position before connecting to battery pack, picking up or carrying the appliance. Carrying the appliance with your finger on the switch or energizing appliance that have the switch on invites accidents.

Disconnect the battery pack from the appliance before making any adjustments, changing accessories, or storing appliance. Such preventive safety measures reduce the risk of starting the appliance

accidentally.

Recharge only with the charger specified by the manufacturer. A charger that is suitable for one type of battery pack may create a risk of fire when used with another battery pack.

Use appliances only with specifically designated battery packs. Use of any other battery packs may create a risk of injury and fire.

When battery pack is not in use, keep it away from other metal objects, like paper clips, coins, keys, nails, screws or other small metal objects, that can make a connection from one terminal to another. Shorting the battery terminals together may cause burns or a fire.

Under abusive conditions, liquid may be ejected from the battery; avoid contact. If contact accidentally occurs, flush with water. If liquid contacts eyes, additionally seek medical help. Liquid ejected from the battery may cause irritation or burns.

Do not use a battery pack or appliance that is damaged or modified. Damaged or modified batteries may exhibit unpredictable behavior resulting in fire, explosion or risk of injury.

Do not expose a battery pack or appliance to fire or excessive temperature. Exposure to fire or temperature above 130°C may cause explosion.

Follow all charging instructions and do not charge the battery pack or appliance outside of the temperature range specified in the instructions. Charging improperly or at temperatures outside of the specified range may damage the battery and increase the risk of fire.

Have servicing performed by a qualified repair person using only identical replacement parts. This will ensure that the safety of the product is maintained.

Do not modify or attempt to repair the appliance or the battery pack except as indicated in the instructions for use and care.

Do not use and store in extremely hot or cold environments (below 0°C/32°F or above 40°C/104°F). Please charge the cordless vacuum cleaner in temperature above 0°C/32°F and below 40°C/104°F.

Always turn off this appliance before connecting or disconnecting motorized nozzle.

Turn off all controls before unplugging.

Unplug from outlet when not in use and before connecting dust-removal hub onto the base, cleaning or servicing.

The battery is replaceable. Only use the approved battery type (Model V2308-7S1P-BCB). The lithium battery type suitable for dust-removal hub to charge is the approved battery type. Failing to do so may cause the lithium-ion battery to catch fire.

SAVE THESE INSTRUCTIONS

Household use only.

To reduce the risk of electric shock, the dust-removal hub of the appliance has a polarized plug (one blade is wider than the other). This plug will fit in a polarized outlet only one way. If the plug does not fit fully in the outlet, reverse the plug. If it still does not fit, contact a qualified electrician to install the proper outlet. Do not change the plug in any way.

Caution:

This device complies with Part 15 of the FCC Rules / Innovation, Science and Economic Development Canada's licence-exempt RSS(s). Operation is subject to the following two conditions:

1. this device may not cause harmful interference.
2. this device must accept any interference received, including interference that may cause undesired operation.

Changes or modifications not expressly approved by the party responsible for compliance could void the user's authority to operate the equipment. This equipment has been tested and found to comply with the limits for a Class B digital device, pursuant to part 15 of the FCC Rules.

These limits are designed to provide reasonable protection against harmful interference in a residential installation.

This equipment generates uses and can radiate radio frequency energy and, if not installed and used in accordance with the instructions, may cause harmful interference to radio communications.

However, there is no guarantee that interference will not occur in a particular installation.

If this equipment does cause harmful interference to radio or television reception, which can be determined by turning the equipment off and on, the user is encouraged to try to correct the interference by one or more of the following.



Read operator's manual



For indoor use only



time-lag miniature fuse-link

where T15A is the symbol for the time/current characteristic

— — —	Direct current
~	Alternating current

Product Overview

Accessories

1. Multi-Surface Brush
2. Dust-Removal Hub
3. Base
4. Extension Rod
5. Combination Tool
6. Dust Collection Bag (pre-installed)
7. Motorized Mini-Brush
8. Accessory Bag (Screw × 1 + Hex Key × 1)

Fig. A-1

Component Names

1. Suction Level Status Indicator
Turbo : Med : Eco .
2. ☉ Suction Level Switch
3. Dust Cup
4. Dust Cup Vent
5. Dust Cup Release Button
6. Multi-Surface Brush
7. ⏻ Power Button
(Press to turn on/Release to turn off)
8. Battery Status Indicator
9. Antistatic Contact
10. Battery Pack Release Button
11. Charging Contacts
12. Extension Rod Release Button
13. Extension Rod
14. Brush Release Button

Fig. A-2

Note: The illustrations in this manual are indicative only. The actual product may differ.

Dust-Removal Hub

1. Dust Collection Button
Dust Collection Status Indicator
 - Solid Green
The dust-removal hub is in standby mode
 - Blinking Green
The dust-removal hub is prepared to

collect dust

- Solid Orange
The dust collection bag uninstalled or inappropriately installed
 - Blinking Orange
The dust collection bag reaches capacity / the air duct is blocked
2. Dust Collection Bag
 3. Magnetic Cover
 4. Dust-Removal Hub Vent
 5. Charging Contacts
 6. Dust Cabinet Filter
 7. Air Outlet Filter
 8. Power Cord

Fig. A-3

Installation

Dust-Removal Hub Installation

Assemble dust-removal hub onto the base, and use the hex key in the accessory bag to tighten the screw.

Fig. B-1

Accessories Installation

☰ Click

Fig. B-2

Note:

- It is not recommended to use the motorized mini-brush with the extension rod.
- Please install the accessories according to the actual cleaning needs.

Charging

Charging with the Dust-Removal Hub

Note:

- After the plug is connected to the power outlet, turn on the switch on the back of the dust-removal hub (1: ON/0: OFF) to start charging.

- Fully charge the vacuum before using it for the first time.
- The vacuum cannot be used while charging. This will take about 3.5 hours.
- Vacuuming at Turbo mode for a prolonged period will cause the battery to heat up, which increases charging time. Allow the vacuum to cool down for 30 minutes before charging it.
- When the vacuum is not in use, it can be placed on the dust-removal hub.
- The outlet of the power cord can be adjusted according to users' needs.

Fig. C-1

Battery Status Indicator Charging

○ Fully charged ☀ Charging ● Standby Mode

Discharging

○ Battery Level ≥ 10%

☀ Battery Level < 10%

○ Solid white ☀ Blinking white ● Off

Fig. C-2

How to Use

Working Method

Press and hold the power button to start the appliance, and release the button to stop immediately.

Fig. D-1

Suction Level Switch

Press briefly to switch between eco, med and turbo mode.

Fig. D-2

How to Use

Starting Dust Collection

1. Place the dust-removal hub near a power outlet and put the plug into it.
2. Place the vacuum on the dust-removal hub (the vent of the dust cup should be aligned with that of the dust-removal hub) until you hear a click.
3. Turn on the switch on the back of the dust-removal hub and press the dust collection button.

Fig. D-3

Note:

- The dust collection process cannot be stopped by pressing the dust collection button.
- If there is a lot of garbage in the dust cup, please perform the dust collection process several times to achieve better cleaning results.
- If the dust collection bag reaches capacity or the air duct is blocked during the dust collection process, the dust-removal hub will stop working after the process is completed and cannot collect dust again.

Using Different Accessories

Multi-Surface Brush

Note:

- The multi-surface brush can be attached directly to the vacuum.
- When the appliance starts, the lights in front of the brush roller will automatically turn on, which is convenient for use.
- When using on baby play mats, carpets or for vacuuming coffee beans, pop corn and other pellets, turn on the switch on the brush.
- When vacuuming on tiles, wooden floors or other hard surfaces, turn off the switch.

Fig. D-4

Motorized Mini-Brush

For vacuuming dirt, pet hair, and other stubborn debris from sofas, bedding, and other fabric surfaces.

Note: It is not recommended to vacuum on fragile surfaces, such as silk.

Fig. D-5

Combination Tool

Suitable for vacuuming cracks, corners of doors and windows, stairs, and other hard-to-reach places.

Fig. D-6

Note:

- If any rotating part becomes stuck, the vacuum may shut off automatically. Remove any trapped foreign objects, then resume use.
- When the battery becomes overheated, the vacuum will automatically shut off. Wait until the battery temperature returns to normal, then resume use.

Care & Maintenance

Tips:

- Always use genuine parts to keep your warranty from being void.
- If the filter or nozzle becomes clogged, the vacuum will stop working shortly after being turned on. Clear the tube to restore functionality.
- Before cleaning the dust cup, please confirm that the plug is disconnected and keep the vacuum's power button in the off position.
- If the vacuum is not used for an extended period, fully charge it, unplug the power cord, remove the battery, and store it in a cool, low-humidity environment away from direct sunlight. To avoid over-discharging the battery, recharge the battery at least once every three months.

Cleaning the Vacuum

Wipe the vacuum with a soft dry cloth.

Cleaning the Dust Cup, Pre-Filter, and Cyclone Assembly

1. Press the dust cup release button and remove it from the vacuum.
2. Remove the pre-filter first, and then rotate the cyclone system to lift it out.
3. Rinse the cyclone assembly, pre-filter, and dust cup until they are clean. After washing, air dry for at least 24 hours.

Fig. E-1-Fig. E-3

Note:

- Please clean the dust cup as needed.
- It is recommended to clean the cyclone system and pre-filter at least once every 3 to 4 months.

Installing the Dust Cup, Pre-Filter, and Cyclone Assembly

1. Install the cyclone assembly and pre-filter into the dust cup.
2. Slightly tilt the dust cup so the slot aligns with the clip on the vacuum. Then gently push the dust cup until it clicks into place.

Fig. E-4-Fig. E-5

Cleaning the Filter

It is recommended to clean the filter once every 4 to 6 months.

1. Remove the dust cup as shown in the figure.
2. Remove the filter from the vacuum by pulling it down in the direction shown in the figure.
3. Rinse the filter with rotating it 360°. Lightly tap the filter several times to remove any debris caught in it.
4. Allow the filter to air dry for 24 hours.

Fig. E-6-Fig. E-9

Note:

- Only use clean water to wash the filter. Do not use detergent.
- Do not attempt to clean the filter with a brush or finger.

Installing the filter

1. Insert the filter into the vacuum and gently press down, as illustrated.
2. Reinstall the dust cup.

Fig. E-10-Fig. E-11

Replacing the Air Outlet Filter

1. Remove the air outlet filter as shown in the figure.
2. Install a new one.

Fig. E-12-Fig. E-13

Note: The air outlet filter is non-washable. It is recommended to replace the filter once every 4 to 6 months.

Replace the dust collection bag

When the dust collection status indicator blinks orange, it means that the dust collection bag reaches capacity and needs to be replaced with a new one.

1. Take off the dust-removal hub cover.
2. Pull out the dust collection bag and discard it.

Note: Pulling outwards on the handle of the dust collection bag will seal the bag to prevent the dust and debris from accidentally falling out.

3. When the filter is dirty, rinse it with water. Then place it in a well-ventilated place for at least 24 hours to make sure it is thoroughly dry.
4. Install a new dust collection bag by inserting the bag handle into the card slot.
5. Install back the dust-removal hub cover.

Fig. E-14-Fig. E-18

Note: It is recommended to replace the dust collection bag every two months. If the dust collection bag reaches capacity, the indicator blinks orange.

Replacing the Battery Pack

The vacuum contains a removable rechargeable lithium-ion battery pack which has a limited number of recharge cycles. After extended use, the battery

pack may no longer hold a charge. If this happens, it means the battery pack has reached the end of its life cycle and needs to be replaced.

1. Press down the battery pack release button and slide the battery pack to the right, as illustrated, to remove it.
2. Install the new battery pack.

Fig. E-19

Cleaning the Multi-Surface Brush

1. Turn the lock counterclockwise until it stops, then remove the roller from the roller brush.
2. Use scissors to cut off the hairs and fibers that get stuck on the brush roller. Wipe the dust from the notch and transparent cover with a dry cloth or paper towel. Thoroughly dry before use.
3. When it is dirty, rinse the brush roller with clean water until it is clean.
4. Stand the brush roller upright for at least 24 hours until it is fully dry.

Fig. E-20-Fig. E-23

Cleaning the Motorized Mini-Brush

1. Use a coin as illustrated to rotate the lock counterclockwise until you hear a click.
2. After unlocking the motorized mini-brush, remove the brush roller, then rinse and clean it.
3. Stand the brush roller upright in a well-ventilated area for at least 24 hours until it is fully dry.
4. Once the brush roller is dry, reinstall it by following the disassembly steps in reverse.

Fig. E-24-Fig. E-27

If the vacuum is not working properly, please refer to the table below.

Errors	Possible Causes	Solutions
Vacuum does not work.	The appliance is out of battery or its battery level is low.	Fully charge the vacuum, then resume use.
	Overheat protection mode triggered by a blockage.	Clean the suction opening or air duct. Wait until the vacuum cools down, then reactivate it.
	The suction opening or air duct is blocked.	Clear any blockage from the suction opening or air duct.
Weak suction force.	The dust cup is full and/or filter assembly is clogged.	Empty the dust cup and/or clean the filter assembly.
	An attachment is blocked.	Clear any blockage in the attachment.
The motor makes a strange noise.	Main suction opening or extension rod is blocked.	Clear any blockage in the main suction opening or extension rod.
The battery indicator is solid red when charging the vacuum.	Battery pack is damaged.	Please contact after-sales service for maintenance (+1 (866) 977-5177/ support.us@dreame.tech).
The battery indicator blinks red after turning on the vacuum.	The motor temperature is too high. / The brush roller is blocked. / The air duct is blocked.	Check these parts in turn.
The battery indicator does not light up when charging.	The vacuum is not properly placed on the dust-removal hub.	Make sure that the charging contacts of the vacuum are aligned with that of the dust-removal hub.
	The battery is charged and switches to Sleep Mode automatically.	The vacuum runs normally.
	The problem persists after ruling out the above two possibilities.	Please contact the after-sales department for maintenance.
Charging too slow.	The battery temperature is too low or too high.	Wait until the battery temperature returns normal, and then recharge.
LED lights of the multi-surface brush do not work.	LED lights are damaged.	Please contact the after-sales department for maintenance.
The dust collection status indicator is solid orange.	The dust collection bag is uninstalled or inappropriately installed.	Before dust collecting starts, confirm that the dust collection bag has been installed appropriately.
The dust collection status indicator is blinking orange.	The dust collection bag reaches capacity or the air duct is blocked.	Replace a new dust collection bag or clean the air duct. Then press and hold the dust collection button for 3s to troubleshoot the problem.

Specifications

Vacuum Cleaner			
Model	VPV42C	Charging Time	approximately 3.5 hours
Rated Power	481 W	Rated Voltage	25.2 V ⁼⁼⁼
Multi-Surface Brush			
Model	VMBU		
Rated Power	40 W	Rated Voltage	25.2 V ⁼⁼⁼
Motorized Mini-Brush			
Model	VMMU		
Rated Power	20 W	Rated Voltage	25.2 V ⁼⁼⁼
Dust-Removal Hub			
Model	VCB1		
Rated Input	120 V ~ 60Hz ,8 A	Rated Output	30.8 V ⁼⁼⁼ 0.99 A
Rechargeable Lithium-Ion Battery Pack			
Model	V2308-7S1P-BCB	Nominal Voltage	25.2 V ⁼⁼⁼
Rated Capacity	2700 mAh	Nominal Capacity	2900 mAh
Energy	68.04 Wh		

The lithium-ion pack contains substances that are hazardous to the environment. Before disposing of the vacuum, please remove the battery pack, then discard or recycle it in accordance with local laws and regulations of the country or region it is used in.

The appliance must be disconnected from the power supply when removing the battery. Keep batteries out of the reach of children. Never put batteries in mouth. If swallowed, contact your physician or local poison control.

Under abusive conditions, never contact the battery from which the liquid may be ejected. If contact accidentally occurs, rinse with water. If liquid contacts eyes, seek medical help immediately. Liquid ejected from the battery may cause irritation or burns.

IMPORTANTES MESURES DE SÉCURITÉ

L'utilisation d'un appareil électrique demande certaines précautions: LIRE TOUTES LES INSTRUCTIONS AVANT DE FAIRE FONCTIONNER (CETAPPAREIL). Le non-respect des mises en garde et des instructions peut causer des chocs électriques, des incendies et/ou des blessures graves.

Avertissement - Pour réduire les risques d'incendie, de choc électrique ou de blessure:

Ne pas exposer à la pluie, Ranger à l'intérieur.

Ne pas permettre aux enfants de jouer avec l'appareil. Une attention particulière est nécessaire lorsque l'appareil est utilisé par des enfants ou à proximité de ces derniers.

N'utiliser que conformément à cette notice avec les accessoires recommandés par le fabricant.

Ne pas utiliser si le cordon ou la fiche est endommagé. Retourner l'appareil à un atelier de réparation s'il ne fonctionne pas bien, s'il est tombé ou s'il a été endommagé, oublié à l'extérieur ou immergé.

Ne pas tirer soulever ni trainer l'appareil par le cordon. Ne pas utiliser le cordon comme une poignée, le coincer dans l'embrasement d'une porte ou l'appuyer contre des arêtes vives ou des coins. Ne pas faire rouler l'appareil sur le cordon. Garder le cordon à l'écart des surfaces chaudes.

Ne pas débrancher en tirant sur le cordon. Tirer plutôt la fiche.

Ne pas manipuler le chargeur, y compris la prise du chargeur, et les bornes du chargeur avec les mains mouillées.

N'insérer aucun objet dans les ouvertures. Ne pas utiliser l'appareil lorsqu'une ouverture est bloquée. S'assurer que de la poussière, de la peluche, des cheveux ou d'autres matières ne réduisent pas le débit d'air.

Maintenir les cheveux, les vêtements amples, les doigts et toutes les parties du corps à l'écart des ouvertures et des pièces mobiles.

User de prudence lors du nettoyage des escaliers.

Ne pas aspirer des liquides inflammables ou combustibles, comme de l'essence, et ne pas faire fonctionner dans des endroits où peuvent se trouver de tels liquides.

Ne pas aspirer de matières en combustion ou qui dégagent de la fumée, comme des cigarettes, des allumettes ou des cendres chaudes.

N'utilisez pas l'appareil sans le bac à poussière, le sac à poussière et/ou les filtres en place.

Emêcher une mise en marche accidentelle. S'assurer que l'interrupteur est à la position arrêt avant de raccorder la batterie,

de lever ou de déplacer l'appareil. Transporter l'appareil en gardant un doigt sur l'interrupteur, ou mettre sous tension un appareil dont l'interrupteur est à la position marche peut causer un accident.

Retirer la batterie de l'appareil avant d'effectuer des réglages, changer les accessoires ou ranger l'appareil. Ces mesures de sécurité ont pour but d'éviter une mise en marche accidentelle de l'appareil.

Recharger uniquement avec le chargeur prescrit par le fabricant. Un chargeur convenant à un type de batterie peut présenter un risque d'incendie lorsqu'il est utilisé avec une autre batterie.

Utiliser uniquement les batteries recommandées pour l'appareil. L'utilisation d'autres types de batteries peut présenter un risque de blessure ou d'incendie.

Lorsque l'appareil n'est pas utilisé, tenir la batterie loin d'objets métalliques comme des trombones, des pièces de monnaie, des clés, des clous, des vis ou autres petits objets qui pourraient établir une liaison entre les bornes. Un court-circuit des bornes des batteries peut causer des brûlures ou un incendie.

En condition d'usage abusif, du liquide peut s'échapper de la batterie ; éviter tout contact avec ce liquide. En cas de contact accidentel, rincer abondamment avec de l'eau. En cas de contact avec les yeux, consulter également un médecin. Le liquide projeté peut causer des irritations ou des brûlures.

Ne pas utiliser une batterie ou un appareil endommagé ou qui a été modifié. Des batteries endommagées ou modifiées peuvent avoir un comportement imprévisible pouvant causer un incendie, une explosion ou un risque de blessure.

Ne pas exposer une batterie ou un appareil à la flamme ou à des températures excessives. L'exposition à une flamme ou à des températures supérieures à 130°C peut causer une explosion.

Respecter toutes les instructions de chargement et ne pas charger la batterie ou l'appareil à des températures qui ne sont pas incluses dans la gamme de températures indiquées dans la notice d'instructions. Un chargement mal effectué.

Confier les réparations à une personne qualifiée qui utilisera uniquement des pièces de remplacement identiques. Cette façon de faire garantira la sécurité du produit.

Ne pas modifier ni tenter de réparer l'appareil ou la batterie sauf comme il est indiqué dans les instructions d'utilisation et d'entretien.

Ne pas l'utiliser ni le stocker dans des environnements extrêmement chauds ou froids (en dessous de 0°C/32°F ou au-dessus de 40°C/104°F). Veuillez charger l'aspirateur sans fil dans des températures supérieures à 0°C/32°F et inférieures à 40°C/104°F.

Éteignez toujours l'appareil avant de brancher ou de débrancher la buse motorisée.

Éteignez toutes les commandes avant de débrancher l'appareil. Débranchez l'appareil lorsqu'il n'est pas utilisé et avant de brancher la station de dépoussiérage sur la base, de la nettoyer ou d'en faire l'entretien.

La batterie est remplaçable. Utilisez uniquement le type de batterie approuvé (modèle V2308-7S1P-BCB). Le type de batterie au lithium adapté à la charge de la station de dépoussiérage est le type de batterie approuvé. Dans le cas contraire, la batterie lithium-ion risque de s'enflammer.

CONSERVER CES INSTRUCTIONS

Usage Domestique seulement.

Afin de réduire le risque de choc électrique, l'embout de dépoussiérage de l'appareil est équipé d'une fiche polarisée (une lame est plus large que l'autre). Cette fiche ne s'insère dans une prise polarisée que dans un seul sens. Si la fiche ne s'insère pas complètement dans la prise, inversez-la. Si elle ne s'insère toujours pas, contactez un électricien qualifié pour qu'il installe une prise appropriée. Ne modifiez en aucun cas la fiche.

Attention:

L'émetteur/récepteur exempt de licence contenu dans le présent appareil est conforme aux CNR d'Innovation, Sciences et Développement économique Canada applicables aux appareils radio exempts de licence. L'exploitation est autorisée aux deux conditions suivantes :

1. L'appareil ne doit pas produire de brouillage;
2. L'appareil doit accepter tout brouillage radioélectrique subi, même si le brouillage est susceptible d'en compromettre le fonctionnement.



Lisez le manuel de l'opérateur



Pour une utilisation à l'intérieur seulement



décalage temporel miniature lien-fusible

où T15A est le symbole de la caractéristique du temps/ du courant

=	Courant continu
~	Courant alternatif

Présentation du produit

Liste des accessoires

1. Brosse multi-surfaces
2. Station de dépoussiérage
3. Base
4. Tige de rallonge
5. Outil combiné
6. Sac de collecte de poussière (x1 préinstallé)
7. Mini-brosse motorisée
8. Sac d'accessoires (Vis × 1 + Clé hexagonale × 1)

Fig. A-1

Nom du composant

1. Indicateur du niveau d'aspiration
Turbo: Standard: Éco.
2. Ⓞ Bouton de niveau d'aspiration
3. Compartiment à poussière
4. Évent du bac à poussière
5. Bouton d'ouverture du bac à poussière
6. Brosse multi-surfaces
7. Ⓞ Bouton d'alimentation
(Appuyer pour allumer/relâcher pour éteindre)
8. Indicateur de l'état de la batterie
9. Contact antistatique
10. Bouton de déverrouillage de la batterie
11. Contacts de recharge
12. Bouton de déblocage de la tige d'extension
13. Tige de rallonge
14. Bouton de libération de la brosse

Fig. A-2

Rappel : Photo non contractuelle, veuillez vous référer aux objets concrets.

Station de dépoussiérage

1. Bouton de collecte de poussière
Indicateur de niveau de collecte de poussière

- Vert fixe
La station de dépoussiérage est en mode veille
 - Vert clignotant
La station de dépoussiérage est prête à recueillir la poussière
 - Orange fixe
Le sac de collecte de poussière est désinstallé ou mal installé
 - Orange clignotant
Le sac de collecte de poussière est plein/ le conduit d'air est bloqué
2. Sac de collecte de poussière
 3. Couvercle magnétique
 4. Évent de la station de dépoussiérage
 5. Contacts de recharge
 6. Filtre du compartiment à poussière
 7. Filtre de sortie d'air
 8. Cordon d'alimentation

Fig. A-3

Procédure d'installation

Installation de la station de dépoussiérage

Assemblez la station de dépoussiérage sur la base et utilisez la clé hexagonale dans le sac d'accessoires pour serrer la vis.

Fig. B-1

Installation d'accessoires

☰ Insérer jusqu'à entendre un déclic

Fig. B-2

Remarque :

- Il n'est pas recommandé d'utiliser la mini-brosse motorisée avec le tube d'extension.
- Installez les accessoires en fonction des besoins réels de nettoyage.

Recharge

Chargement avec la station de dépoussiérage

Remarque :

- Après avoir branché la fiche dans la prise de courant, allumez l'interrupteur situé à l'arrière de la station de dépoussiérage (1 :ON/0 :OFF) pour commencer à charger l'appareil. Chargez entièrement la batterie de l'aspirateur avant la première utilisation.
- L'aspirateur ne peut pas être utilisé pendant la charge. Cela prendra environ 3,5 heures.
- L'aspiration en mode Turbo pendant une période prolongée peut entraîner la surchauffe de la batterie, ce qui augmente le temps de charge. Laissez l'aspirateur refroidir pendant 30 minutes avant de le charger.
- Lorsque l'aspirateur n'est pas utilisé, il peut être placé sur la station de dépoussiérage.
- La disposition du cordon d'alimentation peut être réglée selon les besoins de chaque utilisateur.

Fig. C-1

Indicateur de l'état de la batterie

Recharge

○ Entièrement chargée

☀ Recharge ● Mode veille

En déchargement

○ Niveau de charge de la batterie $\geq 10\%$

☀ Niveau de charge de la batterie $< 10\%$

○ Blanc fixe

☀ Blanc clignotant

● Arrêt

Fig. C-2

Mode d'utilisation

Mode de nettoyage

Appuyez sur le bouton d'alimentation et maintenez-le enfoncé pour démarrer l'appareil, et relâchez le bouton pour l'arrêter immédiatement.

Fig. D-1

Bouton de niveau d'aspiration

Appuyez brièvement pour passer du mode éco au mode médian et au mode turbo.

Fig. D-2

Démarrage de la collecte de poussière

1. Placez la station de dépoussiérage près d'une prise de courant et insérez-y la fiche.
2. Placez l'aspirateur sur la station de dépoussiérage (l'évent du bac à poussière doit être aligné avec celui de la station de dépoussiérage) jusqu'à ce que vous entendiez un déclic.
3. Allumez l'interrupteur situé à l'arrière de la station de dépoussiérage et appuyez sur le bouton de dépoussiérage.

Fig. D-3

Remarque :

- Le processus de collecte de poussière ne peut pas être arrêté en appuyant sur le bouton de collecte de poussière.
- S'il y a beaucoup de déchets dans le bac à poussière, effectuez plusieurs fois le processus de dépoussiérage afin d'obtenir de meilleurs résultats de nettoyage.
- Si le sac de collecte des poussières est plein ou si le conduit d'air est obstrué pendant le processus de collecte des poussières, le dispositif de dépoussiérage s'arrêtera de fonctionner une fois le processus terminé et ne pourra plus collecter de poussières.

Utilisation des différents accessoires

Brosse multi-surfaces

Remarque:

- La brosse multi-surfaces peut être fixée directement à l'aspirateur.
- Lorsque l'appareil démarre, les lumières devant la brosse à rouleau s'allumeront automatiquement, ce qui est pratique à l'utilisation.
- Lorsque vous utilisez sur des tapis de jeux de bébé, des moquettes, ou pour aspirer des grains de café, du pop corn ou des granulés, activez le commutateur sur la brosse.
- Lorsque vous passez l'aspirateur sur du carrelage, des sols en bois ou d'autres surfaces dures, désactivez le commutateur.

Fig. D-4

Mini-brosse motorisée

Pour l'aspiration de poussière, poils d'animaux et autres résidus tenaces sur des canapés, linges de lit et autres surfaces en tissu.

Remarque : il n'est pas recommandé de passer l'aspirateur sur les surfaces qui accrochent, comme la soie.

Fig. D-5

Outil polyvalent

Convient pour aspirer les fissures, les coins des portes et des fenêtres, les escaliers et autres endroits difficiles à atteindre.

Fig. D-6

Remarque :

- Si un pièce rotative se coince, l'aspirateur est susceptible de s'éteindre automatiquement. Retirez tout objet coincé dans l'aspirateur, puis poursuivez votre utilisation.
- Quand le moteur surchauffe en fonctionnement, l'aspirateur s'éteint automatiquement. Attendez que la température de la batterie revienne à un niveau normal, puis poursuivez votre utilisation.

Entretien et maintenance

Précautions concernant la maintenance

- Utilisez toujours des pièces d'origine, faute de quoi la garantie pourrait être annulée.
- Utilisez toujours des pièces d'origine, faute de quoi la garantie pourrait être annulée.
- En cas d'obstruction du filtre ou du bec, l'aspirateur s'arrête de fonctionner peu après avoir été mis sous tension. Nettoyez le filtre ou le bec afin de rétablir son fonctionnement.
- Avant de nettoyer le bac à poussière, veuillez vérifier que la fiche est débranchée et maintenez le bouton d'alimentation de l'aspirateur en position d'arrêt.
- Si l'aspirateur n'est pas utilisé pendant une période prolongée, rechargez-le complètement, débranchez le cordon d'alimentation, retirez la batterie et rangez-le dans un endroit frais et peu humide, à l'abri de la lumière directe du soleil. Pour éviter une décharge excessive de la batterie, rechargez-la au moins une fois tous les trois mois.

Nettoyage de l'aspirateur Vacuum Cleaner

Essuyez l'aspirateur avec un chiffon doux et sec.

Nettoyage du compartiment à poussière, du préfiltre et de l'ensemble cyclone

1. Appuyez sur le bouton d'ouverture du bac à poussière et retirez-le de l'aspirateur.
2. Retirez d'abord le préfiltre, puis tournez le système cyclonique pour le soulever.
3. Rincez le système cyclonique, le préfiltre et le bac à poussière jusqu'à ce qu'ils soient propres. Après le lavage, sécher à l'air libre pendant au moins 24 heures.

Fig. E-1-Fig. E-3

Remarque :

- Nettoyez le bac à poussière au besoin.
- Il est recommandé de nettoyer le système cyclonique et le préfiltre au moins une fois tous les 3 à 4 mois.

Installation du compartiment à poussière, du préfiltre et de l'ensemble cyclone

1. Installez l'ensemble cyclonique et le préfiltre dans le bac à poussière.
2. Inclinez légèrement le compartiment à poussière pour que son encoche soit alignée avec le clip sur l'aspirateur. Enfoncez délicatement le compartiment à poussière jusqu'à entendre un dé clic.

Fig. E-4-Fig. E-5

Nettoyage du filtre

Il est recommandé de nettoyer le filtre tous les 4 à 6 mois.

1. Retirez le compartiment à poussière comme illustré sur le schéma.
2. Retirez le filtre de l'aspirateur en tirant dessus, dans la direction indiquée sur le schéma.
3. Rincez le filtre en le faisant tourner 360°. Tapotez légèrement le filtre à plusieurs reprises pour éliminer les débris qui y sont coincés.
4. Laissez le filtre sécher complètement pendant au moins 24 heures.

Fig. E-6-Fig. E-9

Remarque :

- Pour nettoyer le filtre, n'utilisez que de l'eau claire. N'utilisez pas de détergents.
- N'essayez pas de nettoyer le filtre avec une brosse ou vos doigts.

Installation du filtre

1. Insérez le filtre dans l'aspirateur et enfoncez-le délicatement, comme indiqué sur le schéma.
2. Réinstallez le compartiment à poussière.

Fig. E-10-Fig. E-11

Remplacement du filtre de sortie d'air

1. Retirez le filtre de sortie d'air comme indiqué sur la figure.
2. Installez-en un nouveau.

Fig. E-12-Fig. E-13

Remarque :

- Le filtre de sortie d'air n'est pas lavable.
- Il est recommandé de remplacer le filtre tous les 4 à 6 mois.

Remplacez le sac de collecte de poussière

Lorsque l'indicateur d'état du dépoussiérage clignote en orange, cela signifie que le sac de dépoussiérage a atteint sa capacité et qu'il doit être remplacé par un nouveau sac.

1. Retirez le couvercle de la station de dépoussiérage.
2. Retirez le sac de collecte de poussière et jetez-le.

Remarque : Tirer vers l'extérieur la poignée du sac de collecte de poussière pour fermer hermétiquement le sac et empêcher la poussière et les débris de tomber accidentellement.

3. Lorsque le filtre est sale, rincez-le à l'eau. Ensuite, placez-le dans un endroit bien ventilé pendant au moins 24 heures pour vous assurer qu'il est bien sec.
4. Installez un nouveau sac de collecte de poussière en insérant la poignée du sac dans la fente.
5. Remplacez le couvercle de la station de dépoussiérage.

Fig. E-14-Fig. E-18

Remarque : Il est recommandé de remplacer le sac de collecte des poussières tous les deux mois. Si le sac de collecte des poussières atteint sa capacité, l'indicateur clignote en orange.

Remplacement du bloc de batteries

L'aspirateur contient une batterie lithium-ion rechargeable disposant d'un nombre limité de cycles de charge. Après un usage prolongé, la batterie est susceptible de se décharger rapidement. Si c'est le cas, cela signifie que la batterie est arrivée au bout de sa durée de vie et doit être remplacée.

1. Appuyez sur le bouton de déverrouillage de la batterie et faites-la glisser vers la droite pour la retirer, comme illustré sur le schéma.
2. Installez la nouvelle batterie.

Fig. E-19

Nettoyage de la brosse multi-surfaces

1. Tournez le verrou dans le sens inverse des aiguilles d'une montre jusqu'à ce qu'il s'arrête, puis retirez le rouleau de la brosse à rouleau.
2. Utilisez des ciseaux pour couper les poils et les fibres qui restent coincés sur le rouleau. Essuyez la poussière de l'encoche et du couvercle transparent avec un chiffon sec ou une serviette en papier. Séchez-les soigneusement avant de les utiliser.
3. Lorsqu'il est sale, rincez le rouleau à l'eau claire jusqu'à ce qu'elle soit propre.
4. Mettez le rouleau en position verticale pendant au moins 24 heures jusqu'à ce qu'elle soit complètement sec.

Fig. E-20-Fig. E-23

Nettoyage de la mini-brosse motorisée

1. Utilisez une pièce de monnaie pour faire tourner le verrou dans le sens inverse des aiguilles d'une montre jusqu'à entendre un déclic.
2. Après avoir déverrouillé la mini-brosse motorisée, retirez le rouleau, puis rincez-la et nettoyez-la.
3. Placez le rouleau en position verticale dans un endroit bien ventilé pendant au moins 24 heures, jusqu'à ce qu'elle soit complètement sèche.
4. Une fois que le rouleau est sèche, réinstallez-la en suivant les étapes de démontage en sens inverse.

Fig. E-24-Fig. E-27

En cas de dysfonctionnement de l'aspirateur, consultez le tableau ci-dessous.

Erreur	Cause possible	Solution
L'aspirateur ne fonctionne pas.	La batterie est déchargée ou faible.	Rechargez complètement l'aspirateur avant de reprendre votre utilisation.
	Le mode de protection contre la surchauffe se déclenche suite à une obstruction.	Attendez que l'aspirateur refroidisse, puis réactivez-le.
	L'orifice d'aspiration ou le conduit d'air est obstrué.	Retirez les débris susceptibles de bloquer l'orifice d'aspiration ou le conduit d'air.
La puissance d'aspiration est affaiblie.	Le compartiment à poussière est rempli et/ou le filtre est obstrué.	Videz le compartiment à poussière et nettoyez l'ensemble filtre.
	L'accessoire est obstrué.	Retirez les débris susceptibles d'obstruer l'accessoire.
Le moteur fait un bruit anormal.	L'orifice d'aspiration principal ou la tige de rallonge est obstrué(e).	Retirez les débris susceptibles de bloquer le suceur principal ou la tige de rallonge.
L'indicateur de l'état de la batterie est rouge fixe lorsque l'aspirateur est en chargement.	La batterie est endommagée.	Contactez le service après-vente pour assurer la maintenance (+1 (866) 977-5177/support.us@dreame.tech).
L'indicateur de l'état de la batterie clignote en rouge après la mise en marche de l'aspirateur.	La température du moteur est trop élevée. / Le rouleau brosse est obstrué. / Le conduit d'air est bouché.	Vérifiez ces pièces l'une après l'autre.
Le voyant de batterie ne s'allume pas lorsque l'aspirateur est en charge.	L'aspirateur n'est pas correctement placé sur la station de dépoussiérage.	Assurez-vous que les contacts de recharge de l'aspirateur sont alignés avec ceux de la station de dépoussiérage.
	La batterie est complètement chargée et l'appareil est passé en mode veille.	L'aspirateur peut être utilisé normalement.
	Le problème persiste après avoir écarté les deux possibilités ci-dessus.	Veuillez contacter le service après-vente pour l'entretien.
La batterie charge lentement.	La température de la batterie est trop basse ou trop élevée.	Attendez que la température de la batterie revienne à un niveau normal, puis reprenez votre session de nettoyage.
Les voyants DEL de la brosse multi-surfaces ne fonctionnent pas.	La lampe à LED est endommagée.	Contactez le service après-vente qui vous aidera.
L'indicateur d'état du dépoussiérage est orange fixe.	Le sac de collecte des poussières n'est pas installé ou n'est pas installé correctement.	Avant de commencer le dépoussiérage, vérifiez que le sac de collecte des poussières a été installé et mis en place.
Le voyant d'état du dépoussiérage clignote en orange.	Le sac de collecte des poussières a atteint sa capacité ou le conduit d'air est obstrué.	Remplacez le sac de collecte des poussières ou nettoyez le conduit d'air. Appuyez ensuite sur le bouton de dépoussiérage et maintenez-le enfoncé pendant 3 secondes pour résoudre le problème.

Spécifications

Aspirateur			
Modèle	VPV42C	Temps de Charge	Environ 3,5 heures
Puissance mesurée	481 W	Tension mesuré	25,2 V ===
Brosse Multi-surfaces			
Modèle	VMBU		
Puissance mesurée	40 W	Tension mesuré	25,2 V ===
Mini-brosse motorisée			
Modèle	VMMU		
Puissance mesurée	20 W	Tension mesuré	25,2V ===
Station de dépoussiérage			
Modèle	VCB1		
Entrée Nominale	120 V ~ 60 Hz ,8 A	Sortie Nominale	30,8 V === 0,99 A
Batterie rechargeable lithium-ion			
Modèle	V2308-7S1P-BCB	Tension nominale	25,2 V ===
Capacité de fonctionnement	2700 mAh	Capacité nominale	2900 mAh
Énergie	68,04 Wh		

La batterie lithium-ion contient des substances dangereuses pour l'environnement. Avant de mettre l'aspirateur au rebut, retirez d'abord la batterie pour la jeter ou la recycler conformément à la législation et à la réglementation locales du pays ou de la région dans lequel ou laquelle il est utilisé.

L'appareil doit être débranché de l'alimentation électrique lors du retrait de la batterie. Tenez les batteries hors de portée des enfants. Ne mettez jamais les batteries dans la bouche. En cas d'ingestion, contactez votre médecin ou le centre antipoison local.

Dans des conditions abusives, ne touchez jamais la batterie d'où le liquide pourrait être éjecté. En cas de contact accidentel, rincez à l'eau. Si le liquide entre en contact avec les yeux, consultez immédiatement un médecin. Le liquide éjecté de la batterie peut provoquer des irritations ou des brûlures.

Instrucciones de seguridad importantes

INSTRUCCIONES IMPORTANTES DE SEGURIDAD

Cuando utiliza un aparato eléctrico, siempre debe seguir las precauciones básicas, incluidas las siguientes:

LEA TODAS LAS INSTRUCCIONES ANTES DE USAR (ESTE APARATO). El incumplimiento de las advertencias e instrucciones puede provocar descarga eléctrica, incendio y/o lesiones graves.

ADVERTENCIA - Para reducir el riesgo de incendio, descarga eléctrica o lesiones:

No lo utilice al aire libre o sobre superficies mojadas.

No permita que se utilice como un juguete. Debe prestar mucha atención cuando se utiliza cerca de niños, mascotas o plantas.

Use únicamente como se describe en este manual. Sólo utilice los accesorios recomendados por el fabricante.

No lo utilice con el cable o enchufe dañado. Si el aparato no funciona correctamente, se ha caído, dañado, dejado al aire libre o sumergido en agua, remítalo a un centro de servicio.

No tire ni transporte agarrando el cable, no use el cable como asa, no cierre puertas encima del cable ni pase el cable por bordes o esquinas afiladas. No pase el aparato por encima del cable. Mantenga el cable alejado de superficies calientes.

No desenchufe tirando del cable. Para desenchufar, agarre el enchufe, no el cable.

No manipule el cargador, el enchufe del cargador y los terminales del cargador con las manos mojadas.

No coloque ningún objeto en las aberturas. No lo utilice si tiene alguna abertura bloqueada; manténgalo libre de polvo, pelusas, cabello y cualquier material que pueda reducir el flujo de aire.

Mantenga el cabello, la ropa holgada, los dedos y todas las partes del cuerpo alejados de las aberturas y las piezas móviles.

Tenga mucho cuidado cuando limpie escaleras. No lo use para limpiar líquidos inflamables o combustibles, como gasolina, ni lo use en zonas donde puedan estar presentes.

No limpie nada que se esté quemando o humeando, como cigarrillos, cerillas o cenizas calientes.

No lo use sin el depósito de polvo, bolsa de polvo y/o los filtros colocados.

Evite el encendido involuntario. Asegúrese de que el interruptor esté

apagado antes de conectarlo a la batería, levantarlo o transportarlo. Transportar el aparato con el dedo apoyado en el interruptor o energizar el aparato con el interruptor encendido puede causar accidentes.

Desconecte la batería del aparato antes de realizar cualquier ajuste, cambiar accesorios o almacenar el aparato. Estas medidas preventivas de seguridad reducen el riesgo de encender por accidente el aparato.

Recargue sólo con el cargador especificado por el fabricante. Un cargador adecuado para un tipo de batería puede provocar riesgo de incendio si se utiliza en otra batería.

Use sus aparatos sólo con las baterías específicamente indicadas. El uso de cualquier otra batería puede provocar riesgo de lesiones e incendio.

Cuando la batería no esté en uso, manténgala alejada de objetos metálicos, como clips de papel, monedas, llaves, clavos, tornillos u otros objetos metálicos pequeños que pueden provocar la conexión de los terminales. Un cortocircuito en los terminales de la batería puede provocar quemaduras o incendios.

Bajo condiciones abusivas, puede haber fugas de líquido en la batería; evite el contacto. Si ocurre contacto accidental, enjuague con agua. Si el líquido entra en contacto con los ojos, busque atención médica. El líquido derramado de la batería puede provocar irritación o quemaduras.

No utilice una batería o un aparato dañado o modificado. Las baterías dañadas o modificadas pueden tener un comportamiento impredecible que resulte en fuego, explosión o lesiones.

No exponga una batería o un aparato al fuego ni a temperaturas excesivas. La exposición al fuego o una temperatura superior a 130°C puede provocar explosiones.

Siga todas las instrucciones de carga y no cargue la batería o el aparato fuera del rango de temperatura indicado en las instrucciones.

La carga incorrecta o a temperaturas fuera del rango indicado puede dañar la batería y aumentar el riesgo de incendio.

Remita el servicio a un técnico calificado que utilice únicamente idénticas piezas de repuesto. Esto asegurará que se mantenga la seguridad del producto.

No modifique ni intente reparar el aparato o la batería, excepto de la forma indicada en las instrucciones de uso y cuidado.

No utilización ni almacenamiento en ambientes muy calientes o fríos (por debajo de 0°C / 32°F o por encima de 40°C / 104°F). Cargue la aspiradora inalámbrica a temperatura de entre 0°C/32°F y 40°C/104°F.

Apague este aparato siempre antes de conectar o desconectar la boquilla motorizada.

Apague todos los controles antes de desconectarlos.

Desenchúfelo del tomacorriente cuando no esté en uso y antes de conectar el cubo de eliminación de polvo a la base, limpiarlo o realizarle mantenimiento.

La batería es reemplazable. Utilice únicamente el tipo de batería aprobado (modelo V2308-7S1P-BCB). El tipo de batería de litio adecuado para cargar el cubo de eliminación de polvo es el tipo de batería aprobado. De lo contrario, la batería de iones de litio podría incendiarse.

GUARDE ESTAS INSTRUCCIONES

Solo para uso doméstico.

Para reducir el riesgo de descarga eléctrica, el cubo de eliminación de polvo del aparato tiene un enchufe polarizado (una clavija es más ancha que la otra). Este enchufe encajará en un tomacorriente polarizado de una sola manera. Si el enchufe no encaja completamente en el tomacorriente, inviértalo. Si aún no encaja, comuníquese con un electricista calificado para instalar el tomacorriente adecuado. No cambie el enchufe de ninguna manera.

Precaución:

Este dispositivo cumple con la Parte 15 de las Normas de la FCC / Innovación, Ciencia y Desarrollo Económico RSS(s) exentos de licencia de Canadá. El funcionamiento está sujeto a las siguientes dos condiciones:

- (1) este dispositivo no puede causar interferencias dañinas.
- (2) este dispositivo debe aceptar cualquier interferencia recibida, incluida la interferencia que pueda provocar un funcionamiento no deseado.

Cambios o modificaciones no aprobados expresamente por la parte responsable del cumplimiento podrían anular la autoridad del usuario para operar el equipo.

Este equipo ha sido probado y se determinó que cumple con los límites para un dispositivo digital de Clase B, de conformidad con la parte 15 de las Normas de la FCC. Estos límites están diseñados para brindar una protección razonable contra interferencias dañinas en una instalación residencial. Este equipo genera usos y puede irradiar energía de radiofrecuencia y, si no se instala y utiliza de acuerdo con las instrucciones, puede causar interferencias dañinas en las comunicaciones por radio. Sin embargo, no hay garantía de que no se produzcan interferencias en una instalación en particular. Si este equipo causa interferencias dañinas en la recepción de radio o televisión, lo que se puede determinar con apagar y encender el equipo, se recomienda que el usuario intente corregir la interferencia mediante una o más de las siguientes acciones.

ES



Lea el manual del operador





Sólo para uso en interiores



lapso de tiempo miniatura fusible

donde T15A es el símbolo de la característica de tiempo/corriente

	Corriente continua
	Corriente alterna

Descripción del producto

Lista de accesorios

1. Cepillo Multisuperficie
2. Cubo de eliminación de polvo
3. Base
4. Varilla extensible
5. Herramienta de combinación
6. Bolsa colectoradora de polvo (x1 preinstalado)
7. Soporte para accesorios
8. Bolsa de accesorios (Tornillo x 1 + Llave hexagonal x 1)

Fig. A-1

Nombre del componente

1. Indicador de estado de nivel de succión
Turbo: Estándar: Eco·
2. ☉ Botón de nivel de succión
3. Compartimento de polvo
4. Orificio de ventilación del depósito de polvo
5. Botón de liberación de recipiente de polvo
6. Cepillo Multisuperficie
7. ⏻ Botón de encendido (Presione para encender/Suelte para apagar)
8. Indicador de estado de la batería
9. Contacto antiestático
10. Interruptor de liberación de la batería
11. Contactos de carga
12. Interruptor de liberación de la barra
13. Varilla extensible
14. Botón de Liberación del Cepillo

Fig. A-2

Nota: La imagen es solo de referencia, el objeto real no necesariamente se relaciona con la imagen.

Cubo de eliminación de polvo

1. Botón de colección de polvo Indicador de estado de la colección de polvo
2. Bolsa colectoradora de polvo
3. Cubierta magnética
4. Orificio de ventilación del cubo de eliminación de polvo
5. Contactos de carga
6. Filtro del gabinete de polvo
7. Filtro de salida de aire
8. Cable de alimentación
 - Verde sólido
El cubo de eliminación de polvo está en modo de espera.
 - Verde parpadeante
El cubo de eliminación de polvo está preparado para recoger el polvo.
 - Naranja sólido
La bolsa colectoradora de polvo desinstalada o mal instalada.
 - Naranja parpadeante
La bolsa colectoradora de polvo alcanza su capacidad / el conducto de aire está bloqueado

Fig. A-3

Montaje

Instalación del cubo de eliminación de polvo

Monte el cubo de eliminación de polvo en la base y utilice la llave hexagonal de la bolsa de accesorios para apretar el tornillo.

Fig. B-1

Instalación de accesorios

≡ Insértelo hasta que encaje en su sitio

Fig. B-2

Nota:

- No se recomienda utilizar el minicepillo motorizado con la alargadera.
- Por favor, instale los accesorios en función de las necesidades reales de limpieza.

Carga

Carga con el cubo de eliminación de polvo

Nota:

- Después de conectar el enchufe a la toma de corriente, encienda el interruptor en la parte posterior del cubo de eliminación de polvo (1: ENCENDIDO/0: APAGADO) para comenzar a cargar.
- Cargue completamente la aspiradora antes de usarla por primera vez.
- La aspiradora no puede usarse mientras se está cargando. Esto tardará alrededor de 3,5 horas.
- Si se aspira en modo turbo durante un período prolongado, la batería se calentará. Se recomienda dejar que el aspirador se enfríe durante 30 minutos antes de cargarlo de nuevo.
- Cuando la aspiradora no está en uso, puede colocarse en el cubo de eliminación de polvo.
- La salida del cable de alimentación se puede ajustar según las necesidades de los usuarios.

Fig. C-1

Indicador de estado de la batería

Carga

○ Totalmente cargada

☀ Carga

● Modo de espera

Desarga

○ nivel de batería \geq 10%

☀ nivel de batería $<$ 10%

○ Blanco sólido

☀ Blanco parpadeante

● Apagado

Fig. C-2

Modo de uso

Método de trabajo

Presione y mantenga presionado el botón de encendido para encender el aparato y suelte el botón para detenerlo inmediatamente.

Fig. D-1

Cambio del nivel de succión

Presione brevemente para cambiar entre modos eco, medio y turbo.

Fig. D-2

Inicio de la colección de polvo

1. Coloque el cubo de eliminación de polvo cerca de una toma de corriente y enchufe el conector.
2. Coloque la aspiradora en el cubo de eliminación de polvo (el orificio de ventilación del depósito de polvo debe estar alineado con el del cubo de eliminación de polvo) hasta que escuche un clic.
3. Encienda el interruptor en la parte posterior del cubo de eliminación de polvo y presione el botón de colección de polvo.

Fig. D-3

Nota:

- El proceso de colección de polvo no puede detenerse pulsando el botón de colección de polvo.
- Si hay mucha basura en el depósito de polvo, realice el proceso de recolección de polvo varias veces para lograr mejores resultados de limpieza.
- Si la bolsa colectora de polvo alcanza su capacidad o el conducto de aire se bloquea durante el proceso de colección de polvo, el cubo de eliminación de polvo dejará de funcionar una vez que se complete el proceso y no podrá volver a recoger polvo.

Uso de los diferentes accesorios

Cepillo Multisuperficie

Nota:

- El cepillo multisuperficie se puede acoplar directamente al aspirador.
- Cuando el aparato se arranca, las luces en frente del cepillo del rodillo se encenderán automáticamente, lo cual es conveniente para su uso.
- Al usar sobre tapetes de juego para bebés, alfombras, o para aspirar granos de café, palomitas de maíz y otros granulados, encienda el interruptor en el cepillo.
- Al aspirar sobre losas, pisos de madera u otras superficies duras, apague el interruptor en el cepillo.

Fig. D-4

Mini-Cepillo Motorizado

Para aspirar la suciedad, los pelos de mascota y otros restos resistentes de los sofás, la ropa de cama y otras superficies de tela.

Nota: No se recomienda pasar la aspiradora por superficies que puedan engancharse, como la seda.

Fig. D-5

Herramienta de combinación

Adecuada para aspirar en grietas, esquinas de puertas y ventanas, escaleras y otros lugares de difícil acceso.

Fig. D-6

Nota:

- Si alguna pieza giratoria se queda atascada, la aspiradora podría apagarse de forma automática. Extraiga los objetos extraños que se hayan quedado atascados y reanude el uso.
- Si el motor funciona a temperaturas demasiado elevadas, la aspiradora se apagará automáticamente. Espere a que la temperatura de la batería vuelva a ser normal y, a continuación, reanude el uso.

Cuidado y mantenimiento

Advertencia

- Utilice siempre piezas originales para evitar que se anule la garantía.
- Si el filtro o la boquilla se obstruye, el aspirador dejará de funcionar poco después de encenderse. Para restaurar la funcionalidad, limpie el filtro o la boquilla.
- Antes de limpiar el depósito de polvo, desconecte el enchufe y mantenga el botón de encendido de la aspiradora en la posición de apagado.
- Si la aspiradora no se usa durante un largo período de tiempo, cárguela completamente, desconecte el cable de alimentación, retire la batería y guárdela en un ambiente fresco de baja humedad, retirado de la luz solar directa. Para evitar la descarga profunda de la batería, recárguela al menos una vez cada tres meses.

Limpieza de la aspiradora

Limpie la aspiradora con un paño seco y suave.

Limpieza del compartimento para el polvo, el prefiltro y el separador ciclónico

1. Presione el botón de liberación del recipiente de polvo y retírelode la aspiradora.
2. Retire primero el prefiltro y luego gire el sistema ciclónico para sacarlo.
3. Enjuague el conjunto ciclónico, el prefiltro y el recipiente de polvo hasta que queden limpios. Tras el lavado, seque al aire libre durante al menos 24 horas.

Fig. E-1-Fig. E-3

Nota:

- Limpie el depósito de polvo según sea necesario.
- Se recomienda limpiar el conjunto ciclónico y el prefiltro al menos una vez cada 3 a 4 meses.

Instalación del compartimento para el polvo, el prefiltro y el separador ciclónico

1. Instale el conjunto ciclónico y el prefiltro dentro del recipiente de polvo.
2. Inclíne ligeramente el compartimento de polvo para que sus ranuras queden alineadas con la pestaña de la aspiradora. Luego presione suavemente sobre el compartimento de polvo hasta que encaje en su sitio.

Fig. E-4-Fig. E-5

Limpieza del filtro

Se recomienda limpiar el filtro una vez cada 4 o 6 meses.

1. Se recomienda limpiar el filtro una vez cada 4 o 6 meses.
2. Extraiga el compartimento del polvo como se indica en la imagen.
3. Extraiga el filtro de la aspiradora tirando hacia abajo, en la dirección que se muestra en la imagen.
4. Enjuague el filtro girándolo 360°. Golpee suavemente el filtro varias veces para remover cualquier residuo atrapado en él.

Fig. E-6-Fig. E-9

Nota:

- Utilice únicamente agua limpia para limpiar el filtro. No utilice detergentes.
- No intente limpiar el filtro con un cepillo ni con los dedos.
- Deje secar el filtro durante, al menos, 24 horas.

Instalación del filtro

1. Inserte el filtro en la aspiradora y presione suavemente hacia abajo, como se indica en la imagen.
2. Vuelva a instalar el compartimento de polvo.

Fig. E-10-Fig. E-11

Reemplazo del filtro de salida de aire

1. Retire el filtro de salida de aire como se muestra en la figura.
2. Instale uno nuevo.

Fig. E-12-Fig. E-13

Nota:

- El filtro de salida de aire no es lavable.
- Se recomienda reemplazar el filtro una vez cada 4 a 6 meses.

Sustituya la bolsa colectora de polvo

Cuando el indicador de estado de colección de polvo parpadea en naranja, significa que la bolsa colectora de polvo ha alcanzado su capacidad y debe sustituirse por una nueva.

1. Retire la cubierta del cubo de eliminación de polvo.
2. Extraiga la bolsa colectora de polvo y deséchela.

Nota: Tirar hacia afuera del mango sellará la bolsa colectora de polvo para evitar que el polvo y los residuos se salgan accidentalmente.

3. Cuando el filtro esté sucio, enjuáguelo con agua. A continuación, colóquelo en un lugar bien ventilado durante al menos 24 horas para asegurarte de que esté bien seco.
4. Instale una nueva bolsa colectora de polvo insertando el asa de la bolsa en la ranura de la tarjeta.
5. Vuelva a instalar la cubierta del cubo de eliminación de polvo.

Fig. E-14-Fig. E-18

Nota: Se recomienda sustituir la bolsa colectora de polvo cada dos meses. Si la bolsa colectora de polvo alcanza su capacidad, el indicador parpadea en naranja.

Reemplazo del paquete de baterías

La aspiradora contiene un pack de batería de ion de litio recargable y extraíble que cuenta con un número limitado de ciclos de recarga. Tras un uso prolongado, el pack de batería dejará de poder realizar una carga. Si esto ocurre, significará que el pack de batería ha alcanzado el fin de su vida útil y deberá sustituirlo.

1. Pulse el botón de liberación del pack de batería y deslícelo hacia la derecha para sacarlo, como se muestra en la imagen.
2. Instale el nuevo pack de batería.

Fig. E-19

Limpiar el Cepillo Multisuperficie

1. Gire el bloqueo en sentido contrario a las agujas del reloj hasta que se detenga, luego quite el rodillo.
2. Utilice unas tijeras para cortar los pelos y las fibras que se atascan en el rodillo. Elimine el polvo de la muesca y la tapa transparente con un paño seco o una toalla de papel. Seque bien antes de utilizar.
3. Cuando está sucio, enjuague el rodillo con agua limpia hasta que esté limpio.
4. Coloque el rodillo en posición vertical durante al menos 24 horas hasta que esté completamente seco.

Fig. E-20-Fig. E-23

Limpiar el Mini Cepillo Motorizado

1. Utilice una moneda para girar el cierre en sentido contrario a las agujas del reloj, hasta que oiga un clic.
2. Tras desbloquear el minicepillo motorizado, quite el rodillo, luego enjuáguelo y límpielo.
3. Coloque el rodillo en posición vertical en un área bien ventilada durante al menos 24 horas hasta que esté completamente seco.
4. Una vez que el rodillo esté seco, vuelva a instalarlo siguiendo los pasos de desmontaje al revés.

Fig. E-24-Fig. E-27

Preguntas frecuentes

Si el aspirador no funciona correctamente, consulte la siguiente tabla de posibles soluciones.

Averías comunes	Posible causa	Solución
La aspiradora no funciona.	No tiene batería o le queda poca.	Cargue completamente la aspiradora y reanude el uso.
	Activa el modo de protección contra sobrecalentamiento debido a una obstrucción.	Espere hasta que el aspirador se enfríe, luego reactívelo.
	La abertura de succión o el conducto de aire está bloqueado.	Limpie cualquier obstrucción de la abertura de succión o del conducto de aire.
La potencia de succión disminuye.	El compartimento de polvo está lleno y/ o el filtro está obstruido.	Vacíe el depósito del polvo y limpie el conjunto del filtro.
	El accesorio ensamblado está bloqueada.	Despeje cualquier bloqueo en el accesorio ensamblado.
El motor hace un ruido raro.	La abertura de succión principal o la varilla extensible está bloqueada.	Limpie cualquier obstrucción en la abertura de succión principal o en la Varilla extensible.
El indicador de batería es de color rojo solido cuando se está cargando la aspiradora.	El pack de batería está dañado.	Póngase en contacto con el servicio posventa para concertar una cita de mantenimiento (+1 (866) 977-5177/support.us@dreame.tech).
El indicador de batería es de color rojo parpadeante después de encender la aspiradora.	La temperatura del motor es demasiado alta. / El rodillo del cepillo está trabado. / El ducto de aire está obstruido.	Comprobar estas piezas de forma sucesiva.
El indicador de batería no se enciende durante la carga.	La aspiradora no está bien colocada en el cubo de eliminación de polvo.	Asegúrese de que los contactos de carga de la aspiradora estén alineados con los del cubo de eliminación de polvo.
	La batería está totalmente cargada y cambió al modo de suspensión.	Puede utilizar la aspiradora como de costumbre.
	El problema persiste después de descartar las dos posibilidades anteriores.	Póngase en contacto con el departamento de posventa para el mantenimiento.
La batería se carga lentamente.	La temperatura de la batería es demasiado alta o baja.	Espere a que la temperatura de la batería se normalice y reanude el uso.
Las luces LED en el cepillo multisuperficies no funcionan.	Las luces LED están dañadas.	Póngase en contacto con el servicio posventa para obtener ayuda.
El indicador de estado de la colección de polvo está naranja sólido.	La bolsa colectora de polvo está desinstalada o mal instalada.	Antes de que comience la colección de polvo, confirme que la bolsa colectora de polvo se haya instalado en su lugar.
El indicador de estado de la colección de polvo parpadea en naranja.	La bolsa colectora de polvo alcanza su capacidad o el conducto de aire está bloqueado.	Reemplace una nueva bolsa colectora de polvo o limpie el conducto de aire. Luego, mantenga presionado el botón de colección de polvo durante 3 segundos para solucionar el problema.

Especificaciones

Aspiradora			
Modelo	VPV42C	Tiempo de carga	Alrededor de 3,5 horas
Potencia nominal	481 W	Tensión nominal	25,2 V ===
Cepillo Multisuperficie			
Modelo	VMBU		
Potencia nominal	40 W	Tensión nominal	25,2 V ===
Mini-Cepillo Motorizado			
Modelo	VMMU		
Potencia nominal	20 W	Tensión nominal	25,2 V ===
Centro de eliminación de polvo			
Modelo	VCB1		
Entrada nominal	120 V ~ 60 Hz ,8 A	Salida nominal	30,8 V === 0,99 A
Paquete de batería de ion de litio recargable			
Modelo	V2308-7S1P-BCB	Tensión nominal	25,2 V ===
Capacidad real	2700 mAh	Capacidad nominal	2900 mAh
Energía	68,04 Wh		

El pack de batería de ion de litio contiene sustancias perjudiciales para el medio ambiente. Antes de desechar la aspiradora, quite el pack de batería y deséchelo o recíclelo siguiendo las leyes y reglamentos locales del país o región en el que se use.

El aparato debe desconectarse de la red eléctrica cuando se retira la batería. Mantenga las baterías lejos del alcance de los niños. Nunca ponga las baterías en la boca. Si las tragan, contacte a su médico o a la organización local de control de envenenamiento.

Bajo condiciones de abuso, nunca establezca contacto con la batería por donde pueda estar saliendo el líquido. Si ocurre el contacto de forma accidental, enjuague con agua. Si el líquido entra en contacto con los ojos, busque ayuda médica de inmediato. El líquido expulsado de la batería puede causar irritación o quemaduras.