

Dreame L60 Ultra

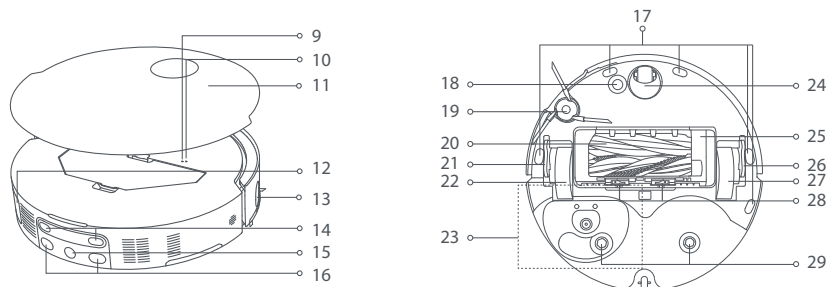
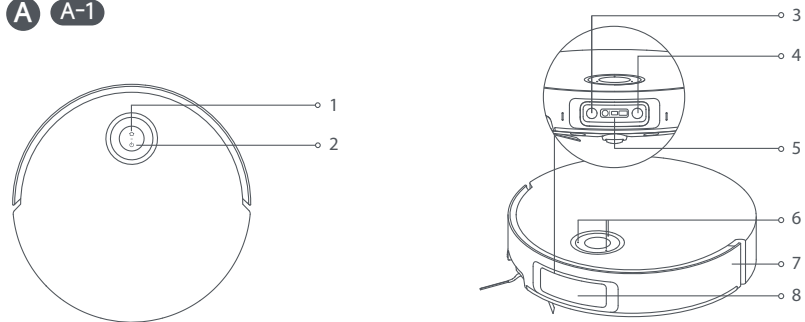
Robot Vacuum and Mop with
Auto-Empty and Mop Self-Cleaning
User Manual

DREAME

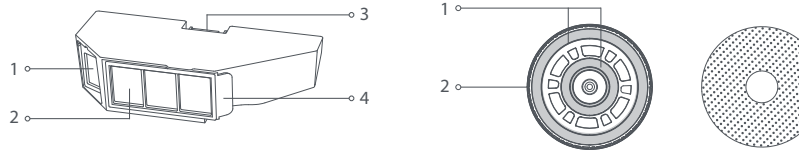
The illustrations in this manual are for reference only. Please refer to the actual product.



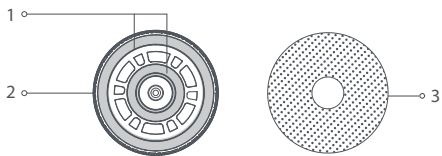
A A-1



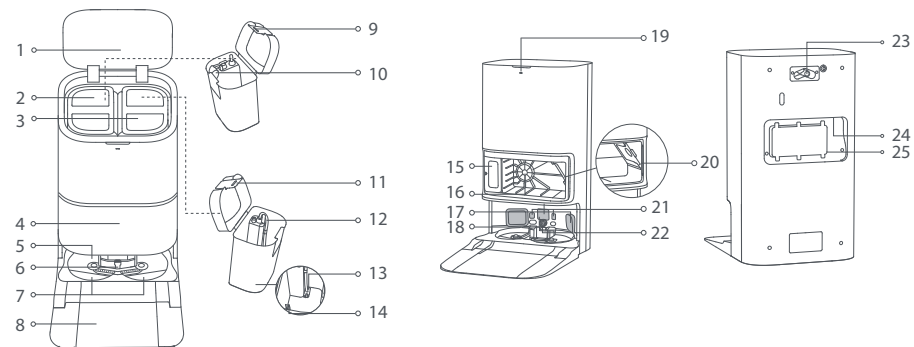
A-2



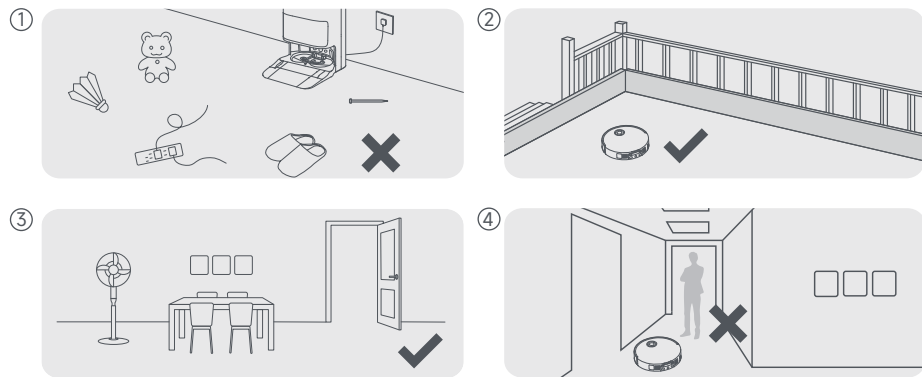
A-3



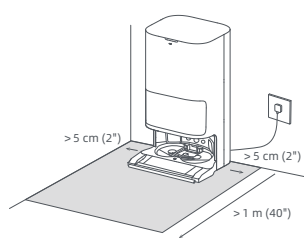
A-4



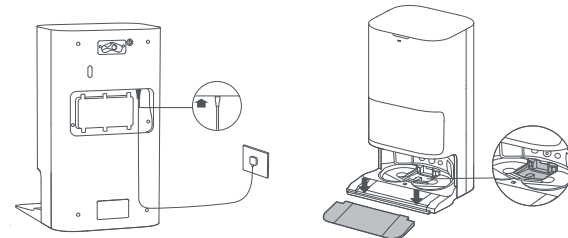
B



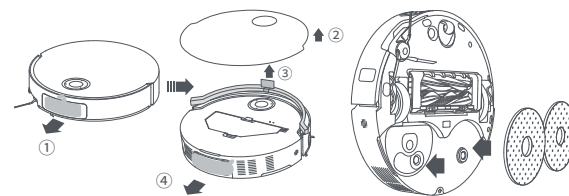
C C-1



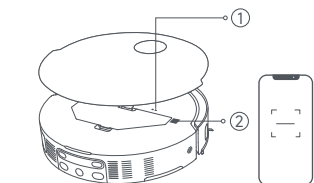
C-2



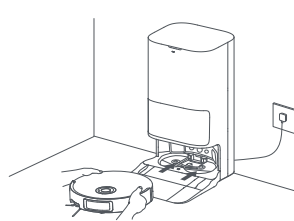
C-3



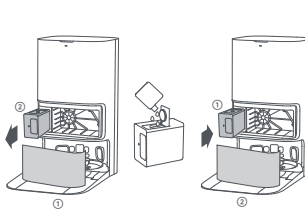
C-4



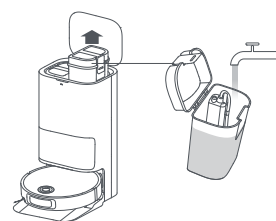
C-5

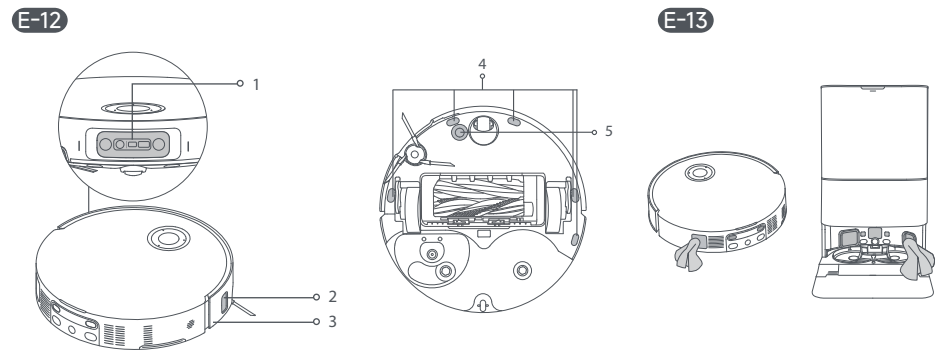
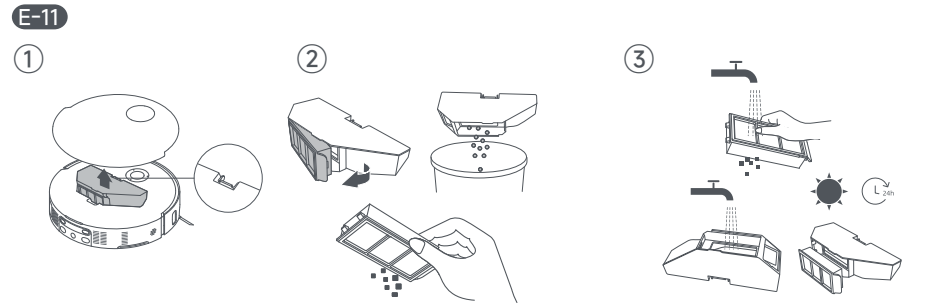
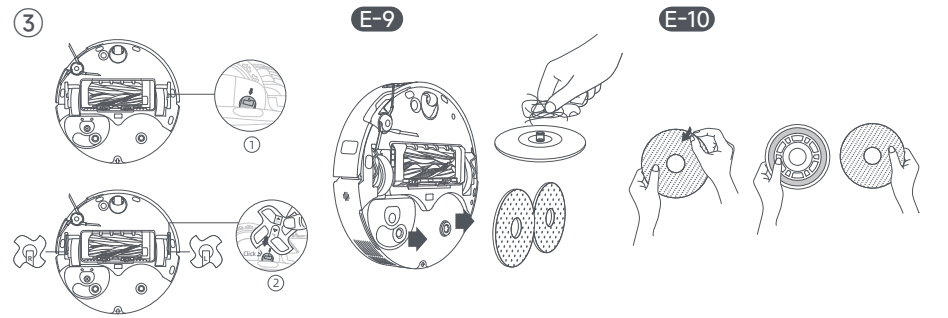
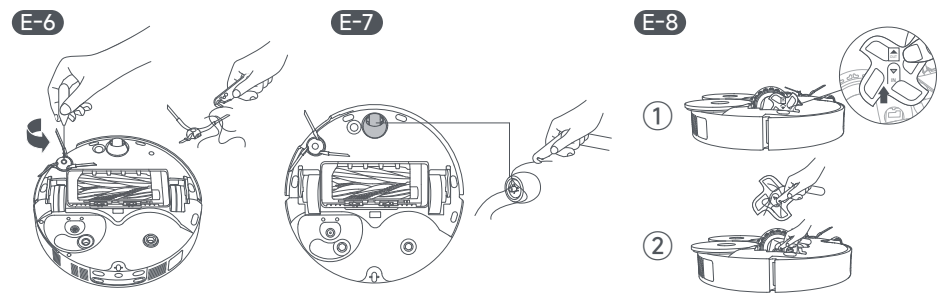
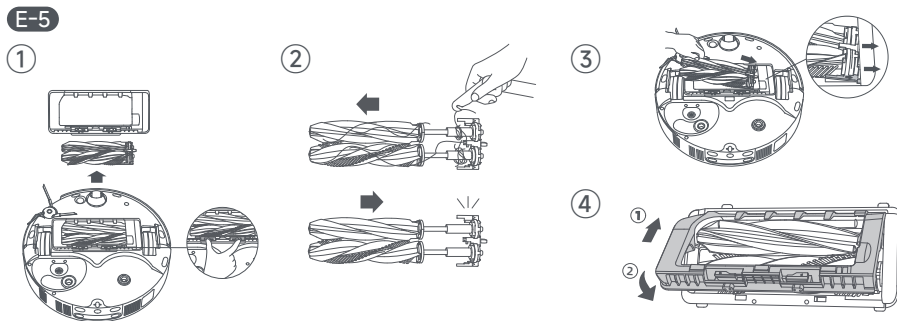
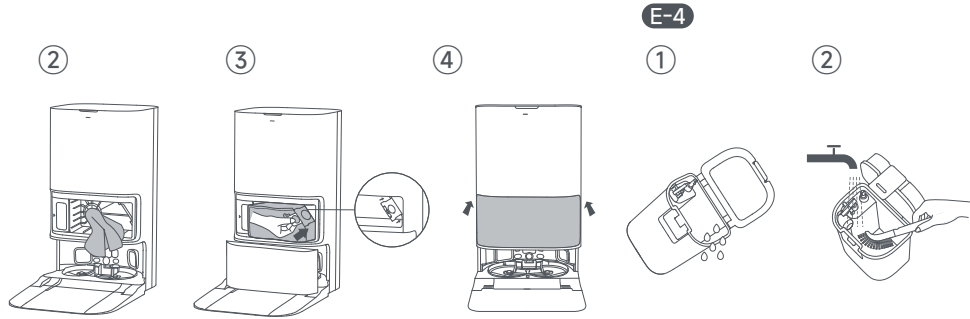
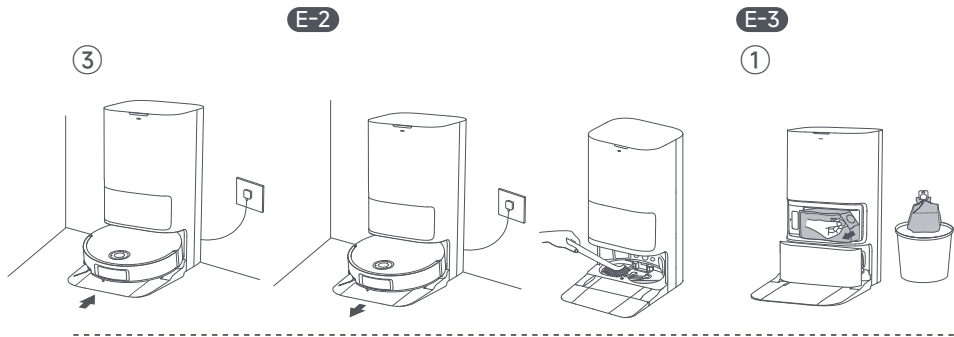
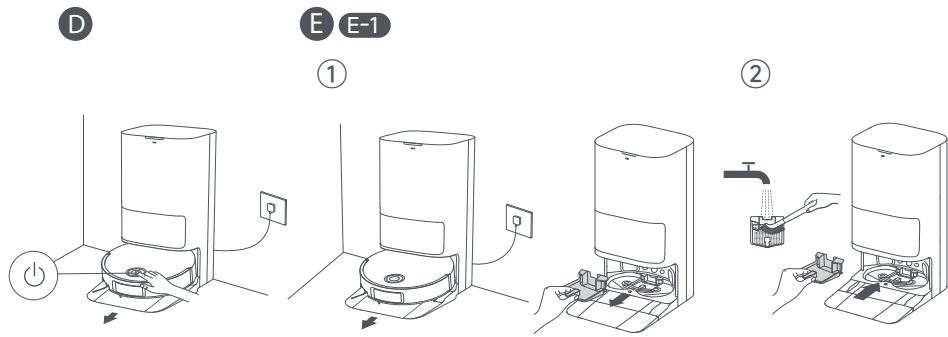


C-6



C-7





Contents

EN	User Manual	01
FR	Manuel d'utilisation	19
ES	Manual del usuario	37

Safety Information

IMPORTANT SAFETY INSTRUCTIONS

When using an electrical appliance, basic precautions should always be followed, including the following:

READ ALL INSTRUCTIONS BEFORE USING (THIS APPLIANCE), Failure to follow the warnings and instructions may result in electric shock, fire and/or serious injury.

WARNING– To reduce the risk of fire, electric shock, or injury:

- Do not use outdoors or on wet surfaces.
- Do not allow to be used as a toy. Close attention is necessary when used by or near children, pets or plants.
- Use only as described in this manual. Use only manufacturer's recommended attachments.
- Do not use with damaged cord or plug. If appliance is not working as it should, has been dropped, damaged, left outdoors, or dropped into water, return it to a service center.
- Do not pull or carry by cord, use cord as a handle, close a door on cord, or pull cord around sharp edges or corners. Do not run appliance over cord. Keep cord away from heated surfaces.
- Do not unplug by pulling on cord. To unplug, grasp the plug, not the cord.

Safety Information

- Do not handle the base station, including charger plug, and charger terminals with wet hands.
- Do not put any object into openings. Do not use with any opening blocked; keep free of dust, lint, hair, and anything that may reduce air flow.
- Keep hair, loose clothing, fingers, and all parts of body away from openings and moving parts.
- Turn off all controls before unplugging.
- Do not use to pick up flammable or combustible liquids, such as gasoline, or use in areas where they may be present.
- Connect to a properly grounded outlet only. See Grounding Instructions.
- Do not pick up anything that is burning or smoking, such as cigarettes, matches, or hot ashes.
- To Reduce the Risk of Fire and Electric Shock due to internal component damage, use only Dreame Trading (Tianjin) Co., Ltd. cleaning fluid intended for use with this appliance. See the Cleaning Fluid section of this manual.
- Do not use without dust bag.
- Prevent unintentional starting. Ensure the switch is in the off-position before connecting to battery pack, picking up or carrying the appliance. Carrying the appliance with your finger on the switch or energizing appliance that have the switch on invites accidents.
- Do not use and store in extremely hot or cold environments (below 0°C/32°F or above 40°C/104°F). Please charge the robot in temperature above 0°C/32°F and below 40°C/104°F.
- Recharge only with the charger specified by the manufacturer. A charger that is suitable for one type of battery pack may create a risk of fire when used with another battery pack.

Safety Information



- Use appliances only with specifically designated battery packs. Use of any other battery packs may create a risk of injury and fire.
- When battery pack is not in use, keep it away from other metal objects, like paper clips, coins, keys, nails, screws or other small metal objects, that can make a connection from one terminal to another. Shorting the battery terminals together may cause burns or a fire.
- Under abusive conditions, liquid may be ejected from the battery; avoid contact. If contact accidentally occurs, flush with water. If liquid contacts eyes, additionally seek medical help. Liquid ejected from the battery may cause irritation or burns.
- Do not use a battery pack or appliance that is damaged or modified. Damaged or modified batteries may exhibit unpredictable behavior resulting in fire, explosion or risk of injury.
- Do not expose a battery pack or appliance to fire or excessive temperature. Exposure to fire or temperature above 130°C/266°F may cause explosion.
- Follow all charging instructions and do not charge the battery pack or appliance outside of the temperature range specified in the instructions. Charging improperly or at temperatures outside of the specified range may damage the battery and increase the risk of fire.
- Have servicing performed by a qualified repair person using only identical replacement parts. This will ensure that the safety of the product is maintained.
- Do not modify or attempt to repair the appliance or the battery pack except as indicated in the instructions for use and care.
- Place the cords from other appliances out of the area to be cleaned.
- Do not operate the vacuum in a room where an infant or child is sleeping.

Safety Information

- Do not operate the vacuum in an area where there are lit candles or fragile objects on the floor to be cleaned.
- Do not operate the vacuum in a room that has lit candles on furniture that the vacuum may accidentally hit or bump into.
- Do not allow children to sit on the vacuum.
- Do not use the vacuum on a wet surface.
- Use only with RCLE0101C supply unit.
- Risk Of Injury. Brush May Start Unexpectedly. Switch off the appliance and Remove the brush Before Cleaning or Servicing.
- Unplug before cleaning or servicing.

SAVE THESE INSTRUCTIONS

Household use only.

	Direct current
	Alternating current

I : ON
O : OFF

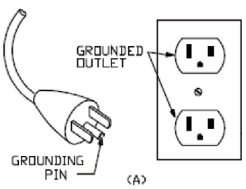
Safety Information

GROUNDING INSTRUCTIONS

This appliance must be grounded. If it should malfunction or breakdown, grounding provides a path of least resistance for electric current to reduce the risk of electric shock. This appliance is equipped with a cord having an equipment grounding conductor and grounding plug. The plug must be inserted into an appropriate outlet that is properly installed and grounded in accordance with all local codes and ordinances.

WARNING – Improper connection of the equipment-grounding conductor can result in a risk of electric shock. Check with a qualified electrician or service person if you are in doubt as to whether the outlet is properly grounded. Do not modify the plug provided with the appliance – if it will not fit the outlet, have a proper outlet installed by a qualified electrician.

This appliance is for use on a nominal 120-V circuit and has a grounding attachment plug that looks like the plug illustrated as below. Make sure that the appliance is connected to an outlet having the same configuration as the plug. No adaptor should be used with this appliance.



Safety Information

LASER SAFETY

Class 1 laser product, Complies with FDA 21 CFR 1040.10 and 1040.11 except for conformance with IEC 60825-1 Ed. 3., as described in Laser Notice 56, dated May 8, 2019.

ENERGY SAVING MODE

To activate Energy Saving Mode, place the robot on the base station and ensure it is charging. Then, press and hold the Dock Button on the robot while quickly pressing the Power Button twice until all indicators turn off.

In Energy Saving Mode, power consumption is minimized by disabling the Wi-Fi module and all other functions not related to charging.

To deactivate Energy Saving Mode, press the Power Button on the robot until all indicators light up.

FCC Information

Supplier's Declaration of Conformity	
Product Name	Robotic Vacuum Cleaner with Base Station
Product Model	Robotic Vacuum Cleaner Model: RPL51FE0 Base Station Model: RCLE0101C
Compliance Statement	This device complies with part 15 of the FCC Rules. Operation is subject to the following two conditions: (1) This device may not cause harmful interference, and (2) this device must accept any interference received, including interference that may cause undesired operation.
Correspondence of the responsible party in USA	
Company	DREAME TECHNOLOGY USA INC
Address	16192 Coastal Highway, Lewes, Delaware 19958, County of Sussex
Email	support.na@dreame.tech

Caution:

This device complies with Part 15 of the FCC Rules / Innovation, Science and Economic Development Canada's licence-exempt RSS(s). Operation is subject to the following two conditions: (1) this device

FCC Information

may not cause harmful interference. (2) this device must accept any interference received, including interference that may cause undesired operation.

Changes or modifications not expressly approved by the party responsible for compliance could void the user's authority to operate the equipment.

This equipment has been tested and found to comply with the limits for a Class B digital device, pursuant to part 15 of the FCC Rules. These limits are designed to provide reasonable protection against harmful interference in a residential installation. This equipment generates uses and can radiate radio frequency energy and, if not installed and used in accordance with the instructions, may cause harmful interference to radio communications. However, there is no guarantee that interference will not occur in a particular installation. If this equipment does cause harmful interference to radio or television reception, which can be determined by turning the equipment off and on, the user is encouraged to try to correct the interference by one or more of the following measures:

- Reorient or relocate the receiving antenna.
- Increase the separation between the equipment and receiver.
- Connect the equipment into an outlet on a circuit different from that to which the receiver is connected.
- Consult the dealer or an experienced radio/TV technician for help.

MPE Reminding

To satisfy FCC / IC RF exposure requirements, a separation distance of 8" (20 cm) or more should be maintained between the antenna of this device and persons during device operation.

To ensure compliance, operations at closer than this distance is not recommended.

A Product Overview

Robot

1. Dock Button

- Press to send the robot back to the base station
- Press and hold for 3 seconds to disable Child Lock

2. Power / Clean Button

- Press and hold for 3 seconds to turn on or off
- Press to start cleaning after the robot is turned on

Button Status Indicator

- Solid White: Cleaning or cleanup completed
- Breathing White: Charging (not low battery)
- Solid Orange: Awaiting at low battery or paused at low battery
- Breathing Orange: Charging (low battery)
- Blinking Orange: Error

Note:

- Press any button on the robot to pause while the robot is cleaning or returning to charge.
- Child Lock can be enabled/disabled through the Dreamehome app.

3. AI HD Camera

4. LED Auxiliary Light

5. 3D ToF Module

6. Microphones

7. Bumper

8. Bumper Window

9. Reset Button

- Press and hold for 3 seconds to restore to factory settings

10. Wi-Fi Indicator

11. Cover

12. Auto-Empty Vent

13. Edge Sensor

14. Charging Contacts

15. Automatic Water Refilling Inlet

16. Connectors

17. Cliff Sensors

18. Carpet Sensor

19. Side Brush Extension Assembly

20. Main Brushes

21. Auxiliary Climbing Wheel

22. Main Wheel

23. MopExtend Assembly

24. Omnidirectional Wheel

25. Brush Guard

26. Auxiliary Climbing Wheel

27. Main Wheel

28. Brush Guard Clips

29. Mop Pad Holder Mounting Holes

Fig. A-1

Dust Box

1. Auto-Empty Vent

2. Filter

3. Dust Box Clip

4. Filter Clip

Fig. A-2

Mop Assembly

1. Mop Pad Attachment Area

2. Mop Pad Holder

3. Mop Pad

Fig. A-3

Base Station

1. Cover

2. Used Water Tank

3. Clean Water Tank

4. Dust Tank Cover

5. Washboard

6. Washboard Filter

7. Heating Module

8. Ramp Extension Plate

9. Water Tank Clip

10. Float Ball

11. Water Tank Clip

12. Water Pipe

13. Filter

14. Floater

15. Auto Solution Dispenser Module - Single Compartment

16. Filter

17. Auto-Empty Vents

18. Signaling Area

19. Status Indicator

- Solid White: The base station is connected to power

- Solid Orange: The base station has an error

20. Dust Bag Slot

21. Charging Contacts

22. Automatic Water Adding Outlet

23. Reserved Slot for Connecting the Water Hookup Kit for Auto Refilling and Draining

Note: The water hookup kit for auto refilling and draining is sold separately. (Only available in specific regions)

24. Power Port

25. Power Cord Storage Slot

Fig. A-4

B Preparing Your Home

1. Before cleaning, please move away unstable, fragile, valuable or dangerous items, and clean up cables, cloths, toys, hard objects and sharp objects on the ground to avoid being entangled, scratched or knocked over by the robot and causing losses.
2. Before cleaning, place a physical barrier at the edge of the stairs to ensure the secure and smooth operations of the robot.
3. Open the door of the room to be cleaned, and put the furniture in its proper place to leave more space.
4. To prevent the robot from missing areas that need to be cleaned, do not stand in front of the robot, threshold, hallway, or narrow places.

Note:

- When operating the robot for the first time, follow it around while cleaning to remove any potential obstacles in time.
- The LED auxiliary light will provide auxiliary lighting in dimly lit environments.
- Do not vacuum hard objects like stones, steel balls and

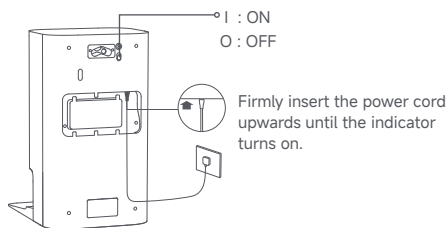
toy parts, or sharp objects like construction waste, broken glass and nails, otherwise the ground may be scratched.

Fig. B

C Before Use

1. Place the Base Station and Connect to an Electrical Outlet

Place the base station in a location that is as open as possible with a good Wi-Fi signal. Leave enough space as shown in the figure and remove any objects in the shaded area. Insert the power cord into the base station and plug it into the socket.



Note:

- Make sure that no objects might block the signaling area.
- To prevent water stains from wetting wood floors or carpets, placing the base station on tile floors or marble floors is recommended.

2. Install the Ramp Extension Plate

Note:

- Ensure that the washboard filter is installed into place before use.
- The washboard filter can be removed for cleaning during routine maintenance.

3. Remove Robot Protections and Install the Mop Assembly

4. Connect with the Dreamehome App

(1) Press and hold the power button on the robot for 3 seconds to turn it on. Scan the QR code under the robot cover, or search "Dreamehome" in the app store to download and install the app.
(2) Open the Dreamehome app, tap "Scan QR code to connect", and scan the same QR code on the robot again to add the device. Please follow the prompts to finish the Wi-Fi connection.

① Wi-Fi Indicator

- Blinking slowly: To be connected
- Blinking quickly: Connecting
- On: Connected

② QR Code

Note:

- Only 2.4 GHz Wi-Fi is supported.
- To reset Wi-Fi, repeat step (2) and then follow the prompts to finish the Wi-Fi connection.
- To disconnect the device from Wi-Fi network, press and hold the Reset button on the robot for 3 seconds.
- Due to upgrades in the app software, the actual operations may differ from the directions in this manual. Please follow the instructions based on the current app version.

5. Connect the Robot to the Base Station

Place the robot onto the base station with the

mop assembly facing toward the washboard. Then you will hear a voice notification when the robot successfully connects to the base station. After the robot is fully charged, the status indicators on the robot and the base station will remain lit for 10 minutes and then dim.

Note: It is recommended to fully charge the robot before its first use. When the robot cannot be turned on after the battery is depleted, manually connect the robot with the station to charge it.

6. Add the Cleaning Solution (Cleaning Fluid Section)

WARNING: To Reduce the Risk of Fire and Electric Shock due to internal component damage, use only Dreame Trading (Tianjin) Co., Ltd. cleaning fluid (for Dreame L60 Ultra) intended for use with this appliance.

- (1) Remove the dust tank cover and pull out the auto solution dispenser module.
- (2) Open the upper lid of the module and add the cleaning solution.
- (3) Close the lid of the module, put it back into the base station, and then reinstall the dust tank cover. The cleaning solution will be added automatically while working.

Note:

- The auto solution dispenser module can be filled up with cleaning solution for use. Do not add any liquid other than the officially-approved cleaning solution to help prevent malfunction.
- Install the auto solution dispenser module until it clicks

into place.

7. Add Water to the Clean Water Tank

Take out the clean water tank from the base station and fill up the tank with clean water. Then install it back into the base station.

Note: Do not add hot water into the water tank, as this may cause the tank to become deformed.

Fig. C-1-Fig. C-7

D How to Use

Turn On/Off

Press and hold the power button for 3 seconds to turn on the robot. The power indicator will remain lit. Or, place the robot onto the base station by aligning the charging contacts of the robot with those of the base station, and then the robot will turn on automatically and begin charging. To turn off the robot, move the robot away from the base station and press and hold the power button for 3 seconds.

Fast Mapping

After configuring the network for the first time, follow the instructions in the app to quickly create a map. The robot will start mapping without cleaning. When the robot returns to the base station, the mapping process has been completed and the map will be saved automatically.

Pause/Sleep

When the robot is running, press any button to pause it.

If the robot is paused for more than 10 minutes, it automatically enters sleep mode. All indicators on the robot will turn off. Press any button on the robot, or use the app to wake up the robot.

Note: If the robot is paused and placed onto the base station, the current cleaning process will end.

Auto Resume Cleaning

If the battery is too low, the robot will automatically return to the base station to charge. After charging to the appropriate battery level, it will resume unfinished cleaning tasks.

Note: To use this function, please enable it in the app.

Do Not Disturb (DND) Mode

When the robot is set to the Do Not Disturb (DND) mode, the robot will be prevented from resuming cleaning. The DND mode is disabled by default at the factory. You can use the app to enable the DND mode or modify the DND period. The DND period is 22:00-8:00 by default.

Note:

- The scheduled cleaning tasks will be performed during the DND period.
- The robot will resume cleanup where it left off after the DND period expires.

Robot Restarting

If the robot stops responding or cannot be turned off, press and hold the power button for 10 seconds to forcefully turn it off. Then, press and hold the power button for 3 seconds to turn the robot on.

Vacuum and Mop

Note: After installing the mop assemblies, the robot will default to "Vacuum and Mop" mode during its first use. To adjust the cleaning mode, go to the Cleaning Mode settings in the app and select from the following three additional options:

- ① Mop after Vacuuming
- ② Vacuum
- ③ Mop

1. Start cleaning

Press the power button on the robot, or use the app to make the robot start from the base station. Then the robot will plan the optimal cleaning route and perform the cleaning task based on the created map.

Note:

- To ensure the robot easily returns to the base station after cleaning, it is recommended to make the robot start from the base station.
- The mop pads will be cleaned before the robot starts mopping, please wait patiently.
- Do not move the base station, the clean water tank, the used water tank, or the washboard filter during operation.
- To prevent scalding, do not touch the water outlet or heating module while the base station is operating.

2. Auto mop washing

When cleaning, the robot will automatically return to

the base station to wash mop pads based on the mop pad cleaning frequency specified in the app. The base station will automatically refill the robot clean water box and the robot will resume cleanup.

3. Automatically empty the dust box and wash and dry the mop pads

After the robot finishes a cleaning task and returns to the base station to charge, the base station will automatically empty the dust box and then wash and dry the mop pads.

Note:

- If the auto-empty function is turned off in the app, the base station will not automatically empty the dust box.
- The base station will empty the dust box according to the setting in the app.

4. Clean the used water tank

After the robot has completed its task, please clean the used water tank to prevent any odor.

E Routine Maintenance

Parts

To keep the robot in good condition, it is recommended to refer to the accessory usage in the app or the following table for routine maintenance.

Part	Maintenance Frequency	Replacement Period
Used water tank	After each use	/
Clean water tank	Once every 2 weeks	
Main brushes		Every 6 to 12 months
Dust box filter		Every 3 to 6 months
Side brush		/
Mop pad holders		
Washboard filter		
Washboard heating module	Once every 6 months	
Base station signaling area	Once every month	
Charging contacts		
Auto-empty vents		
Omnidirectional wheel		
Edge sensor		
Carpet sensor		

Part	Maintenance Frequency	Replacement Period
Cliff sensors	Once every month	/
Bumper window		
Bumper		
Robot automatic water refilling inlet		
Bottom of the robot		
Dust box	Clean it as needed	/
Main wheels		
Auxiliary climbing wheels		
Dust bag	/	Every 2 to 4 months
Mop pads		Every 1 to 3 months

Note: The frequency of maintenance and replacement depends on actual usage. If an exception occurs due to special circumstances, prompt maintenance or replacement is recommended.

Washboard Filter

1. Take out the robot and remove the washboard filter after the mop pad cleaning is complete.

Note: The washboard heating module may retain residual heat. To prevent scalding, be careful when removing the washboard filter.


2. Rinse the washboard filter with clean water, wipe it clean, and then reinstall it in the washboard.
3. Use the app or press the button  to return the robot to the base station, or manually put the robot back.

Fig. E-1

Washboard Heating Module

During use, the washboard heating module may develop scale. To remove it, take out the robot, pour a small amount of white vinegar (5% acetic acid) on the surface of the heating module and clean it with a proper tool.

Note:

- To prevent scalding, wait until the surface of the heating module cools down to room temperature before cleaning.
- An appropriate descaler can also be used in accordance with the instructions it provides.
- Do not add white vinegar or descaler directly into the clean water tank to help prevent malfunction.
- Do not use sharp tools or corrosive liquids such as hydrochloric acid to clean the heating module.

Fig. E-2

Dust Bag

1. Remove the dust tank cover and discard the dust bag.

Note: Pulling upwards on the handle will seal the bag to prevent the dust and debris from accidentally falling out.

2. Remove the dust and debris from the filter with a dry cloth.
3. Install a new dust bag.
4. Reinstall the dust tank cover.

Fig. E-3

Used Water Tank

1. Remove the used water tank, open its cover and pour out the used water.
2. Rinse the used water tank with clean water, and use a proper tool to clean the inner wall of the used water tank.

Note: The float ball in the used water tank is a movable part. Do not apply too much force when cleaning it to avoid damaging it.

Fig. E-4

Main Brushes

1. Press the brush guard clips inwards to remove the brush guard, and then lift the brushes out of the robot.
2. Pull out the brushes as shown in the figure. Use a proper tool to remove any hair tangled in the brushes. After cleaning, push the brushes firmly into

the main brush holder until they click into place.

Note: Be careful while pulling out the main brushes to prevent injury.

3. With the screen-printed arrows facing upwards, insert the main brush holder into the slots downwards in an inclined way.
4. Align the front end of the brush guard with the slot, insert it downwards in an inclined way, and then press it into place.

Fig. E-5

Side Brush

Unscrew the side brush with a screwdriver, clean the hair from the brush, and then screw it back on.

Fig. E-6

Omnidirectional Wheel

Note:

- Use a tool such as a small screwdriver to separate the axle and tire of the omnidirectional wheel. Do not use excessive force.
- Rinse the omnidirectional wheel under the running water and put it back after drying it completely.

Fig. E-7

Auxiliary Climbing Wheels and Main Wheels

1. Rotate the auxiliary climbing wheel until the "OUT" arrow is facing upward, and then pull out the wheel.

2. Use a proper tool to clean the hair tangled in the main wheel and auxiliary climbing wheel.
3. After cleaning, rotate the main wheel to align the two arrows (see Figure ①). Then, with the "IN" arrow facing downward, insert the left and right auxiliary climbing wheels accordingly until they click into place. (see Figure ②).

Fig. E-8

Mop Pad Holders

Remove and clean the mop pad holders.

Fig. E-9

Mop Pads

Remove the mop pads from the mop pad holders to replace them.

Fig. E-10

Dust Box and Filter

1. Press the dust box clip to remove the dust box.
2. Remove the dust box filter, and then empty the dust box. Gently tap the basket of the filter to remove the dirt.

Note: Do not attempt to clean the filter with a brush, a finger or sharp objects to prevent damage.

3. Rinse the dust box and filter with water and dry them completely before reinstalling.

Note:

- Rinse the dust box and filter with clean water only. Do not use any detergent.

- Use the dust box and filter only when they are completely dry.

Fig. E-11

Robot Sensors

Wipe the robot sensors by using a soft and dry cloth, as shown in the figure:

1. Bumper Window
2. Edge Sensor
3. Bumper
4. Cliff Sensors
5. Carpet Sensor

Note: A wet cloth can damage sensitive elements within the robot and the base station. Please use a dry cloth for cleaning.

Fig. E-12

Auto-Empty Vents, Charging Contacts and Signaling Area

Clean the auto-empty vents, charging contacts and the signaling area with a soft and dry cloth.

Fig. E-13

Battery

The robot contains a high-performance lithium-ion battery pack. Make sure that the battery remains well-charged for daily use to maintain optimal battery performance. If the robot is not used for an extended period of time, turn it off and put it away. To prevent damage from over-discharging, charge the robot at least once every three months.


Troubleshooting

Problem	Solution
The robot will not turn on.	<ul style="list-style-type: none"> The battery is low. Recharge the robot on the base station and try again. The temperature of the battery is too low or too high. It is recommended to use the robot in environments with an ambient temperature above 0°C (32°F) and below 40°C (104°F).
The robot will not charge.	<ul style="list-style-type: none"> The base station is not connected to power, please make sure both ends of its power cord are correctly plugged in. The contact between the charging contacts on the base station and the robot is poor, please clean the charging contacts. Check whether there is any foreign object at the connectors of the robot and remove the foreign object if any.
The robot fails to connect to Wi-Fi.	<ul style="list-style-type: none"> The Wi-Fi network password is incorrect. Make sure the password used to connect to your Wi-Fi network is correct. The robot does not support a 5 GHz Wi-Fi connection. Make sure the robot is connected to a 2.4 GHz Wi-Fi connection. The Wi-Fi signal is weak. Make sure the robot is in an area with good Wi-Fi coverage. The robot may not be ready to be configured. Please exit and re-enter the app, and then try again as instructed.

Problem	Solution
The robot cannot find and return to the base station.	<ul style="list-style-type: none"> The route for returning to charge is blocked, e.g. the door is closed. The base station is disconnected from power or moved when the robot is not on it. Please connect the base station to the power supply or place the robot onto the base station to charge. There are too many obstructions around the base station. Place the base station in a more open area. Moving the robot may cause it to re-position itself, and it will recreate a map if re-positioning fails. If the robot is too far from the base station, it might not be able to automatically return on its own, in which case you will need to manually place the robot onto the base station. Wipe the signaling area on the base station to remove dust or debris.
The robot gets stuck in front of the base station and cannot return to it.	<ul style="list-style-type: none"> Check whether there is enough space on both sides or in front of the base station to prevent the robot from being blocked. The robot may slip if the floor in front of the base station is overly wet. If so, clean the excess water before trying again. It is recommended to move the base station to a different place and try again. Make sure the ramp extension plate is installed properly.
The robot will not turn off.	<ul style="list-style-type: none"> The robot cannot be turned off when it is charging. It is recommended to move the robot from the base station, and then press and hold the power button for 3 seconds to turn it off. If the robot cannot be turned off by performing step 1, press and hold the power button for 10 seconds to forcibly turn off the robot. If the problem persists, please contact after-sales service.

Troubleshooting

Problem	Solution
The charging speed is slow.	<ul style="list-style-type: none"> It takes about 3.5 hours to fully charge the robot when its battery is low. If you operate the robot at temperatures outside of the specified range, the charging speed will automatically slow down to extend the battery life. The charging contacts on both the robot and the base station may be dirty, please wipe them with a dry cloth.
The noise increases while the robot is operating.	<ul style="list-style-type: none"> Check whether the dust box filter is clogged. If so, clean it or replace it. A hard object may be caught in the main brushes or the dust box. Check and remove any hard object. The main brushes or the side brush may become tangled. Check and remove any foreign objects. Switch the suction mode to Standard or Quiet.
The robot moves without following the set route.	<ul style="list-style-type: none"> Objects such as power cords and slippers should be organized before using the robot. Working on wet slippery surfaces causes the main wheel to slip. It is recommended to dry the wet places before using the robot. Wipe the bumper window on the robot with a clean, soft cloth to keep them clean and unobstructed.
The robot misses the rooms to be cleaned.	<ul style="list-style-type: none"> Make sure that the doors of the rooms to be cleaned are open. The place in front of the room to be cleaned may be wet and slippery, causing the robot to slip and work abnormally. Please try drying the floor before using the robot.

Problem	Solution
The robot will not resume cleaning after charging.	<ul style="list-style-type: none"> Make sure that the robot is not set to the Do Not Disturb (DND) mode, which will prevent it from resuming cleaning. The robot will not resume cleaning after you manually place the robot on the base station or send the robot to charge via the app or the button .
The station cannot automatically empty the dust box.	<ul style="list-style-type: none"> Check whether the dust bag in the dust tank is full. If the dust bag is not full, check whether there is any obstruction at the auto-empty vents of the robot, the base station, or the dust box. If any, clean the blocked part in time.
The water level in the washboard is abnormal.	<ul style="list-style-type: none"> Check whether the seal on the used water tank is loose or not correctly installed, and manually reset it if so. If the problem persists, please contact the after-sales service team. Gently press down on the used water tank to make sure it is installed correctly. Remove the washboard filter and check whether the drain outlet is blocked and clean it. Check the cleaning solution. Do not add any liquid other than the officially-approved cleaning solution.
The mop pad holder is raised abnormally.	<ul style="list-style-type: none"> Please remove the mop pad holder to check if there is any foreign object stuck in it, and try to restart the robot. If the problem persists, please contact the after-sales service team.
There is water under the clean water tank or around the seal.	<ul style="list-style-type: none"> When taking out the clean water tank, some water in the pipe may be left under the tank or around the seal. This is normal. Please wipe with a dry cloth.

For additional services, please contact us via support.na@dreame.tech

Tel: +1 (866) 977-5177

Specifications

Robot

Model	RPL51FE0
Charging Time	Approx. 3.5 hours
Rated Voltage	14.4 V ---
Rated Power	75 W
Operation Frequency	2400-2483.5 MHz
Maximum Output Power	< 20 dBm

Under normal use of condition, this equipment should be kept a separation distance of at least 8" (20 cm) between the antenna and the body of the user.

Base Station

Model	RCLE0101C
Rated Input	120 V ~ 60 Hz 4.1 A (during dust emptying)
Rated Output	20 V DC, 2 A
Rated Power (during hot water cleaning)	750 W

Note: Rated Power (during hot water cleaning) is determined by the power value during the representative period (water temperature 25°C/77°F).

Informations sur la sécurité

IMPORTANTES MESURES DE SÉCURITÉ

L'utilisation d'un appareil électrique demande certaines précautions:

LIRE TOUTES LES INSTRUCTIONS AVANT DE FAIRE FONCTIONNER (CETAPPAREIL), Le non-respect des mises en garde et des instructions peut causer des chocs électriques, des incendies et/ou des blessures graves.

AVERTISSEMENT – Pour réduire les risques d'incendie, de choc électrique ou de blessure:

- Ne pas exposer à la pluie, Ranger à l'intérieur.
- Ne pas permettre aux enfants de jouer avec l'appareil. Une attention particulière est nécessaire lorsque l'appareil est utilisé par des enfants ou à proximité de ces derniers.
- N'utiliser que conformément à cette notice avec les accessoires recommandés par le fabricant.
- Ne pas utiliser si le cordon ou la fiche est endommagé. Retourner l'appareil à un atelier de réparation s'il ne fonctionne pas bien, s'il est tombé ou s'il a été endommagé, oublié à l'extérieur ou immergé.
- Ne pas tirer soulever ni trainer l'appareil par le cordon. Ne pas utiliser le cordon comme

Informations sur la sécurité

une poignée, le coincer dans l'embrasure d'une porte ou l'appuyer contre des arêtes vives ou des coins. Ne pas faire rouler l'appareil sur le cordon. Garder le cordon à l'écart des surfaces chaudes.

- Ne pas débrancher en tyrant sur le cordon. Tirer plutôt la fiche.
- Ne manipulez pas la station de base, y compris la fiche du chargeur, et les bornes du chargeur avec les mains mouillées.
- N'insérer aucun objet dans les ouvertures. Ne pas utiliser l'appareil lorsqu'une ouverture est bloquée.
- S'assurer que de la poussière, de la peluche, des cheveux ou d'autres matières ne réduisent pas le débit d'air.
- Maintenir les cheveux, les vêtements amples, les doigts et toutes les parties du corps à l'écart des ouvertures et des pièces mobiles.
- Mettre toutes les commandes en position d'arrêt avant de débrancher l'appareil.
- Ne pas aspirer des liquides inflammables ou combustibles, comme de l'essence, et ne pas faire fonctionner dans des endroits où peuvent se trouver de tels liquides.
- Doit être branché sur une prise de courant avec mise à la terre. Voir les instructions de mise à la terre.
- Ne pas aspirer de matières en combustion ou qui dégagent de la fumée, comme des cigarettes, des allumettes ou des cendres chaudes.
- Pour réduire le risque d'incendie ou de choc électrique dû au dommage de composants internes, utiliser seulement le liquide de nettoyage Dreame Trading (Tianjin) Co., Ltd. prévu pour cet appareil (voir détails sur les produits de nettoyage ailleurs dans cette notice).
- Ne pas utiliser l'appareil si le sac à poussière ou le filtre n'est pas en place.
- Empêcher une mise en marche accidentelle. S'assurer que l'interrupteur est à la position arrêt avant de

Informations sur la sécurité

raccorder la batterie, de lever ou de déplacer l'appareil. Transporter l'appareil en gardant un doigt sur l'interrupteur, ou mettre sous tension un appareil dont l'interrupteur est à la position marche peut causer un accident.

- Ne pas utiliser et entreposer dans un environnement à température extrêmement chaude ou froide (inférieure à 0°C/32°F ou supérieure à 40°C/104°F). Veuillez charger le robot à une température supérieure à 0°C/32°F et en dessous de 40°C/104°F.
- Retirer la batterie de l'appareil avant d'effectuer des réglages, changer les accessoires ou ranger l'appareil. Ces mesures de sécurité ont pour but d'éviter une mise en marche accidentelle de l'appareil.
- Recharger uniquement avec le chargeur prescrit par le fabricant. Un chargeur convenant à un type de batterie peut présenter un risque d'incendie lorsqu'il est utilisé avec une autre batterie.
- Utiliser uniquement les batteries recommandées pour l'appareil. L'utilisation d'autres types de batteries peut présenter un risque de blessure ou d'incendie.
- Lorsque l'appareil n'est pas utilisé, tenir la batterie loin d'objets métalliques comme des trombones, des pièces de monnaie, des clés, des clous, des vis ou autres petits objets qui pourraient établir une liaison entre les bornes. Un court-circuit des bornes des batteries peut causer des brûlures ou un incendie.
- En condition d'usage abusif, du liquide peut s'échapper de la batterie ; éviter tout contact avec ce liquide. En cas de contact accidentel, rincer abondamment avec de l'eau. En cas de contact avec les yeux, consulter également un médecin. Le liquide projeté peut causer des irritations ou des brûlures.
- Ne pas utiliser une batterie ou un appareil endommagé ou qui a été modifié. Des batteries endommagées ou modifiées peuvent avoir un comportement imprévisible pouvant causer un incendie, une explosion ou un risque de blessure.

Informations sur la sécurité

- Ne pas exposer une batterie ou un appareil à la flamme ou à des températures excessives. L'exposition à une flamme ou à des températures supérieures à 130°C /266°F peut causer une explosion.
- Respecter toutes les instructions de chargement et ne pas charger la batterie ou l'appareil à des températures qui ne sont pas incluses dans la gamme de températures indiquées dans la notice d'instructions. Un chargement mal effectué.
- Confier les réparations à une personne qualifiée qui utilisera uniquement des pièces de remplacement identiques. Cette façon de faire garantira la sécurité du produit.
- Ne pas modifier ni tenter de réparer l'appareil ou la batterie sauf comme il est indiqué dans les instructions d'utilisation et d'entretien.
- Éloigner les cordons d'autres appareils de la zone à nettoyer.
- Ne pas utiliser l'aspirateur dans une pièce où un nourrisson ou un enfant dort.
- Ne pas utiliser l'aspirateur dans un endroit où il ya des bougies allumées ou des objets fragiles sur le plancher à nettoyer.
- Ne pas utiliser l'aspirateur dans une pièce où il ya des bougies allumées sur les meubles que l'aspirateur peut heurter ou se cogner accidentellement.
- Ne pas laisser les enfants s'asseoir sur l'aspirateur.
- Ne pas utiliser l'aspirateur sur une surface mouillée.
- N'utiliser que l'unité d'approvisionnement RCLE0101C.
- Risque de blessures. La brosse motorisée peut se mettre en marche d'une manière imprévue. Éteignez l'Appareil et Retirez la Brosse Avant De Procéder Au Nettoyage ou À L'entretien.
- Débranchez l'appareil avant de le nettoyer ou de le réparer.

Informations sur la sécurité

CONSERVER CES INSTRUCTIONS

Usage Domestique seulement.

---	Courant continu
~	Courant alternatif

I : MARCHE

O : ARRÊT

INSTRUCTIONS DE MISE À LA TERRE

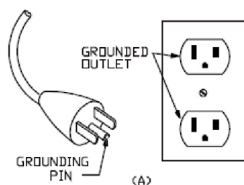
Cet appareil doit être mis à la terre. En cas de défaillance ou de panne, le circuit de mise à la terre offre au courant un chemin de moindre résistance qui réduit le risque de choc électrique. L'appareil est pourvu d'un cordon muni d'un conducteur qui en assure la mise à la terre et d'une fiche avec broche de terre. Cette fiche doit être branchée sur une prise convenable, correctement installée et reliée à la terre conformément aux codes et aux règlements du lieu.

AVERTISSEMENT. Un conducteur de terre mal raccordé présente des risques de choc électrique. Consulter un électricien ou un technicien d'entretien compétent en cas de doute à propos de la mise à la terre d'une prise quelconque. Ne pas modifier la fiche

Informations sur la sécurité

vendue avec l'appareil; si elle ne s'insère pas dans la prise, faire installer une nouvelle prise par un électricien compétent.

Cet appareil destiné à un circuit nominal de 120 V est muni d'une fiche de terre semblable à celle illustrée comme ci-dessous. L'appareil doit être branché sur une prise ayant la même configuration que la fiche. Aucun adaptateur ne devrait être utilisé avec cet appareil.



SÉCURITÉ LASER

Produit laser de classe 1, conforme à la norme FDA 21 CFR 1040.10 et 1040.11, à l'exception de la conformité à la norme CEI 60825-1 Ed. 3., comme décrit dans l'avis sur les lasers 56, daté du 8 mai 2019.

Informations sur la sécurité

MODE ÉCONOMIE D'ÉNERGIE

Pour activer le mode économie d'énergie, placez le robot sur la station de base et assurez-vous qu'il est en charge. Puis, maintenez le bouton de station d'accueil du robot enfoncé tout en appuyant rapidement deux fois sur le bouton d'alimentation jusqu'à ce que tous les indicateurs s'éteignent.

En mode économie d'énergie, la consommation d'énergie est réduite en désactivant le module Wi-Fi et toutes les autres fonctions non liées à la charge.

Pour désactiver le mode économie d'énergie, appuyez sur le bouton d'alimentation du robot jusqu'à ce que tous les indicateurs s'allument.

Informations sur FCC

L'émetteur/récepteur exempt de licence contenu dans le présent appareil est conforme aux CNR d'Innovation, Sciences et Développement économique Canada applicables aux appareils radio exempts de licence. L'exploitation est autorisée aux deux conditions suivantes :


1. L'appareil ne doit pas produire de brouillage;
2. L'appareil doit accepter tout brouillage radioélectrique subi, même si le brouillage est susceptible d'en compromettre le fonctionnement.

L'antenne installée doit être située de façon à ce que la population ne puisse être exposée à une distance de moins de 8" (20 cm). Installer l'antenne de façon à ce que le personnel ne puisse approcher à 8" (20 cm) ou moins de la position centrale de l'antenne.

La FCC des États-Unis stipule que cet appareil doit être en tout temps éloigné d'au moins 8" (20 cm) des personnes pendant son fonctionnement.

A Présentation du produit

Robot

- Bouton de station d'accueil 
 - Appuyez pour renvoyer le robot à la station d'accueil
 - Appuyez et maintenez enfoncé pendant 3 secondes pour désactiver le Verrouillage enfant
 - Bouton d'alimentation/ de nettoyage
 - Appuyez et maintenez enfoncé pendant 3 secondes pour activer ou désactiver
 - Appuyez pour lancer le nettoyage une fois le robot allumé
- Bouton de témoin d'état**
- Blanc fixe : Nettoyage ou lavage terminé
 - Clignote lentement en blanc : En charge (pas de batterie faible)
 - Orange fixe : En attente avec batterie faible ou en pause avec batterie faible
 - Clignote lentement en orange : En charge (batterie faible)
 - Orange clignotant : Erreur
- Remarque :**
- Appuyez sur n'importe quel bouton du robot pour faire une pause pendant que le robot nettoie ou revient pour se charger.
 - Le Verrouillage enfant peut être activé et désactivé avec l'application Dreamehome.
- Caméra HD IA
 - Lumière d'appoint LED
 - Capteur ToF 3D
 - Microphones
 - Pare-chocs

- Fenêtre du pare-chocs
- Bouton de réinitialisation
 - Appuyez pendant 3 secondes pour rétablir les paramètres d'usine
- Témoin Wi-Fi
- Capot
- Évent de vidage automatique
- Capteur de bord
- Contacts de charge
- Entrée d'eau de remplissage automatique
- Connecteurs
- Capteurs de vide
- Capteur à ultrasons
- Module d'extension de la brosse latérale
- Brosses principales
- Roue d'escalade auxiliaire
- Roue motrice
- Module d'extension de la serpillière
- Roue omnidirectionnelle
- Capot de la brosse principale
- Roue d'escalade auxiliaire
- Roue motrice
- Clips du capot de la brosse principale
- Trous de montage du plateau de serpillière

Fig. A-1

Bac à poussière

- Évent de vidage automatique
- Filtre
- Clip du bac à poussière
- Clip du filtre

Fig. A-2

Module de serpillière

- Zone de fixation de serpillière
- Plateau de serpillière
- Serpillière

Fig. A-3

Station d'accueil

- Capot
- Réservoir d'eau usagée
- Réservoir d'eau propre
- Couvercle du réservoir à poussière
- Planche à laver
- Filtre de la planche à laver
- Module de chauffage
- Plaque d'extension de rampe
- Clip du réservoir d'eau
- Bille flottante
- Clip du réservoir d'eau
- Tuyau d'eau
- Filtre
- Flotteur
- Module de distributeur automatique de solution
 - Compartiment unique
- Filtre
- Évents de vidage automatique
- Zone d'émission du signal
- Témoin d'état
 - Blanc fixe : La station d'accueil est connectée à l'alimentation
 - Orange fixe : Erreur dans la station d'accueil
- Fente pour le sac à poussière

21. Contacts de charge
22. Sortie d'eau d'ajout automatique
23. Interface réservée pour le dispositif d'alimentation et d'évacuation automatiques d'eau

Remarque : Le dispositif automatique d'alimentation et de vidange d'eau est vendu séparément. (Disponible uniquement dans certaines régions)

24. Port d'alimentation
25. Fente de rangement du câble

Fig. A-4

B Préparer son intérieur

1. Avant de procéder au nettoyage, éloignez les objets instables, fragiles, précieux ou dangereux, et ramassez les câbles, les chiffons, les jouets, les objets durs et pointus qui se trouvent sur le sol, afin d'éviter que le robot ne les emmêle, ne les raye ou ne les renverse, ce qui entraînerait des pertes.
2. Avant le nettoyage, placez une barrière physique au bord de l'escalier pour garantir la sécurité et le bon fonctionnement du robot.
3. Ouvrez la porte de la pièce à nettoyer et placez les meubles dans un espace approprié pour laisser plus d'espace.
4. Pour permettre au robot de bien identifier les zones qui doivent être nettoyées, ne restez pas devant le robot, un seuil, un couloir ou des endroits étroits.

Remarque :

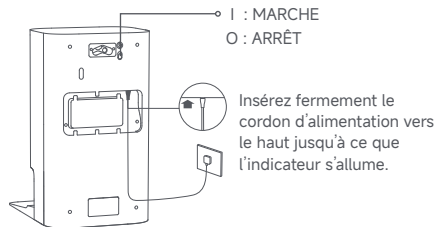
- À la première utilisation du robot, suivez-le pendant qu'il nettoie afin de retirer tout obstacle éventuel à temps.
- La lumière d'appoint LED fournira un éclairage d'appoint dans les environnements faiblement éclairés.
- N'aspirez pas des objets durs tels que des cailloux, des boules en acier et des pièces de jouet, ou des objets tranchants tels que des déchets de construction, du verre brisé et des clous, sinon cela peut rayer le sol.

Fig. B

C Avant l'utilisation

1. Placer la station d'accueil et la brancher sur une prise électrique

Placez la station d'accueil dans un endroit le plus dégagé possible et disposant d'un signal Wi-Fi satisfaisant. Libérez suffisamment d'espace, comme montré sur le schéma, et retirez tous les objets de la zone grisée. Insérez le cordon d'alimentation dans la station d'accueil et branchez-le sur la prise.



Remarque :

- Assurez-vous qu'aucun objet ne bloque la zone d'émission du signal.
- Pour éviter que l'eau ne mouille les parquets ou les tapis, il est recommandé d'installer la station d'accueil sur des sols en carrelage ou en marbre.

2. Installer la plaque d'extension de rampe

Remarque :

- Vérifiez que le filtre de la planche à laver est correctement installée avant l'utilisation.
- Le filtre de la planche à laver peut être retiré pour être nettoyé lors de l'entretien de routine.

3. Retirer les protections du robot et installer le module de serpillière

4. Connexion à l'application Dreamehome

(1) Appuyez sur le bouton d'alimentation du robot et maintenez-le enfoncé pendant 3 secondes pour l'activer. Scannez le code QR sous le capot du robot ou recherchez « Dreamehome » dans l'App Store pour télécharger et installer l'application.

(2) Ouvrez l'application Dreamehome, appuyez sur « Scannez le code QR pour vous connecter » et scannez à nouveau le même code QR sur le robot pour ajouter l'appareil. Suivez les messages d'instructions pour terminer la connexion Wi-Fi.

① Témoin Wi-Fi

- Clignote lentement : À connecter
- Clignote rapidement : Connexion en cours
- Allumé : Connecté

② Code QR

Remarque :

- Seul le réseau Wi-Fi 2,4 GHz est reconnu.
- Si vous souhaitez réinitialiser le Wi-Fi, répétez l'étape (2) puis

- suivez les instructions pour terminer la connexion Wi-Fi.
- Pour déconnecter l'appareil du réseau Wi-Fi, appuyez sur le bouton de réinitialisation du robot et maintenez-le enfoncé pendant 3 secondes.
- Le logiciel d'application étant soumis à des mises à jour, les opérations réelles peuvent donc différer des instructions de ce manuel. Veuillez suivre les instructions selon la version actuelle de l'application.

5. Connecter le robot à la station d'accueil

Placez le robot sur la station d'accueil avec le module de serpillière orienté vers la planche à laver. Une notification vocale est émise lorsque le robot est bien connecté à la station d'accueil. Une fois le robot complètement chargé, les indicateurs d'état sur le robot et sur la station d'accueil resteront allumés pendant 10 minutes, puis diminueront en luminosité.

Remarque : Il est conseillé de charger complètement le robot avant la première utilisation. Quand le robot ne peut pas être activé lorsque la batterie est déchargée, connectez manuellement le robot à la station pour le recharger.

6. Ajouter la solution de nettoyage (section Liquide de nettoyage)

AVERTISSEMENT : Pour réduire les risques de départ de feu et de choc électrique liés à la détérioration des composants internes, utilisez uniquement le liquide de nettoyage Dreame Trading (Tianjin) Co., Ltd. (pour le Dreame L60 Ultra), destiné à être utilisé avec cet appareil.

- (1) Retirez le couvercle du réservoir à poussière et sortez le module de distributeur automatique de solution.
- (2) Ouvrez le couvercle supérieur du module et

ajoutez la solution de nettoyage.
(3) Fermez le couvercle du module, remettez-le dans la station d'accueil, puis replacez le couvercle du réservoir à poussière. La solution de nettoyage sera automatiquement ajoutée pendant le fonctionnement.

Remarque :

- Le module de distributeur automatique de solution peut être rempli de solution de nettoyage pour l'utilisation. N'ajoutez aucun autre liquide que la solution de nettoyage officiellement approuvée afin d'éviter tout dysfonctionnement.
- Installez le module de distributeur automatique de solution en veillant à bien l'engager.

7. Verser l'eau dans le réservoir d'eau propre

Retirez le réservoir d'eau propre de la station d'accueil et remplissez-le d'eau propre. Puis remettez-le en place dans la station d'accueil.

Remarque : Ne versez pas d'eau chaude dans le réservoir d'eau car cela peut le déformer.

Fig. C-1-Fig. C-7

D Mode d'emploi

Allumer/Éteindre

Appuyez sur le bouton d'alimentation du robot et maintenez-le enfoncé pendant 3 secondes pour l'allumer. L'indicateur d'état reste allumé. Ou, placez le robot sur la station d'accueil en alignant les contacts de charge du robot avec ceux de la station. Le robot s'allumera automatiquement

pour commencer la charge. Pour éteindre le robot, éloignez-le de la station d'accueil et maintenez le bouton d'alimentation enfoncé pendant 3 secondes.

Cartographie rapide

Après avoir configuré le réseau pour la première fois, suivez les instructions de l'application pour créer rapidement une carte. Le robot commencera à cartographier sans nettoyage. Lorsque le robot retourne à la station d'accueil, le processus de cartographie est terminé et la carte sera automatiquement enregistrée.

Pause/Veille

Lorsque le robot fonctionne, appuyez sur n'importe quel bouton pour le mettre en pause. Si le robot est mis en pause pendant plus de 10 minutes, il passe automatiquement en mode Sommeil. Tous les indicateurs sur le robot s'éteindront. Appuyez sur n'importe quel bouton du robot, ou utilisez l'application pour réactiver le robot.

Remarque : Si le robot est en pause et placé sur la station d'accueil, le processus de nettoyage en cours prendra fin.

Reprise automatique du nettoyage

Si la batterie est trop faible, le robot retournera automatiquement à la station d'accueil pour se recharger. Une fois la batterie chargée au niveau approprié, il reprendra les tâches de nettoyage inachevées.

Remarque : Pour utiliser cette fonction, veuillez l'activer dans l'application.

Mode « Ne pas déranger (DND) »

Lorsque le robot est réglé sur le mode « Ne pas déranger (DND) », il lui sera impossible de reprendre le nettoyage. Le mode DND est désactivé par défaut à l'usine. Vous pouvez utiliser l'application pour activer le mode DND ou modifier la période DND. La plage horaire par défaut du mode « ne pas déranger » DND est de 22h00 à 8h00.

Remarque :

- Les tâches de nettoyage planifiées seront effectuées pendant la période DND.
- Le robot reprendra le nettoyage là où il s'est arrêté à la fin de la période DND.

Redémarrage du robot

Si le robot ne répond plus ou ne peut pas être éteint, appuyez sur le bouton d'alimentation et maintenez-le enfoncé pendant 10 secondes pour forcer l'arrêt. Ensuite, appuyez sur le bouton d'alimentation et maintenez-le enfoncé pendant 3 secondes pour allumer le robot.

Aspiration et nettoyage

Remarque : Une fois les unités de serpillière installées, le robot fonctionnera par défaut en mode « Aspiration et nettoyage » lors de sa première utilisation. Pour ajuster le mode de nettoyage, accédez aux paramètres du mode de nettoyage dans l'application et sélectionnez l'une des trois options supplémentaires suivantes :

- ① Lavage après aspiration
- ② Aspiration
- ③ Lavage

1. Commencer le nettoyage

Appuyez sur le bouton d'alimentation du robot ou utilisez l'application pour le faire démarrer à partir de la station d'accueil. Ensuite, le robot planifiera l'itinéraire de nettoyage optimal et effectuera la tâche de nettoyage en fonction de la carte créée.

Remarque :

- Pour s'assurer que le robot retourne facilement à la station d'accueil après le nettoyage, il est recommandé de faire démarrer le robot à partir de la station d'accueil.
- Les serpillières seront nettoyées avant que le robot ne commence à nettoyer, veuillez patienter.
- Ne déplacez pas la station d'accueil, le réservoir d'eau propre, le réservoir d'eau usagée ou le filtre de la planche à laver pendant toute utilisation.
- Pour éviter les brûlures, ne touchez pas la sortie d'eau ou le module de chauffage lorsque la station d'accueil est en fonctionnement.

2. Lavage automatique des serpillières

Lors du nettoyage, le robot retournera automatiquement à la station d'accueil pour laver les serpillières en fonction de la fréquence de nettoyage spécifiée des serpillières dans l'application. La station d'accueil remplira automatiquement la boîte d'eau propre du robot et le robot reprendra le nettoyage.

3. Vider automatiquement le bac à poussière, puis laver et sécher les serpillières

Une fois que le robot a terminé une tâche de nettoyage et retourne à la station d'accueil pour se recharger, la station d'accueil commencera automatiquement à vider le bac à poussière, puis nettoiera et séchera les serpillières.

Remarque :

- Si la fonction de vidage automatique est désactivée dans l'application, la station d'accueil ne videra pas automatiquement le bac à poussière.
- La station d'accueil videra le bac à poussière en fonction du réglage défini dans l'application.

4. Nettoyage du réservoir d'eau usagée

Une fois que le robot a terminé sa tâche, veuillez nettoyer le réservoir d'eau usagée pour éviter toute odeur.

E Entretien de routine

Pièces

Pour maintenir le robot en bon état, il est recommandé de se référer à l'utilisation des accessoires dans l'application ou au tableau suivant pour l'entretien de routine.

Pièce	Fréquence d'entretien	Période de remplacement
Réservoir d'eau usagée	Après chaque utilisation	/
Réservoir d'eau propre	Une fois toutes les 2 semaines	
Brosses principales		Tous les 6 à 12 mois
Filtre du bac à poussière		Tous les 3 à 6 mois
Brosse latérale		/
Plateaux de serpillière		
Filtre de la planche à laver		
Module de chauffage de planche à laver	Une fois tous les 6 mois	
Zone d'émission du signal de la station d'accueil	Une fois par mois	/
Contacts de charge		
Événements de vidage automatique		
Roue omnidirectionnelle		
Capteur de bord		
Capteur à ultrasons		

Pièce	Fréquence d'entretien	Période de remplacement	
Capteurs de vide	Une fois par mois	/	
Fenêtre du pare-chocs			
Pare-chocs			
Entrée d'eau de remplissage automatique du robot			
Dessous du robot			
Bac à poussière	Nettoyez au besoin		
Roues principales			
Roues d'escalade auxiliaire			
Sac à poussière	/		Tous les 2 à 4 mois
Serpillières			Tous les 1 à 3 mois

Remarque : La fréquence d'entretien et de remplacement dépend de l'utilisation. Si une exception se produit en raison de circonstances particulières, les pièces doivent être entretenues ou remplacées.

Filtre de la planche à laver

- Sortez le robot et retirez le filtre de la planche à laver après la fin du nettoyage de la serpillière.

Remarque : Le module de chauffage de la planche à laver peut conserver une chaleur résiduelle. Pour éviter les brûlures, soyez prudent lorsque vous retirez le filtre de la planche à laver.


- Rincez le filtre de la planche à laver à l'eau propre, essuyez-le et réinstallez-le sur la planche à laver.
- Utilisez l'application ou appuyez sur le bouton  pour ramener le robot à la station d'accueil, ou remplacez le robot manuellement.

Fig. E-1

Module de chauffage de planche à laver

Au cours de l'utilisation, le module de chauffage de planche à laver peut s'entartrer. Pour l'enlever, retirez le robot, versez une petite quantité de vinaigre blanc (5 % d'acide acétique) sur la surface du module de chauffage et nettoyez-le avec un outil approprié.

Remarque :

- Pour éviter les brûlures, attendez que la surface du module de chauffage refroidisse à la température ambiante avant de le nettoyer.
- Un détartrant approprié peut également être utilisé conformément aux instructions fournies.
- N'ajoutez pas de vinaigre blanc ou de détartrant directement dans le réservoir d'eau propre afin d'éviter tout dysfonctionnement.
- N'utilisez pas d'outils tranchants ou de liquides corrosifs tels que l'acide chlorhydrique pour nettoyer le module de chauffage.

Fig. E-2

Sac à poussière

- Retirez le couvercle du réservoir à poussière et jetez le sac à poussière.

Remarque : Tirez vers le haut sur la poignée pour verrouiller le sac et empêcher la poussière et les débris de tomber accidentellement.

- Retirez la poussière et les débris du filtre avec un chiffon sec.
- Installez un nouveau sac à poussière.
- Réinstallez le couvercle du réservoir à poussière.

Fig. E-3

Réservoir d'eau usagée

- Retirez le réservoir d'eau usagée, enlevez son couvercle et évacuez l'eau sale.
- Rincez le réservoir d'eau usagée à l'eau claire et utilisez un outil approprié pour nettoyer la paroi intérieure du réservoir d'eau usagée.

Remarque : La bille flottante dans le réservoir d'eau usagée est une pièce mobile. N'appliquez pas une force excessive lorsque vous la nettoyez pour ne pas l'endommager.

Fig. E-4

Brosses principales

- Appuyez sur les clips du capot de la brosse principale pour retirer le capot de la brosse principale et soulevez les brosses pour les retirer du robot.

- Retirez les brosses comme illustré sur la figure. Utilisez un outil approprié pour enlever les poils/cheveux emmêlés dans les brosses. Après le nettoyage, poussez fermement les brosses dans le support de brosse principale jusqu'à ce qu'elles se mettent en place en émettant un clic.

Remarque : Soyez prudent lorsque vous retirez les brosses principales afin d'éviter toute blessure.

- Les flèches sérigraphiées orientées vers le haut, insérez le support de la brosse principale dans les fentes vers le bas et de manière inclinée.
- Alignez l'extrémité avant du capot de la brosse principale avec la fente, insérez-la vers le bas de manière inclinée, puis appuyez dessus pour la mettre en place.

Fig. E-5

Brosse latérale

Dévissez la brosse latérale à l'aide d'un tournevis, retirez les poils de la brosse, puis revissez-la.

Fig. E-6

Roue omnidirectionnelle

Remarque :

- Utilisez un outil tel qu'un petit tournevis pour séparer l'essieu et le pneu de la roue omnidirectionnelle. N'utilisez pas une force excessive.
- Rincez la roue omnidirectionnelle sous l'eau courante et remettez-la après l'avoir complètement séchée.

Fig. E-7

Roues principales et roues agrippantes

1. Tournez la roue d'escalade auxiliaire jusqu'à ce que la flèche « OUT » pointe vers le haut, puis tirez sur la roue.
2. Utilisez un outil approprié pour retirer les cheveux pris dans la roue motrice et la roue d'escalade auxiliaire.
3. Après le nettoyage, tournez la roue motrice jusqu'à ce que les deux flèches soient alignées (voir Figure ①). Avec la flèche « IN » pointée vers le bas, insérez les roues agrippantes droite et gauche jusqu'à ce qu'elles se mettent en place en cliquant. (voir Figure ②).

Fig. E-8

Plateaux de serpillière

Retirez et nettoyez les plateaux de serpillière.

Fig. E-9

Serpillières

Retirez les serpillières des plateaux pour les remplacer.

Fig. E-10

Filtre et bac à poussière

1. Appuyez sur le clip du bac à poussière pour retirer le bac à poussière.

2. Retirez le filtre du bac à poussière et videz le bac. Tapotez doucement le panier du filtre pour enlever la saleté.

Remarque : N'essayez pas de nettoyer le filtre avec une brosse, les doigts ou des objets pointus pour éviter de l'endommager.

3. Rincez le bac à poussière et le filtre à l'eau et séchez-les complètement avant de les réinstaller.

Remarque :

- Rincez le bac à poussière et le filtre uniquement à l'eau claire. N'utilisez aucun détergent.
- Utilisez le bac à poussière et le filtre uniquement lorsqu'ils sont complètement secs.

Fig. E-11

Capteurs de robot

Essayez les capteurs du robot à l'aide d'un chiffon doux et sec, comme illustré dans la figure :

1. Fenêtre du pare-chocs
2. Capteur de bord
3. Pare-chocs
4. Capteurs de vide
5. Capteur à ultrasons

Remarque : Un chiffon humide peut endommager les éléments sensibles dans le robot et la station d'accueil. Veuillez utiliser un chiffon sec pour le nettoyage.

Fig. E-12

Événements de vidange automatique, les contacts de charge et la zone d'émission du signal

Nettoyez les événements de vidange automatique, les contacts de charge et la zone d'émission du signal avec un chiffon doux et sec.

Fig. E-13

Batterie


Le robot contient une batterie lithium-ion haute performance. Assurez-vous que la batterie reste bien chargée pour une utilisation quotidienne afin de maintenir les performances optimales de la batterie. Si le robot n'est pas utilisé pendant une longue période, éteignez-le et rangez-le. Pour éviter tout risque de dommages lié à une décharge excessive, rechargez le robot au moins une fois tous les trois mois.

Dépannage

Problème	Solution
Le robot ne s'allume pas.	<ul style="list-style-type: none"> La batterie est faible. Rechargez le robot sur la station d'accueil et réessayez. La température de la batterie est trop basse ou trop élevée. Il est recommandé d'utiliser le robot dans des environnements dont la température ambiante est supérieure à 0 °C (32 °F) et inférieure à 40 °C (104 °F).
Le robot ne se recharge pas.	<ul style="list-style-type: none"> La station d'accueil n'est pas connectée à l'alimentation, veuillez vous assurer que les deux extrémités de son cordon d'alimentation sont correctement branchées. Le contact entre les contacts de charge sur la station d'accueil et le robot est défaillant, veuillez nettoyer les contacts de charge. Vérifiez la présence d'objet étranger au niveau des connecteurs du robot et retirez-le le cas échéant.
Le robot ne se connecte pas au réseau Wi-Fi.	<ul style="list-style-type: none"> Le mot de passe du réseau Wi-Fi n'est pas correct. Assurez-vous que le mot de passe utilisé pour vous connecter à votre réseau Wi-Fi est correct. Le robot ne prend pas en charge la connexion Wi-Fi 5 GHz. Assurez-vous que le robot est connecté à une connexion Wi-Fi 2,4 GHz. Le signal Wi-Fi est faible. Assurez-vous que le robot se trouve dans une zone avec une bonne couverture Wi-Fi. Le robot peut ne pas être prêt à être configuré. Veuillez quitter et rouvrir l'application, puis essayez à nouveau comme indiqué.

Problème	Solution
Le robot ne peut pas trouver la station d'accueil et y retourner.	<ul style="list-style-type: none"> L'itinéraire pour revenir se recharger est bloqué, par ex. la porte est fermée. La station d'accueil est déconnectée de l'alimentation ou déplacée lorsque le robot n'est pas dessus. Veuillez connecter la station d'accueil à l'alimentation électrique ou placer le robot sur la station d'accueil pour le charger. Il y a trop d'obstacles autour de la station d'accueil. Placez la station d'accueil dans une zone plus dégagée. Tout déplacement du robot peut entraîner son repositionnement, il recréera alors une carte s'il n'est pas correctement repositionné. Si le robot est trop éloigné de la station d'accueil, il peut ne pas revenir automatiquement à la station d'accueil lui-même, auquel cas vous devrez manuellement placer le robot sur la station d'accueil. Essuyez la zone d'émission du signal sur la station d'accueil pour éliminer la poussière ou les débris.
Le robot reste bloqué devant la station d'accueil et ne peut pas retourner vers elle.	<ul style="list-style-type: none"> Vérifiez qu'il y a suffisamment d'espace des deux côtés ou devant la station d'accueil pour éviter que le robot ne soit bloqué. Le robot peut glisser si le sol devant la station d'accueil est trop humide. Dans ce cas, nettoyez l'excès d'eau avant de réessayer. Il est recommandé de déplacer la station d'accueil dans un autre endroit et réessayez. Assurez-vous que la plaque d'extension de rampe est correctement installée.
Le robot ne s'éteint pas.	<ul style="list-style-type: none"> Le robot ne peut pas être désactivé lorsqu'il se recharge. Il est recommandé de déplacer le robot de la station d'accueil, puis d'appuyer sur le bouton d'alimentation et le maintenir enfoncé pendant 3 secondes pour l'éteindre. Si le robot ne peut pas être éteint en effectuant l'étape 1, appuyez sur le bouton d'alimentation et maintenez-le enfoncé pendant 10 secondes pour forcer l'arrêt. Si le problème persiste, contactez le service après-vente.

Dépannage

Problème	Solution
La vitesse de charge est lente.	<ul style="list-style-type: none"> Il faut environ 3,5 heures pour charger complètement le robot lorsque sa batterie est faible. Si vous utilisez le robot à des températures en dehors de la plage indiquée, la vitesse de charge ralentira automatiquement pour prolonger l'autonomie de la batterie. Les contacts de charge sur le robot et la station d'accueil peuvent être sales, veuillez les essuyer avec un chiffon sec.
Le bruit augmente lors du fonctionnement du robot.	<ul style="list-style-type: none"> Vérifiez si le filtre du bac à poussière est bouché. Si c'est le cas, nettoyez-le ou remplacez-le. Un objet est peut-être coincé dans les brosses principales ou le bac à poussière. Vérifiez et retirez l'objet. Les brosses principales ou la brosse latérale sont peut-être bloquées. Vérifiez et retirez tous les objets étrangers. Passer le mode d'aspiration sur Standard ou Silencieux.
Le robot se déplace sans suivre l'itinéraire défini.	<ul style="list-style-type: none"> Les objets tels que cordons d'alimentation et pantoufles doivent être rangés avant d'utiliser le robot. Les surfaces mouillées et glissantes peuvent faire patiner la roue motrice. Il est recommandé de sécher les endroits humides avant d'utiliser le robot. Essuyez la fenêtre du pare-chocs sur le robot avec un chiffon propre et doux pour les maintenir propres et dégagés.
Le robot n'a pas trouvé les pièces à nettoyer.	<ul style="list-style-type: none"> Assurez-vous que la porte de chaque pièce à nettoyer est ouverte. La zone devant la pièce à nettoyer est peut-être glissante et mouillée, et le robot glisse et ne fonctionne pas normalement. Séchez le sol avant d'utiliser le robot.
Le robot ne reprend pas le nettoyage après la recharge.	<ul style="list-style-type: none"> Assurez-vous que le robot n'est pas programmé sur le mode « Ne pas déranger (DND) », ce qui peut empêcher de reprendre le nettoyage. Le robot ne reprendra pas le nettoyage après avoir été placé manuellement sur la station d'accueil ou avoir envoyé le robot se recharger via l'application ou le bouton .

Problème	Solution
La station ne vide pas automatiquement le bac à poussière.	<ul style="list-style-type: none"> Vérifiez si le sac à poussière dans le réservoir à poussière est plein. Si le sac à poussière n'est pas plein, vérifiez si les événements de vidage automatique du robot, de la station d'accueil ou du bac à poussière ne sont pas obstrués. Si c'est le cas, dégagez la pièce bloquée.
Le niveau d'eau dans la planche à laver est anormal.	<ul style="list-style-type: none"> Vérifiez si le joint sur le réservoir d'eau usagée est desserré ou mal installé, et fixez-le à nouveau manuellement le cas échéant. Si le problème persiste, contactez l'équipe de service après-vente. Enfoncez légèrement le réservoir d'eau usagée pour vous assurer qu'il est correctement installé. Retirez le filtre de la planche à laver et vérifiez si le tuyau d'eau sale est bouché, et nettoyez-le. Vérifiez la solution de nettoyage. N'ajoutez pas de liquide autre que la solution de nettoyage approuvée.
Le plateau de serpillière ne se soulève pas normalement.	<ul style="list-style-type: none"> Veuillez retirer le plateau de serpillière pour vérifier la présence d'objet étranger coincé à l'intérieur, et essayer de redémarrer le robot. Si le problème persiste, contactez l'équipe de service après-vente.
De l'eau est présente sous le réservoir d'eau propre ou autour du joint d'étanchéité.	<ul style="list-style-type: none"> Lorsque vous retirez le réservoir d'eau propre, de l'eau contenue dans le tuyau peut être présente sous le réservoir ou autour du joint d'étanchéité. Cela est normal. Veuillez essuyer à l'aide d'un chiffon sec.

Pour obtenir des services supplémentaires, veuillez nous contacter à l'adresse suivante : support.na@dreame.tech
Tél. : +1 (866) 977-5177

Caractéristiques techniques

Robot

Modèle	RPL51FE0
Temps de charge	Environ 3,5 h
Tension nominale	14,4 V ---
Puissance nominale	75 W
Fréquence de fonctionnement	2400-2483,5 MHz
Puissance de sortie maximale	< 20 dBm

Dans des conditions normales d'utilisation, cet équipement doit être maintenu à une distance d'au moins 8" (20 cm) cm entre l'antenne et le corps de l'utilisateur.

Station d'accueil

Modèle	RCLE0101C
Entrée nominale	120 V ~ 60 Hz 4,1 A (pendant le dépeussierage)
Sortie nominale	20 V DC, 2 A
Puissance nominale (pendant le nettoyage à l'eau chaude)	750 W

Remarque : La puissance nominale (pendant le nettoyage à l'eau chaude) est déterminée par la valeur de puissance pendant la période représentative (température de l'eau à 25 °C/77 °F).

Información de seguridad

INSTRUCCIONES IMPORTANTES DE SEGURIDAD

Cuando utiliza un aparato eléctrico, siempre debe seguir las precauciones básicas, incluidas las siguientes:

LEA TODAS LAS INSTRUCCIONES ANTES DE USAR (ESTE APARATO), El incumplimiento de las advertencias e instrucciones puede provocar descarga eléctrica, incendio y/o lesiones graves.

ADVERTENCIA—Para reducir el riesgo de incendio, descarga eléctrica o lesiones:

- No lo utilice al aire libre o sobre superficies mojadas.
- No permita que se utilice como un juguete. Debe prestar mucha atención cuando se utiliza cerca de niños, mascotas o plantas.
- Use únicamente como se describe en este manual. Sólo utilice los accesorios recomendados por el fabricante.
- No lo utilice con el cable o enchufe dañado. Si el aparato no funciona correctamente, se ha caído, dañado, dejado al aire libre o sumergido en agua, remítalo a un centro de servicio.
- No tire ni transporte agarrando el cable, no use el cable como asa, no cierre puertas

Información de seguridad

encima del cable ni pase el cable por bordes o esquinas afiladas. No pase el aparato por encima del cable. Mantenga el cable alejado de superficies calientes.

- No desenchufe tirando del cable. Para desenchufar, agarre el enchufe, no el cable.
- No manipule la base de carga, incluido el enchufe del cargador, ni los terminales del cargador con las manos mojadas.
- No coloque ningún objeto en las aberturas. No lo utilice si tiene alguna abertura bloqueada; manténgalo libre de polvo, pelusas, cabello y cualquier material que pueda reducir el flujo de aire.
- Mantenga el cabello, la ropa holgada, los dedos y todas las partes del cuerpo alejados de las aberturas y las piezas móviles.
- Apague todos los controles antes de desenchufar.
- No lo use para limpiar líquidos inflamables o combustibles, como gasolina, ni lo use en zonas donde puedan estar presentes.
- Conéctelo únicamente a un tomacorriente correctamente puesta a tierra. Consulte las instrucciones de puesta a tierra.
- No limpie nada que se esté quemando o humeando, como cigarrillos, cerillas o cenizas calientes.
- Para reducir el riesgo de incendio y descarga eléctrica por daños en los componentes internos, use solo el detergente líquido de Dreame Trading (Tianjin) Co., Ltd. diseñado para uso de este electrodoméstico. Consulte la sección Detergente Líquido de este manual.
- No lo utilice sin la bolsa para el polvo.
- Evite el encendido involuntario. Asegúrese de que el interruptor esté apagado antes de conectarlo a la batería, levantarlo o transportarlo. Transportar el aparato con el dedo apoyado en el interruptor o

Información de seguridad

energizar el aparato con el interruptor encendido puede causar accidentes.

- No utilice ni guarde el aparato en ambientes extremadamente calientes o fríos (debajo de 0°C /32°F o por encima de 40°C /104°F). Cargue el robot a una temperatura por encima de 0°C /32°F y 40°C /104°F.
- Desconecte la batería del aparato antes de realizar cualquier ajuste, cambiar accesorios o almacenar el aparato. Estas medidas preventivas de seguridad reducen el riesgo de encender por accidente el aparato.
- Recargue sólo con el cargador especificado por el fabricante. Un cargador adecuado para un tipo de batería puede provocar riesgo de incendio si se utiliza en otra batería.
- Use sus aparatos sólo con las baterías específicamente indicadas. El uso de cualquier otra batería puede provocar riesgo de lesiones e incendio.
- Cuando la batería no esté en uso, manténgala alejada de objetos metálicos, como clips de papel, monedas, llaves, clavos, tornillos u otros objetos metálicos pequeños que pueden provocar la conexión de los terminales. Un cortocircuito en los terminales de la batería puede provocar quemaduras o incendios.
- Bajo condiciones abusivas, puede haber fugas de líquido en la batería; evite el contacto. Si ocurre contacto accidental, enjuague con agua. Si el líquido entra en contacto con los ojos, busque atención médica. El líquido derramado de la batería puede provocar irritación o quemaduras.
- No utilice una batería o un aparato dañado o modificado. Las baterías dañadas o modificadas pueden tener un comportamiento impredecible que resulte en fuego, explosión o lesiones.
- No exponga una batería o un aparato al fuego ni a temperaturas excesivas. La exposición al fuego o una temperatura superior a 130°C /266°F puede provocar explosiones.

Información de seguridad

- Siga todas las instrucciones de carga y no cargue la batería o el aparato fuera del rango de temperatura indicado en las instrucciones. La carga incorrecta o a temperaturas fuera del rango indicado puede dañar la batería y aumentar el riesgo de incendio.
- Remita el servicio a un técnico calificado que utilice únicamente idénticas piezas de repuesto. Esto asegurará que se mantenga la seguridad del producto.
- No modifique ni intente reparar el aparato o la batería, excepto de la forma indicada en las instrucciones de uso y cuidado.
- Coloque los cables de otros aparatos fuera de la zona que va a limpiar.
- No opere la aspiradora en una habitación en la que duerme un bebé o un niño.
- No opere la aspiradora en una zona con velas encendidas u objetos frágiles en el suelo.
- No opere la aspiradora en una habitación con velas encendidas encima de aquellos muebles que la aspiradora pueda golpear accidentalmente.
- No permita que los niños se sienten encima de la aspiradora.
- No utilice la aspiradora sobre superficies húmedas.
- Usar sólo con la unidad de alimentación RCLE0101C.
- Riesgo de lesiones. El cepillo puede comenzar a trabajar inesperadamente. Apague el aparato y quite el cepillo antes de limpiarlo o repararlo.
- Desenchúfelo antes de limpieza o mantenimiento.

Información de seguridad

GUARDE ESTAS INSTRUCCIONES

Solo para uso doméstico.

---	Corriente continua
~	Corriente alterna

I : ENCENDIDO

O : APAGADO

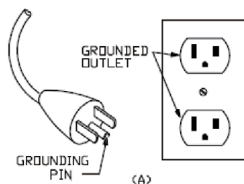
INSTRUCCIONES DE PUESTA A TIERRA

Este aparato debe estar conectado a tierra. Si funciona mal o se avería, la conexión a tierra proporciona una ruta de menor resistencia para la corriente eléctrica para reducir el riesgo de descarga eléctrica. Este aparato está equipado con un cable que tiene un conductor de puesta a tierra y un enchufe con puesta a tierra. El enchufe debe insertarse en un tomacorriente apropiado que esté correctamente instalado y conectado a tierra de acuerdo con todos los códigos y ordenanzas locales.

ADVERTENCIA: la conexión incorrecta del conductor de puesta a tierra puede provocar un riesgo de descarga eléctrica. Consulte a un electricista calificado o una persona de servicio

Información de seguridad

si tiene dudas sobre si el tomacorriente está correctamente conectado a tierra. No modifique el enchufe provisto con el aparato; si no encaja en el tomacorriente, invite a un electricista cualificado a instalar un tomacorriente adecuado. Este aparato es diseñado para usarse en un circuito nominal de 120V y tiene un enchufe de puesta a tierra que se parece al enchufe que se ilustra a continuación. Asegúrese de que el aparato esté conectado a un tomacorriente que tenga la misma configuración que el enchufe. No se debe usar ningún adaptador con este aparato.



SEGURIDAD DEL LÁSER

Producto láser clase 1, Cumple con FDA 21 CFR 1040.10 y 1040.11 excepto con respecto a la conformidad con IEC 60825-1 Ed.3., según se describe en el Aviso de láser 56, fechado el 8 de mayo de 2019.

Información de seguridad

MODO DE AHORRO DE ENERGÍA

Para activar el modo de ahorro de energía, coloque el robot en la estación de base y asegúrese de que se esté cargando. Luego, presione y mantenga pulsado el botón de Estacionar (Dock) del robot mientras pulsa dos veces rápidas el botón de encendido hasta que se apagan todos los indicadores.

En el modo de ahorro de energía, el consumo de energía se minimiza deshabilitando en módulo Wi-Fi y todas las demás funciones que no se relacionan con la carga.

Para desactivar el modo de ahorro de energía, presione el botón de encendido en el robot hasta que se enciendan todos los indicadores.

Información de FCC

Este dispositivo cumple con la Parte 15 de la Normativa FCC / RSS exentos de licencia de Canadá para la innovación, la ciencia y el desarrollo económico. Su operación queda sujeta a las dos condiciones siguientes: (1) este dispositivo no deberá causar ninguna interferencia nociva. (2) este dispositivo deberá aceptar cualquier interferencia que reciba, incluyendo toda interferencia que pueda causarle un funcionamiento no deseado.

Cambios o modificaciones no aprobados expresamente por la parte responsable del cumplimiento podrían anular la autoridad del usuario para operar el equipo.

Este equipo ha sido probado y se ha determinado que cumple con los límites para un dispositivo digital de Clase B, de conformidad con la parte 15 de las Reglas de la FCC. Estos límites están diseñados para brindar una protección razonable contra interferencias dañinas en un edificio residencial. Este equipo genera usos y puede irradiar energía de radiofrecuencia y, si no se instala o utiliza de acuerdo con las instrucciones, puede causar interferencias dañinas en las comunicaciones por radio. Sin embargo, no hay garantía de que no se produzcan interferencias en una instalación en particular. Si este equipo causa interferencias dañinas en la recepción de radio o televisión, lo que se puede determinar con apagar y encender el equipo, se recomienda al usuario que intente corregir la interferencia mediante una o más de las siguientes medidas:

- Reorientar o reubicar la antena receptora.
- Aumentar la separación entre el equipo y el receptor.
- Conectar el equipo a una toma de un circuito diferente al que está conectado el receptor.
- Consultar al distribuidor o a un técnico experimentado con radio/TV para obtener ayuda.

Información de FCC


Recordatorio en relación con la máxima exposición admisible (MPE)

A fin de cumplir con los requisitos de FCC / IC en materia de exposición a la radiofrecuencia, se deberá mantener una distancia mínima de 8" (20 cm) o más entre la antena de este dispositivo y cualquier persona durante el funcionamiento.

A fin de garantizar dicho cumplimiento, no se recomienda la utilización a una distancia inferior a la indicada.

A Descripción del producto

Robot

- Botón de estacionar 
 - Presione para enviar el robot de regreso a la estación de base
 - Presione y mantenga pulsado durante 3 segundos para deshabilitar el bloqueo infantil
- Botón de encendido/limpieza
 - Presione y mantenga pulsado durante 3 segundos para encender o apagar
 - Presione para iniciar la limpieza después de encender el robot

Indicador de estado del botón

- Blanco sólido: Limpieza o aseo completado
- Respiración blanca: Cargando (no tiene batería baja)
- Naranja sólido: En espera con batería baja o pausado con batería baja
- Respiración naranja: Cargando (batería baja)
- Naranja parpadeante: Error

Nota:

- Presione cualquier botón en el robot para hacer una pausa mientras el robot está limpiando o retornando a cargar.
- El bloqueo infantil se puede habilitar/deshabilitar a través de la App Dreamehome.

- Cámara HD de IA
- Luz LED auxiliar
- Módulo ToF 3D
- Micrófonos
- Parachoques
- Ventana del parachoques

- Botón de reinicio
 - Presione y mantenga pulsado durante 3 segundos para restaurar la configuración de fábrica
- Indicador de Wi-Fi
- Cubierta
- Rejilla de ventilación de vaciado automático
- Sensor de bordes
- Contactos de carga
- Entrada de recarga automática de agua
- Conectores
- Sensores de caída
- Sensor de alfombra
- Conjunto de extensión del cepillo lateral
- Cepillos principales
- Rueda de escalada auxiliar
- Rueda principal
- Conjunto de MopExtend
- Rueda omnidireccional
- Protector del cepillo
- Rueda de escalada auxiliar
- Rueda principal
- Cliques del protector del cepillo
- Orificios de montaje del soporte de la almohadilla de trapeador

Fig. A-1

Caja de polvo

- Rejilla de ventilación de vaciado automático
- Filtro
- Clip de la caja de polvo
- Clip del filtro

Fig. A-2

Conjunto del trapeador

- Área de fijación de la almohadilla de trapeador
- Soporte de la almohadilla de trapeador
- Almohadilla de trapeador

Fig. A-3

Estación de base

- Cubierta
- Tanque de agua usada
- Tanque de agua limpia
- Cubierta del tanque de polvo
- Tabla de lavar
- Filtro de la tabla de lavar
- Módulo de calentamiento
- Placa de extensión de rampa
- Clip del tanque de agua
- Bola flotante
- Clip del tanque de agua
- Tubería de agua
- Filtro
- Flotador
- Módulo dispensador de solución automático—un solo compartimento
- Filtro
- Rejillas de ventilación de vaciado automático
- Zona de señalización
- Indicador de estado
 - Blanco sólido: La estación de base está conectada a la red eléctrica
 - Naranja sólido: La estación de base tiene un error
- Ranura para la bolsa de polvo
- Contactos de carga

22. Salida automática de adición de agua
 23. Ranura reservada para conectar el equipo de conexión de agua para recarga automática y drenaje

Nota: El kit de conexión de agua para recarga automática y drenaje se vende por separado. (Disponible solo en regiones específicas)

24. Puerto de energía
 25. Ranura de almacenamiento para el cable de alimentación

Fig. A-4

B Cómo preparar su hogar

1. Antes de limpiar, por favor, mueva del camino todos los objetos inestables, frágiles, de valor o peligrosos y retire los cables, prendas, juguetes, objetos duros y con punta que estén en el suelo para evitar que se enreden, sean raspados o golpeados por el robot y se causen daños.
2. Antes de limpiar, coloque una barrera física en el borde de las escaleras para garantizar el funcionamiento seguro y sin problemas del robot.
3. Abra la puerta de la habitación a limpiar y coloque los muebles en su lugar adecuado para dejar más espacio.
4. Para evitar que el robot no reconozca las áreas que necesitan ser limpiadas, no se pare frente al robot, umbral, pasillo o lugares estrechos.

Nota:

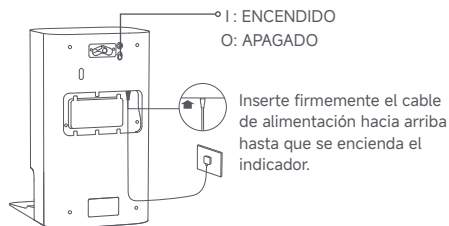
- Cuando se opere el robot por primera vez, sígalo mientras limpia para remover cualquier posible obstáculo oportunamente.
- La luz LED auxiliar proveerá iluminación auxiliar en ambientes poco iluminados.
- No aspire objetos duros como piedras, bolas de acero y partes de juguetes, u objetos con punta como desechos de construcción, vidrios rotos o uñas, de lo contrario, el suelo puede rayarse.

Fig. B

C Antes de usar

1. Coloque la estación de base y conéctela a un tomacorriente

Coloque la estación de base en un lugar lo más abierto posible con una buena señal Wi-Fi. Deje suficiente espacio como se muestra en la figura y retire cualquier objeto en el área sombreada. Inserte el cable de alimentación en la estación de base y conéctelo a la toma de corriente.



Nota:

- Asegúrese de que ningún objeto pueda bloquear la zona de señalización.
- Para evitar que manchas de agua humedezcan los pisos de madera o alfombras, se recomienda colocar la estación de base sobre pisos de baldosa o de mármol.

2. Instale la placa de extensión de rampa

Nota:

- Asegúrese de que el filtro de la tabla de lavar esté instalado en su lugar antes de usar.
- El filtro de la tabla de lavar se puede retirar para limpiarlo durante el mantenimiento de rutina.

3. Retire las protecciones del robot e instale el conjunto del trapeador

4. Conéctese con la App Dreamehome

(1) Presione y mantenga pulsado el botón de encendido por 3 segundos para encender el robot.

Escanee el código QR debajo de la cubierta del robot o busque "Dreamehome" en la tienda de aplicaciones para descargar e instalar la App.
 (2) Abra la app Dreamehome, toque "Escanear código QR para conectar" y escanee el mismo código QR de nuevo en el robot para agregar el dispositivo. Por favor siga las indicaciones para finalizar la conexión Wi-Fi.

① Indicador de Wi-Fi

- Parpadeando lentamente: A conectar
- Parpadeando rápidamente: Conectando
- Encendido: Conectado

② Código QR

Nota:

- Solo compatible con Wi-Fi de 2,4 GHz.
- Para restablecer el Wi-Fi, repita el paso (2) y luego siga las

instrucciones para finalizar la conexión Wi-Fi.

- Para desconectar el dispositivo de la red Wi-Fi, mantenga presionado el botón de reinicio en el robot durante 3 segundos.
- Debido a las actualizaciones en el software de la app, las operaciones reales pueden diferir de las instrucciones de este manual. Siga las instrucciones basadas en la versión actual de la app.

5. Conecte el robot a la estación de base

Coloque el robot sobre la estación de base con el conjunto del trapeador mirando hacia la tabla de lavar. Luego oír una notificación de voz cuando el robot se conecta exitosamente a la estación de base. Una vez que el robot esté completamente cargado, los indicadores de estado del robot y de la estación de base permanecerán encendidos durante 10 minutos y luego se atenuarán.

Nota: Se recomienda cargar completamente el robot antes de su primer uso. Cuando el robot no se pueda encender después de agotar la batería, conecte manualmente el robot con la base para cargarlo.

6. Añada la solución de limpieza (Sección de fluido de limpieza)

ADVERTENCIA: Para reducir el riesgo de incendio y descarga eléctrica a causa de daños en componentes internos, use solo el fluido de limpieza (para Dreame L60 Ultra) de Dreame Trading (Tianjin) Co., Ltd. para este aparato.

- (1) Retire la cubierta del tanque de polvo y extraiga el compartimento de detergente automático.
- (2) Abra la tapa superior del módulo y agregue la solución de limpieza.

(3) Cierre la tapa del módulo, vuelva a colocarlo en la estación de base y luego vuelva a instalar la cubierta del tanque de polvo. La solución de limpieza se agregará automáticamente mientras trabaja.

Nota:

- El módulo dispensador automático de solución se puede llenar con la solución de limpieza para su uso. No agregue ningún líquido que no sea la solución de limpieza aprobada oficialmente para ayudar a evitar un mal funcionamiento.
- Instale el módulo dispensador automático de solución hasta que haga clic en el lugar apropiado.

7. Agregue agua al tanque de agua limpia

Saque el tanque de agua limpia de la estación de base y llénelo con agua limpia. Luego instálole de nuevo en la estación de base.

Nota: No agregue agua caliente en el tanque de agua, ya que esto puede causar que el tanque se deforme.

Fig. C-1-Fig. C-7

D Cómo utilizar

Encender/Apagar

Presione y mantenga pulsado el botón de encendido durante 3 segundos para encender el robot. El indicador de encendido permanecerá iluminado. O bien, coloque el robot en la estación de base alineando los contactos de carga del robot con los de la estación de base, y luego el robot se encenderá

automáticamente y comenzará a cargarse. Para apagar el robot, aleje el robot de la estación de base y presione y mantenga pulsado el botón de encendido durante 3 segundos.

Mapeo rápido

Después de configurar la red por primera vez, siga las instrucciones en la app para crear rápidamente un mapa. El robot comenzará a mapear sin limpiar. Cuando el robot regresa a la estación de base, el proceso de mapeo se ha completado y el mapa se guardará automáticamente.

Pausa/Suspensión

Cuando el robot esté funcionando, presione cualquier botón para ponerlo en pausa. Si el robot está en pausa por más de 10 minutos, automáticamente entrará en modo de suspensión. Todos los indicadores del robot se apagarán. Presione cualquier botón sobre el robot, o use la app para despertar al robot.

Nota: Si el robot está en pausa y colocado en la estación de base, la tarea de limpieza actual terminará.

Reanudación automática de la limpieza

Si la batería está demasiado baja, el robot volverá automáticamente a la estación de base para cargarse. Después de cargar al nivel de batería apropiado, reanudará las tareas de limpieza sin terminar.

Nota: Para utilizar esta función, habilítela en la app.

Modo no molestar (DND)

Cuando el robot se pone en modo no molestar (DND), se evitará que el robot reinicie la limpieza. El modo DND está deshabilitado por defecto desde la fábrica. Usted puede usar la app para habilitar el modo DND o modificar el período de DND. El periodo de DND es 22:00-8:00 por defecto.

Nota:

- Las tareas de limpieza programadas se realizarán normalmente durante el periodo DND.
- El robot reanudará la limpieza donde la dejó una vez que expire el período de DND.

Reinicio del robot

Si el robot deja de responder o no se puede apagar, presione y mantenga pulsado el botón de encendido durante 10 segundos para apagarlo a la fuerza. Luego presione y mantenga pulsado el botón de encendido durante 3 segundos para encender el robot.

Aspirar y trapear

Nota: Después de instalar los conjuntos del trapeador, el robot funcionará por defecto en modo "Aspirar y trapear" durante su primer uso. Para ajustar el modo de limpieza, vaya a ajustes del Modo de Limpieza en la app y seleccione entre las siguientes tres opciones adicionales:

- ① Trapear después de aspirar
- ② Aspirar
- ③ Trapear

1. Empezar la limpieza

Presione el botón de encendido en el robot, o use

la app para hacer que el robot arranque desde la estación de base. Luego el robot planificará la ruta óptima de limpieza y ejecutará la tarea de limpieza basándose en el mapa creado.

Nota:

- Para garantizar que el robot regrese fácilmente a la estación de base después de la limpieza, se recomienda hacer que el robot arranque desde la estación de base.
- Las almohadillas de trapeado se limpiarán antes de que el robot empiece a trapear, por favor espere pacientemente.
- No mueva la estación de base, el tanque de agua limpia, el tanque de agua usada ni el filtro de la tabla de lavar durante la operación.
- Para evitar quemaduras, no toque la salida de agua ni el módulo de calentamiento mientras la estación de base esté en operación.

2. Lavado automático de trapeador

Durante la limpieza, el robot retornará automáticamente a la estación de base a lavar las almohadillas de trapeado basándose en la frecuencia de limpieza de la almohadilla de trapeado especificada en la app. La estación de base automáticamente rellenará la caja de agua limpia del robot y este reiniciará la limpieza.

3. Vacía automáticamente la caja de polvo y limpia y seca las almohadillas de trapeado

Después que el robot termina una tarea de limpieza y regresa a la estación de base a cargar, la estación de base vaciará automáticamente la caja de polvo, y luego limpiará y secará las almohadillas de trapeado.

Nota:

- Si la función de vaciado automático está desactivada en la app, la estación de base no vaciará automáticamente la caja de polvo.

- La estación de base vaciará la caja de polvo de acuerdo con la configuración establecida en la app.

4. Limpie el tanque de agua usada

Después de que el robot haya completado su tarea, limpie el tanque de agua usada para evitar cualquier olor.

E Mantenimiento de rutina

Piezas

Para mantener el robot en buenas condiciones, se recomienda consultar el uso de accesorios en la app o la siguiente tabla para el mantenimiento de rutina.

Pieza	Frecuencia de mantenimiento	Periodo de reemplazo
Tanque de agua usada	Después de cada uso	/
Tanque de agua limpia	Una vez cada 2 semanas	
Cepillos principales		Cada 6 a 12 meses
Filtro de la caja de polvo		Cada 3 a 6 meses
Cepillo lateral		/
Soportes de la almohadilla de trapeado		
Filtro de la tabla de lavar	Una vez cada 1 a 2 meses	
Módulo de calentamiento de la tabla de lavar	Una vez cada 6 meses	
Zona de señalización de la estación de base	Una vez al mes	
Contactos de carga		
Rejillas de ventilación de vaciado automático		
Rueda omnidireccional		
Sensor de bordes		
Sensor de alfombra		

Pieza	Frecuencia de mantenimiento	Periodo de reemplazo	
Sensores de caída	Una vez al mes	/	
Ventana del parachoques			
Parachoques			
Entrada de recarga automática de agua del robot			
Parte inferior del robot			
Caja de polvo	Limpiarlo según sea necesario		
Ruedas principales			
Ruedas de escalada auxiliares	/		Cada 2 a 4 meses
Bolsa de polvo			Cada 1 a 3 meses
Almohadillas de trapeado			

Nota: La frecuencia de mantenimiento y reemplazo depende del uso real. Si ocurre una excepción debido a circunstancias especiales, se recomienda un mantenimiento o reemplazo inmediato.

Filtro de la tabla de lavar

1. Saque el robot y retire el filtro de la tabla de lavar una vez finalizada la limpieza de la almohadilla de trapeado.

Nota: El módulo de calentamiento de la tabla de lavar puede retener calor residual. Para evitar quemaduras, tenga cuidado al retirar el filtro de la tabla de lavar.


2. Enjuague el filtro de la tabla de lavar con agua limpia, límpielo con un paño y luego vuelva a instalarlo en la tabla de lavar.
3. Utilice la app o presione el botón  para que el robot vuelva a la estación de base, o colóquelo en el robot de vuelta de manera manual.

Fig. E-1

Módulo de calentamiento de la tabla de lavar

Durante el uso, el módulo de calentamiento de la tabla de lavar puede acumular cal. Para eliminarlo, saque el robot, vierta una pequeña cantidad de vinagre blanco (ácido acético al 5 %) sobre la superficie del módulo calefactor y límpielo con una herramienta adecuada.

Nota:

- Para evitar quemaduras, espere hasta que la superficie del módulo de calentamiento se enfríe a temperatura ambiente antes de limpiarlo.
- También se puede utilizar un descalcificador adecuado de acuerdo con las instrucciones proporcionadas.
- No agregue vinagre blanco ni descalcificador directamente al tanque de agua limpia para ayudar a evitar un mal funcionamiento.

- No utilice herramientas afiladas ni líquidos corrosivos como ácido clorhídrico para limpiar el módulo de calentamiento.

Fig. E-2

Bolsa de polvo

1. Retire la cubierta del tanque de polvo y deseche la bolsa de polvo.

Nota: Tirar hacia arriba del mango sellará la bolsa para evitar que el polvo y los residuos se salgan accidentalmente.

2. Retire el polvo y los residuos del filtro con un paño seco.
3. Instale una nueva bolsa de polvo.
4. Vuelva a instalar la cubierta del tanque de polvo.

Fig. E-3

Tanque de agua usada

1. Retire el tanque de agua usada, abra su cubierta y vierta el agua usada.
2. Enjuague el tanque de agua usada con agua limpia y utilice una herramienta adecuada para limpiar la pared interior del tanque de agua usada.

Nota: La bola flotante en el tanque de agua usada es una pieza móvil. No aplique demasiada fuerza al limpiarla para evitar dañarla.

Fig. E-4

Cepillos principales

1. Presione los clips del protector del cepillo hacia adentro para retirar el protector del cepillo y luego levante los cepillos para sacarlos del robot.
2. Extraiga los cepillos como lo muestra la figura. Use una herramienta adecuada para retirar cualquier pelo enredado en los cepillos. Después de la limpieza, empuje los cepillos firmemente en el soporte del cepillo principal hasta que encajen en su lugar.

Nota: Tenga cuidado al extraer los cepillos principales para evitar lesiones.

3. Con las flechas serigrafiadas hacia arriba, inserte el soporte del cepillo principal en las ranuras hacia abajo de forma inclinada.
4. Alinee el extremo delantero del protector del cepillo con la ranura, insértelo hacia abajo de manera inclinada y luego presiónelo en su lugar.

Fig. E-5

Cepillo lateral

Desatornille el cepillo lateral con un destornillador, limpie el cabello del cepillo y luego vuelva a atornillarlo.

Fig. E-6

Rueda omnidireccional

Nota:

- Use una herramienta como un destornillador pequeño para separar el eje y el neumático de la rueda omnidireccional. No use una fuerza excesiva.
- Enjuague la rueda omnidireccional bajo el agua corriente y vuelva a colocarla después de secarla por completo.

Fig. E-7

Ruedas de escalada auxiliares y ruedas principales

1. Gire la rueda de escalada auxiliar hasta que la flecha "HACIA AFUERA" mire hacia arriba y luego extraiga la rueda.
2. Utilice una herramienta adecuada para limpiar el cabello enredado en la rueda principal y la rueda auxiliar de escalada.
3. Después de la limpieza, gire la rueda principal para alinear las dos flechas (consulte la Figura ①). Luego, con la flecha "HACIA ADENTRO" hacia abajo, inserte las ruedas de escalada auxiliares izquierda y derecha hasta que encajen en su lugar. (consulte la Figura ②).

Fig. E-8

Soportes de la almohadilla de trapeado

Retire y limpie los soportes de la almohadilla de trapeado.

Fig. E-9

Almohadillas de trapeado

Retire las almohadillas de trapeado de los soportes de la almohadilla de trapeado para reemplazarlas.

Fig. E-10

Caja de polvo y filtro

1. Presione el clip de la caja de polvo para retirarla.
2. Retire el filtro de la caja de polvo y luego vacíe la caja de polvo. Golpee suavemente la canasta del filtro para eliminar la suciedad.

Nota: No intente limpiar el filtro con un cepillo, dedo o cualquier objeto con punta a fin de evitar dañarlo.

3. Enjuague la caja de polvo y el filtro con agua y séquelos completamente antes de volver a instalarlos.

Nota:

- Enjuague la caja de polvo y el filtro solo con agua limpia. No utilice ningún detergente.
- Use la caja de polvo y el filtro solo cuando estén completamente secos.

Fig. E-11

Sensores del robot

Limpie los sensores del robot utilizando un paño suave y seco, como se muestra en la figura:

1. Ventana del parachoques
2. Sensor de bordes
3. Parachoques
4. Sensores de caída
5. Sensor de alfombra

Nota: Un paño húmedo puede dañar elementos sensibles dentro del robot y la estación de base. Utilice un paño seco para la limpieza.

Fig. E-12

Rejillas de ventilación de vaciado automático, contactos de carga y zona de señalización

Limpie las rejillas de ventilación de vaciado automático, los contactos de carga y la zona de señalización con un paño suave y seco.

Fig. E-13

Batería


El robot contiene un paquete de baterías de iones de litio de alto rendimiento. Asegúrese de que la batería permanezca bien cargada para el uso diario para mantener un rendimiento óptimo de la batería. Si el robot no se utiliza durante un largo período de tiempo, apáguelo y guárdelo. Para evitar daños por la sobredescarga, cargue el robot al menos una vez cada tres meses.

Solución de problemas

Problema	Solución
El robot no enciende.	<ul style="list-style-type: none"> • La batería está baja. Recargue el robot en la estación de base y vuelva a intentarlo. • La temperatura de la batería es demasiado baja o demasiado alta. Se recomienda utilizar el robot en entornos con una temperatura ambiente superior a 0 °C (32 °F) e inferior a 40 °C (104 °F).
El robot no carga.	<ul style="list-style-type: none"> • La estación de base no está conectada a la alimentación, asegúrese de que ambos extremos del cable de alimentación estén correctamente enchufados. • El contacto entre los contactos de carga de la estación de base y el robot es deficiente, limpie los contactos de carga. • Compruebe si hay algún objeto extraño en los conectores del robot y retírelo si lo hubiera.
El robot no logra conectarse a Wi-Fi.	<ul style="list-style-type: none"> • La contraseña de la red Wi-Fi es incorrecta. Asegúrese de que la contraseña utilizada para conectarse a su red Wi-Fi sea correcta. • El robot no es compatible con una conexión de Wi-Fi de 5 GHz. Asegúrese que el robot esté conectado a una conexión de Wi-Fi de 2,4 GHz. • La señal Wi-Fi es débil. Asegúrese que el robot esté en una zona con buena cobertura Wi-Fi. • Es posible que el robot no esté listo para ser configurado. Salga y vuelva a ingresar a la app y luego vuelva a intentarlo según las instrucciones.

Problema	Solución
El robot no puede encontrar la estación de base ni regresar a ella.	<ul style="list-style-type: none"> • La ruta para volver a cargar está bloqueada, por ejemplo, la puerta está cerrada. • La estación de base está desconectada de la alimentación o se mueve cuando el robot no está sobre ella. Por favor conecte la estación de base a la alimentación eléctrica o coloque el robot sobre la estación de base para cargar. • Hay demasiadas obstrucciones alrededor de la estación de base. Coloque la estación de base en un área más abierta. • Mover el robot puede provocar que él mismo se reubique y recreará un mapa si falla el reposicionado. Si el robot está muy lejos de la estación de base, podría no ser capaz de regresar por sí mismo, en tal caso se requerirá ponerlo manualmente sobre la estación de base. • Limpie la zona de señalización de la estación de base para eliminar el polvo o los residuos.
El robot se queda atascado delante de la estación de base y no puede volver a ella.	<ul style="list-style-type: none"> • Compruebe si hay suficiente espacio a ambos lados o delante de la estación de base para evitar que el robot quede bloqueado. • El robot puede resbalar si el suelo delante de la estación de base está demasiado mojado. Si es así, limpie el exceso de agua antes de volver a intentarlo. • Se recomienda mover la estación de base a un lugar diferente y volver a intentarlo. • Asegúrese de que la placa de extensión de rampa esté instalada correctamente.
El robot no se apaga.	<ul style="list-style-type: none"> • El robot no se puede apagar mientras se está cargando. Se recomienda mover el robot desde la estación de base y luego presionar y mantener pulsado el botón de encendido durante 3 segundos para apagarlo. • Si el robot no se puede apagar realizando el paso 1, presione y mantenga pulsado el botón de encendido durante 10 segundos para apagar el robot a la fuerza. Si el problema se mantiene, contacte al servicio de post-venta.

Solución de problemas

Problema	Solución
La velocidad de carga es lenta.	<ul style="list-style-type: none"> Se necesitan aproximadamente 3,5 horas para cargar completamente el robot cuando la batería está baja. Si opera el robot a temperaturas fuera del rango especificado, la velocidad de carga se reducirá automáticamente para extender la vida útil de la batería. Los contactos de carga tanto del robot como de la estación de base pueden estar sucios, límpielos con un paño seco.
El ruido aumenta mientras el robot está en funcionamiento.	<ul style="list-style-type: none"> Compruebe si el filtro de la caja de polvo está obstruido. Si es así, límpielo o reemplácelo. Un objeto duro puede estar atrapado en los cepillos principales o en la caja de polvo. Revise y retire cualquier objeto duro. Los cepillos principales o el cepillo lateral pueden quedar enredados. Revise y retire cualquier objeto extraño. Cambie el modo de succión a estándar o silencioso.
El robot se mueve sin seguir la ruta marcada.	<ul style="list-style-type: none"> Se deben organizar objetos como cables de alimentación y zapatillas antes de utilizar el robot. Trabajar sobre superficies húmedas resbalosas ocasiona que la rueda principal se resbale. Se recomienda secar los lugares húmedos antes de usar el robot. Limpie la ventana del parachoques en el robot con un paño limpio, suave para mantenerlos limpios y sin obstrucciones.
El robot pasa por alto las habitaciones que debe limpiar.	<ul style="list-style-type: none"> Asegúrese de que las puertas de las habitaciones a limpiar estén abiertas. El lugar en frente del cuarto a ser limpiado puede estar húmedo y resbaloso, ocasionando que el robot se resbale y trabaje de forma anormal. Por favor trate de secar el piso antes de usar el robot.
El robot no reanuda la limpieza después de cargarlo.	<ul style="list-style-type: none"> Asegúrese de que el robot no esté configurado en el modo No Molestar (DND), lo que evitará que reanude la limpieza. El robot no reiniciará la limpieza después de que usted lo coloque de manera manual en la estación de base o lo envíe a cargar desde la app o con el botón .

Problema	Solución
La estación no puede vaciar automáticamente la caja de polvo.	<ul style="list-style-type: none"> Compruebe si la bolsa de polvo en el tanque de polvo está llena. Si la bolsa de polvo no está llena, compruebe si hay alguna obstrucción en las rejillas de ventilación de vaciado automático del robot, la estación de base o la caja de polvo. Si la hay, limpie la parte bloqueada a tiempo.
El nivel del agua en la tabla de lavar es anormal.	<ul style="list-style-type: none"> Revise si el sello en el tanque de agua usada está flojo o no está correctamente instalado y en tal caso, restablezca esto manualmente. Si el problema se mantiene, contacte al equipo de servicio de post-venta. Oprima suavemente sobre el tanque de agua usada para asegurarse que esté instalado correctamente. Retire el filtro de la tabla de lavar y revise si la salida del drenaje de desecho está obstruida y límpiela. Compruebe la solución de limpieza. No agregue ningún líquido que no sea la solución de limpieza aprobada oficialmente.
El soporte de la almohadilla de trapeado está anormalmente elevado.	<ul style="list-style-type: none"> Por favor retire el soporte de la almohadilla de trapeado para verificar si hay algún objeto extraño atrapado en él y trate de reiniciar el robot. Si el problema se mantiene, contacte al equipo de servicio de post-venta.
Hay agua bajo el tanque de agua limpia o alrededor del sello.	<ul style="list-style-type: none"> Cuando se saca el tanque de agua limpia, algo de agua en la tubería puede quedar bajo el tanque o alrededor del sello. Esto es normal. Limpie con una toalla seca.

Para obtener servicios adicionales, por favor póngase en contacto con nosotros a través de support.na@dreame.tech
Tel: +1 (866) 977-5177

Especificaciones

Robot

Modelo	RPL51FE0
Tiempo de carga	Aprox. 3,5 horas
Voltaje máximo	14,4 V ---
Potencia nominal	75 W
Frecuencia de operación	2400-2483,5 MHz
Potencia de salida máxima	< 20 dBm

En condiciones normales de uso, este equipo debe mantenerse a una distancia de separación de al menos 8" (20 cm) entre la antena y el cuerpo del usuario.

Estación de base

Modelo	RCLE0101C
Entrada nominal	120 V ~ 60 Hz 4,1 A (durante el vaciado de polvo)
Salida nominal	20 V DC, 2 A
Potencia nominal (durante la limpieza con agua caliente)	750 W

Nota: La potencia nominal (durante la limpieza con agua caliente) está determinada por el valor de potencia durante el período representativo (temperatura del agua 25 °C/77 °F).

EN Warranty

1. Dreame is liable to the consumer for any lack of conformity in material or workmanship not detectable at the time of the purchase.
2. Warranty period: please refer to the customer service office for more information. If the territory where the consumer is located has different regulations, local regulations prevail.
3. The warranty will not be applicable in the following cases:
 - a) Issues due to carelessness, use, or installation that does not comply with the instructions provided by Dreame.
 - b) Tampering and/or modifications of the product by entities or individuals not expressly authorized by Dreame.
 - c) Damage due to accidental causes and/or negligence on the part of the consumer, with particular reference to external parts.
 - d) Parts subject to wear that do not have manufacturing defects.
 - e) No valid purchasing document (receipt, invoice, or other) is provided to certify the date the product was purchased.
 - f) The model and/or numbers of the product on the purchase certificate is not consistent with the model and/or numbers shown on the product.
4. Please scan the QR code to get after-sales contact information.
5. The after-sales service (including quality warranty) in diverse regions is solely applicable to the local version of Dreame products. Please contact the after-sales service in the region where your product version originates for support.

FR Garantie

1. Dreame est responsable envers le consommateur de tout défaut de conformité dans les matériaux ou la fabrication non détectable au moment de l'achat.
2. Période de garantie : veuillez contacter le bureau de service après-vente pour obtenir plus d'informations. Si le territoire où se situe le client dispose de réglementations différentes, les réglementations locales prévalent.
3. La garantie ne sera pas applicable dans les cas suivants :
 - a) Manque de soin, utilisation ou installation non conforme aux instructions fournies par Dreame ;
 - b) Altération et/ou modification du produit par des sujets non expressément autorisés par Dreame ;
 - c) Dommages dus à des causes accidentelles et/ou à la négligence du Consommateur, en particulier en ce qui concerne les parties externes ;
 - d) aux parties sujettes à l'usure qui ne présentent pas de défauts de fabrication ;
 - e) sans un document d'achat valide (reçu, facture, autre) certifiant la date d'achat du produit ;
 - f) si le modèle et/ou le numéro du produit figurant sur le certificat d'achat ne correspondent pas au modèle et/ou au numéro figurant sur le produit.
4. Scannez le code QR pour obtenir les coordonnées de contact du service après-vente.
5. Le service après-vente (y compris la garantie qualité) dans diverses régions ne s'applique que pour la version locale des produits Dreame. Veuillez prendre contact avec le service après-vente de la région d'origine de votre produit pour obtenir de l'aide.

ES Garantía

1. Dreame es responsable ante el consumidor por cualquier falta de conformidad en material o manufactura no detectable en el momento de la compra.
2. Periodo de garantía: para obtener más información contacte con la oficina de atención al cliente. Si el territorio en el que se encuentra el cliente tiene reglamentos diferentes, prevalecen los reglamentos locales.
3. La Garantía no será aplicable en los siguientes casos:
 - a) Descuido, uso o instalación que no cumpla con las instrucciones proporcionadas por Dreame;
 - b) Manipulaciones y/o modificaciones del producto por parte de personas no autorizadas expresamente por Dreame;
 - c) Daños debidos a causas accidentales y/o negligencia del Consumidor, con referencia particular a piezas externas;
 - d) piezas sujetas a desgaste que no tengan defectos de fabricación;
 - e) sin un documento de compra válido (recibo, factura, otro) que certifique la fecha de compra del producto;
 - f) si el modelo y/o número del producto en el certificado de compra no son consistentes con el modelo y/o número mostrado en el producto.
4. Escanee el código QR para obtener la información de contacto de posventa.
5. El servicio posventa (incluido la garantía de calidad) en diferentes regiones se aplica únicamente a la versión local de los productos de Dreame. Contacte con el servicio posventa de la región de dónde proviene la versión de su producto para obtener soporte.

Contact us



Website:

<https://www.dreametech.com/>

The word "dreame" is the abbreviation of Dreame Technology Co., Ltd. and its subsidiaries in China. It is the transliteration of the company's Chinese name "追觅", which means striving for excellence in every endeavor and reflects the company's vision of continuous pursuit, exploration and search in technology.



For more support, contact us via support.na@dreame.tech

Website: <https://www.dreametech.com/>

Tel: +1 (866) 977-5177

Manufactured by: Dreame Trading (Tianjin) Co., Ltd.

Address: Room 2112-1-1, South District, Finance and Trade Center, No.6975 Yazhou Road,
Dongjiang Bonded Port Area, Tianjin Pilot Free Trade Zone, Tianjin, China

Made in China



US-A00