

DREAME



Customer Service

Manufacturer: Dreame Trading (Tianjin) Co.,Ltd.
Address: Room 2112-1-1, South District, Finance and Trade Center, No.6975 Yazhou Road,
Dongjiang Bonded Port Area, Tianjin Pilot Free Trade Zone, Tianjin, China
E-mail: support-LOCK-US@dreame.tech
website: <https://global.dreame.tech>



1607-0000000-210



Dreame Safio Lock Turbo Lite User Manual

Model: B312US

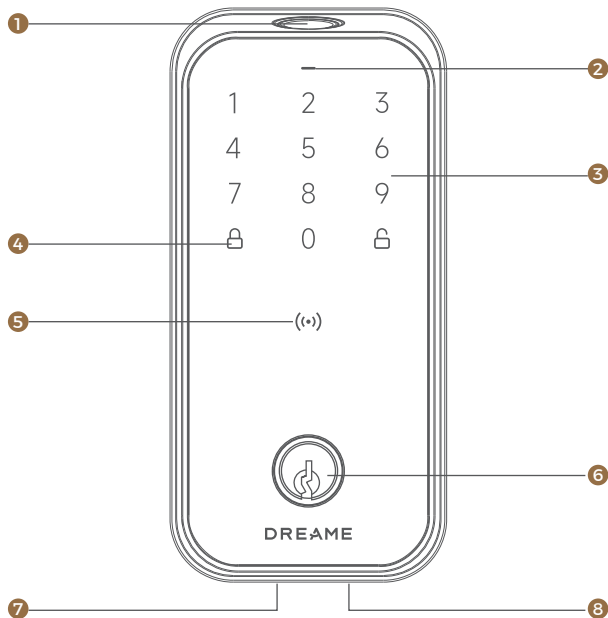
Use of the Works with Apple badge means that an accessory has been designed to work specifically with the technology identified in the badge and has been certified by the developer to meet Apple performance standards. Apple is not responsible for the operation of this device or its compliance with safety and regulatory standards.

Contents

1. Hardware Introduction	01
2. Prepare the Door And Check Dimensions	03
3. Parts List	04
4. Installation Overview	05
5. APP Operation Guide	17
6. Basic Parameters	20

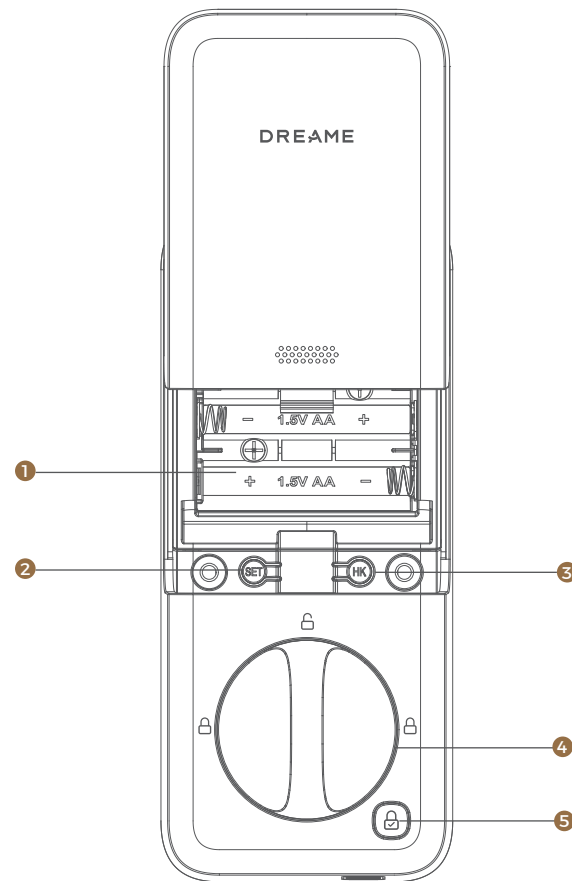
1 / Hardware Introduction

Overview



- 1 Fingerprint Scanner
- 2 Status LED
Green: Unlock Succeeded
Red: Lock / Abnormal status detected
- 3 Touch Keypad
- 4 Lock Button (Press this button to lock the door)
- 5 iPhone / Apple Watch / Fob Scan Area
- 6 Keyhole
- 7 Speaker
- 8 Emergency Power Supply Port:
For emergency use only.

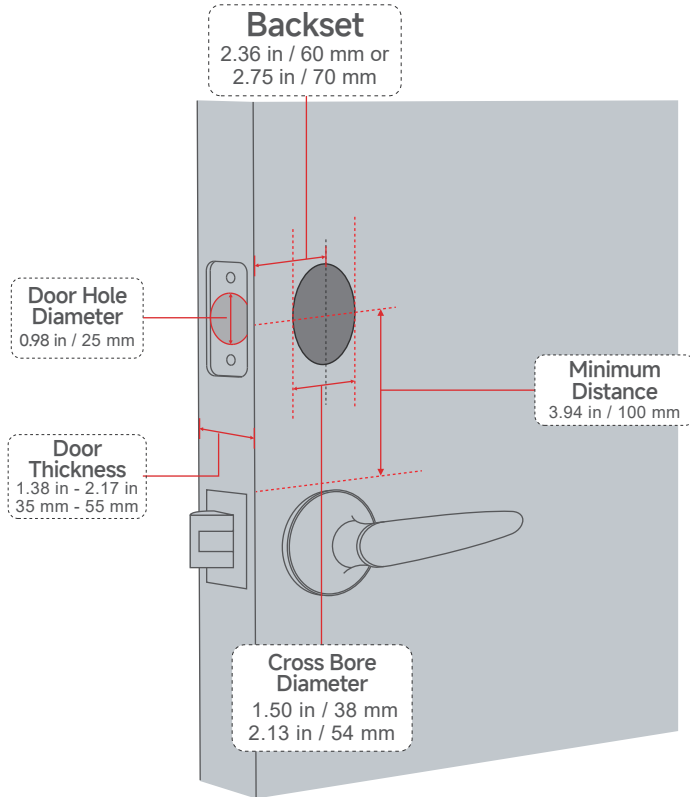
Note: The "Emergency Power Supply Port" is not for battery charging purpose and can only be used for emergency power supply to the lock.



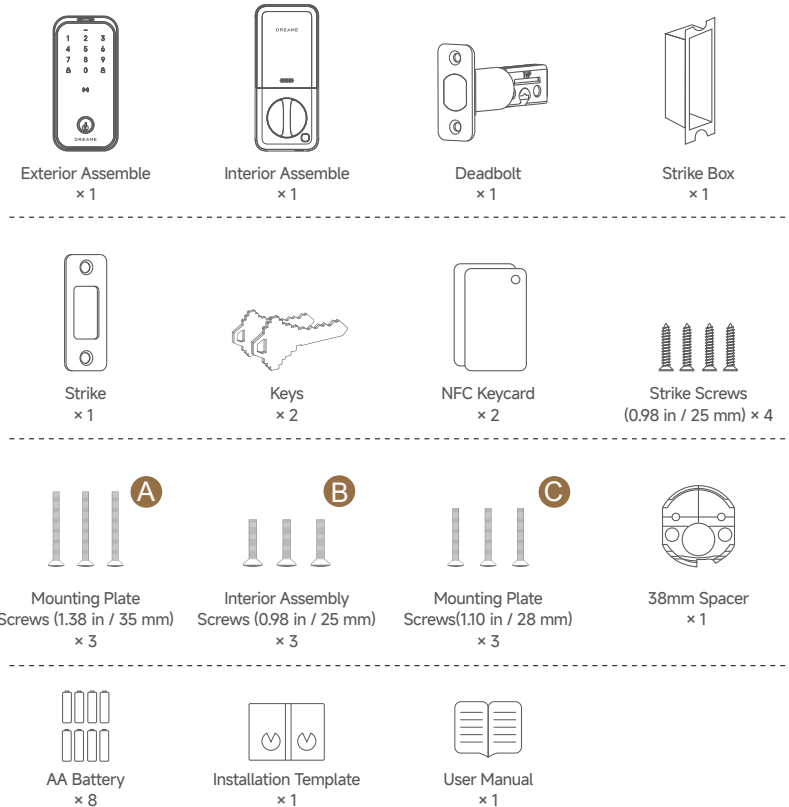
- 1 Battery Compartment
- 2 Set Button
- 3 HomeKit Button
- 4 Manual Lock/Unlock Knob
- 5 One Touch Lock / Unlock

2 / Prepare the door and check dimensions

Compatible Doors



3 / Parts List



TOOL REQUIRED

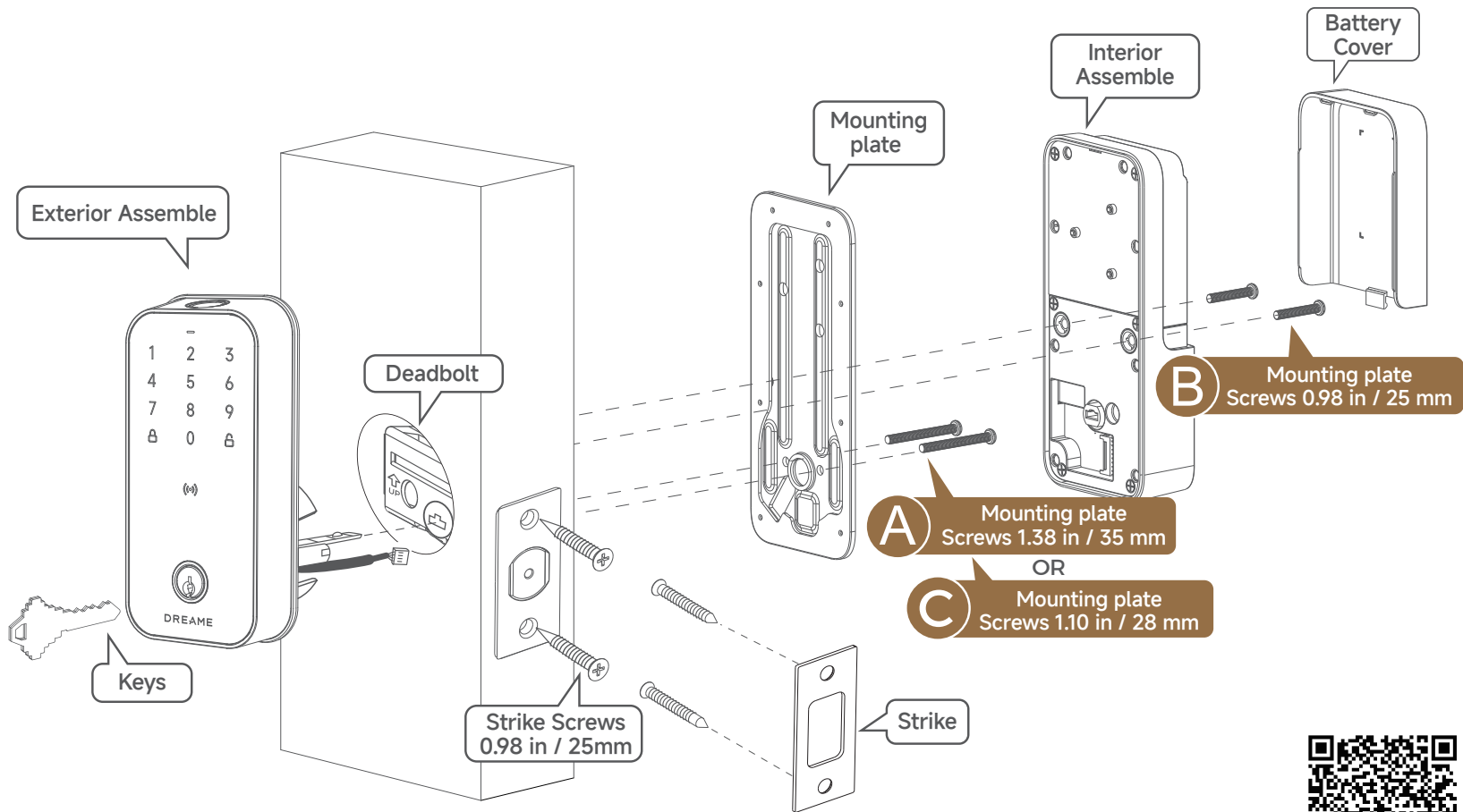
All you need is a manual screwdriver or an electronic screwdriver.



IMPORTANT

Do not load batteries until lock is completely installed.

4 / Installation Overview



*45-55 mm door thickness use **A**

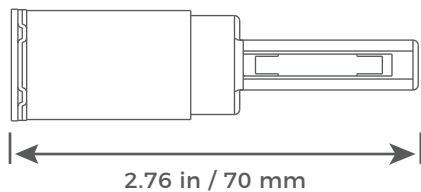
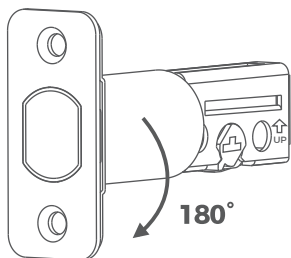
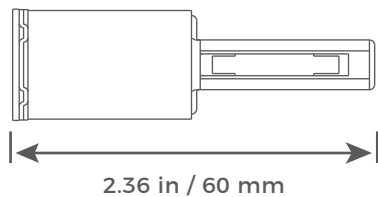
*35-45 mm door thickness use **C**



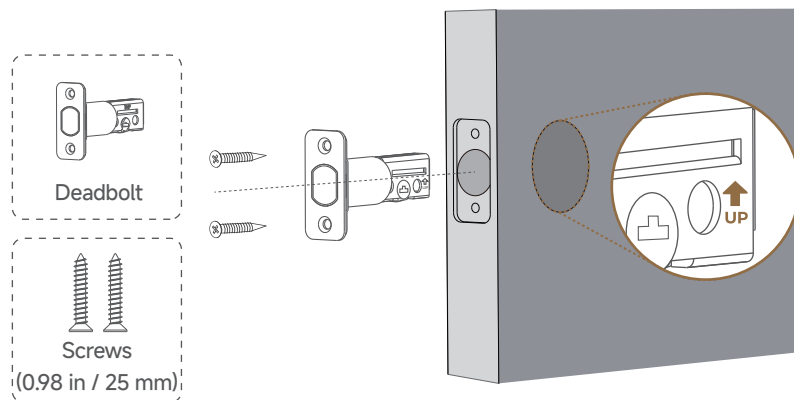
Scan the QR code to watch the video of installation guide

Step 1. Install Deadbolt

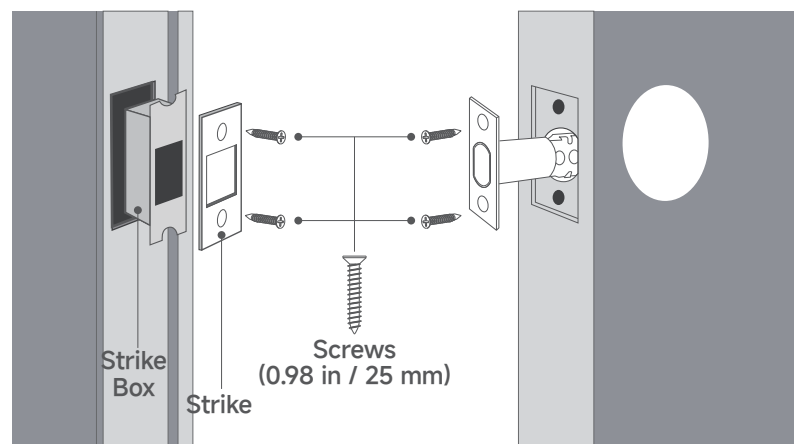
1. Check your door to see if the deadbolt requires adjustment.
If the backset is 70mm, turn the faceplate 180° to extend the length.



2. Insert and screw the deadbolt into the doorframe.
Make sure the word "UP" on the deadbolt faces up.

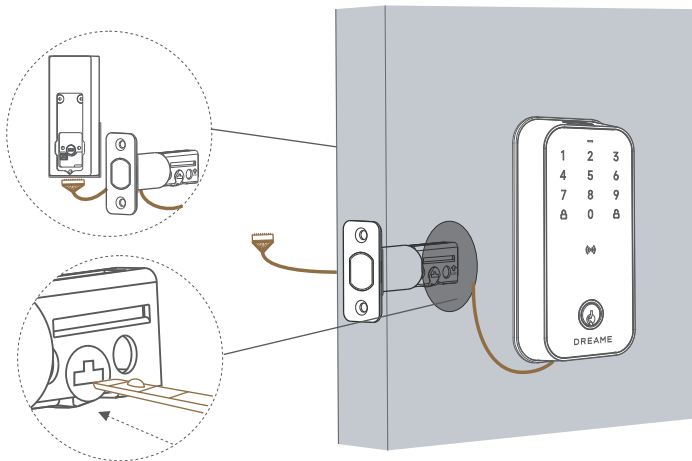
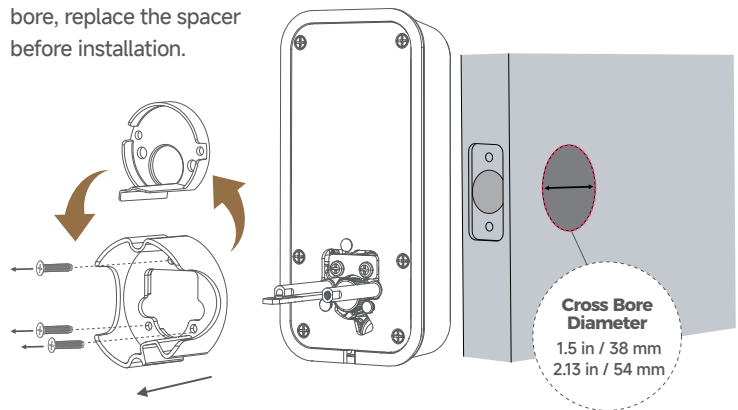


Step 2. Install Strike Plate



Step 3. Install Exterior Assembly

If you have a 38mm cross bore, replace the spacer before installation.

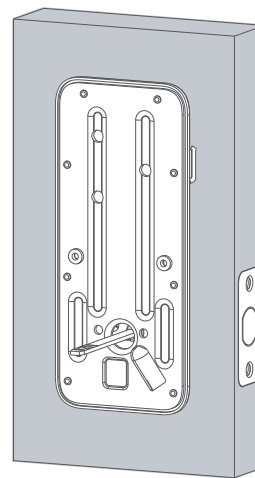
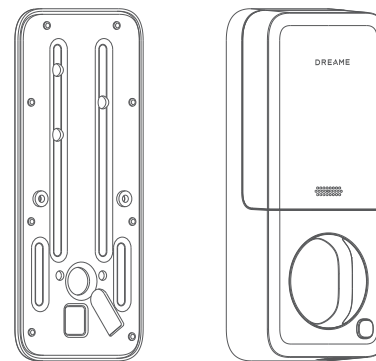


NOTE:

Please ensure that the latch bolt is in the retracted position before proceeding with the installation. Also, DO NOT leave the key inserted in the lock during installation.

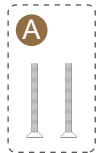
Step 4. Install Interior Assembly

1. Detach the back cover from the interior assembly.

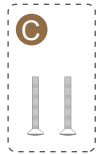


2. Run the wires through the back cover.

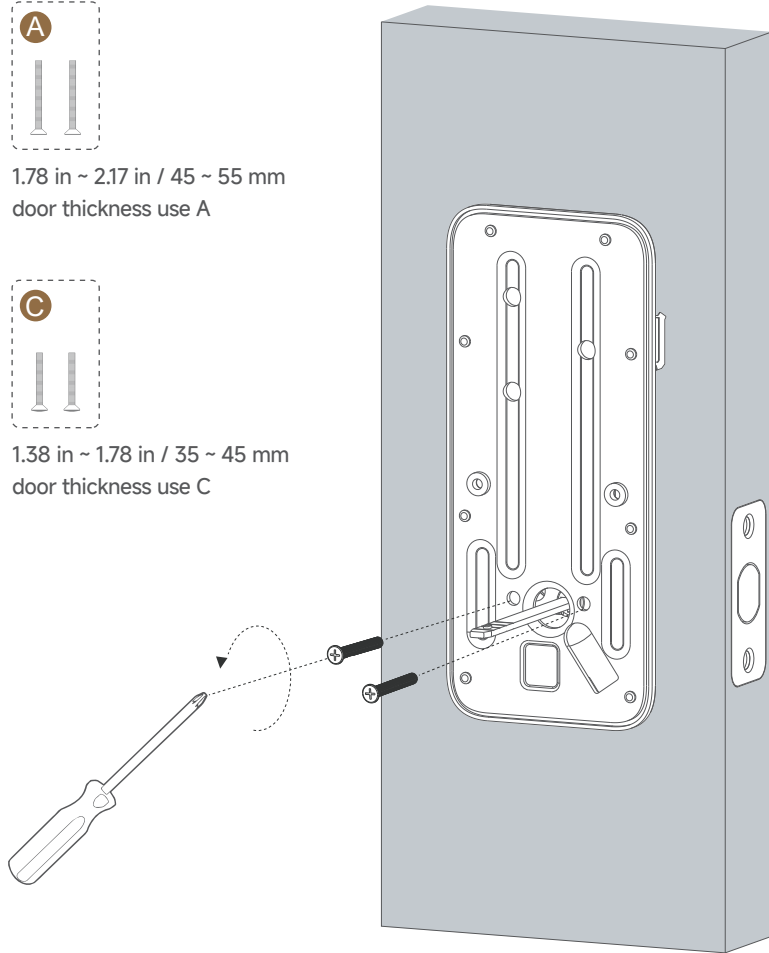
3. Secure the back cover with screws.



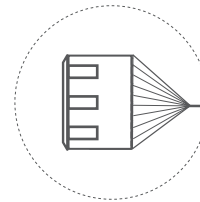
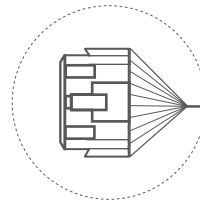
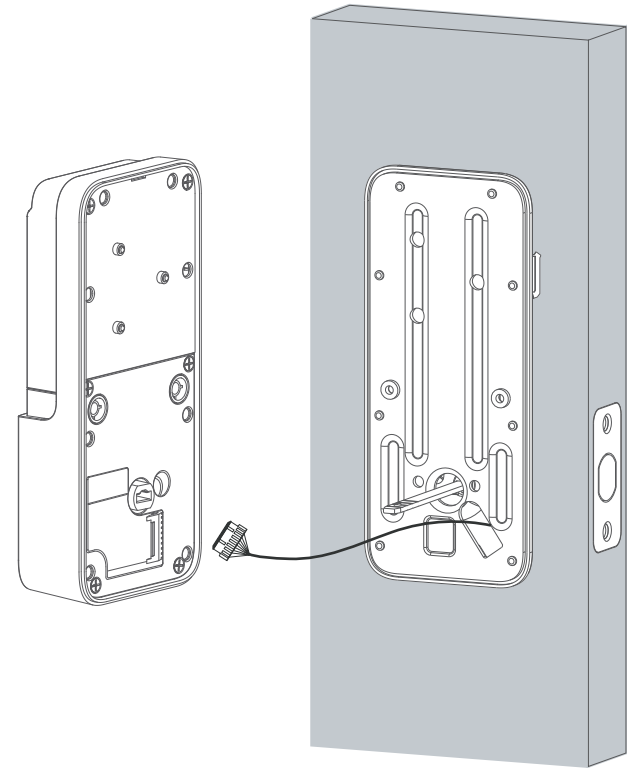
1.78 in ~ 2.17 in / 45 ~ 55 mm
door thickness use A



1.38 in ~ 1.78 in / 35 ~ 45 mm
door thickness use C

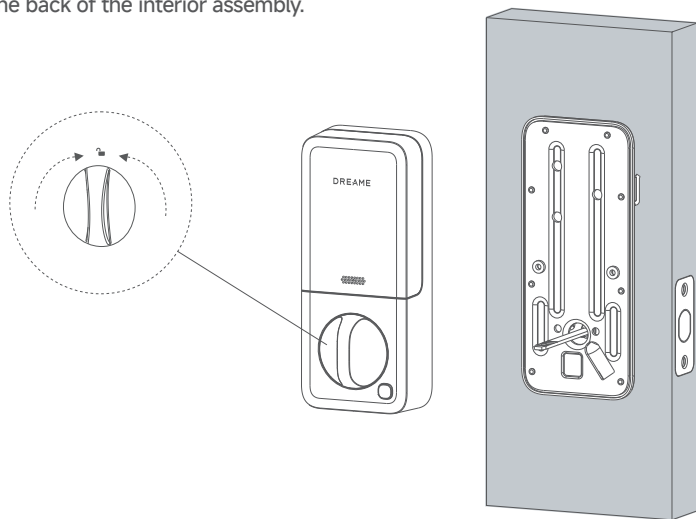


4. Wire to the interior assembly.

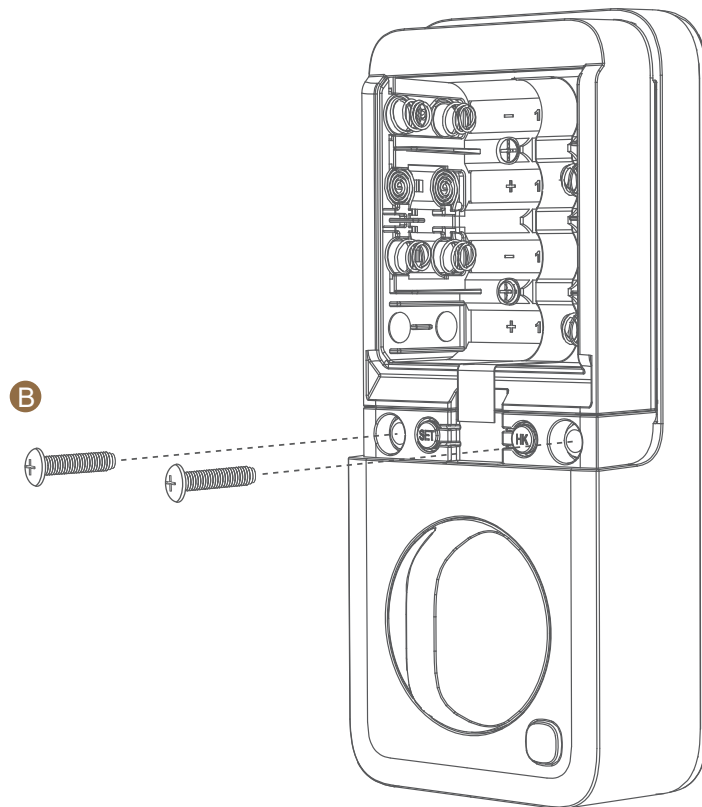
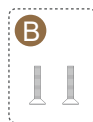
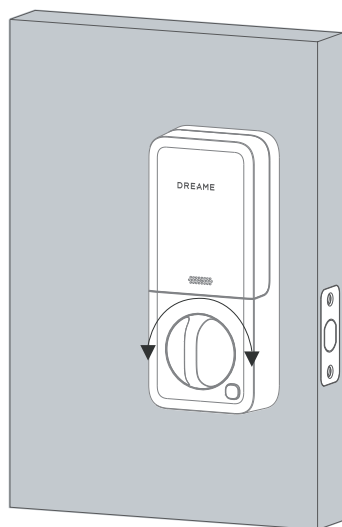


Upside Down

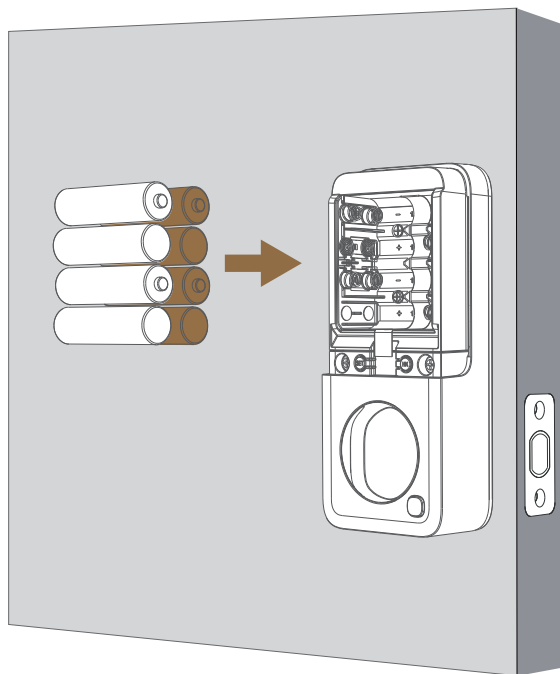
5. Mount the interior assembly. Make sure both wires are tucked into the cabin on the back of the interior assembly.



6. Check if the deadbolt retracts by turning the thumbturn.



7. Insert 8 x AA batteries according to the illustrated positions. (Special note: Ensure all batteries are of the same age and condition. Using a mix of old and new batteries may significantly reduce battery life and could potentially damage the door lock.)

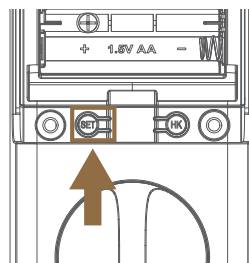


IMPORTANT
Please install 8 x AA batteries.

Setup a New Lock

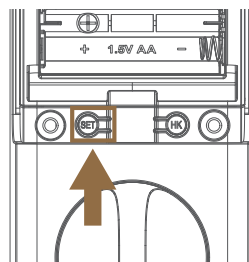
NOTE: You can also set up your lock directly in the DREAME NAVO App, The following steps are listed to help you complete the basic setup without a smart-phone.

1. Restore Factory Settings



Step1: Press and hold the “SET” button, you will hear a voice prompt “Hold the button to restore factory settings Mode”. Hold the button until you hear the voice prompt “Restored to factory settings”.

2. Enter Pairing Mode (For Add the Lock to DREAME NAVO App)



Step1: Press the “SET Button”. You will hear a voice prompt: “Ready to pair with app”. Then you can launch the DREAME NAVO app to add the lock.

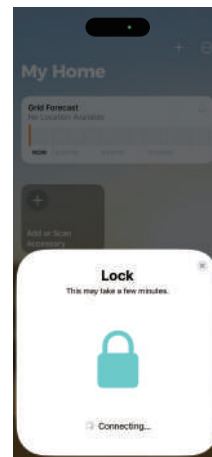


NOTE:
When the door lock indicates 'Low Battery', we recommend replacing all batteries with new ones immediately. The operation of the door lock may be affected when the battery power is insufficient.

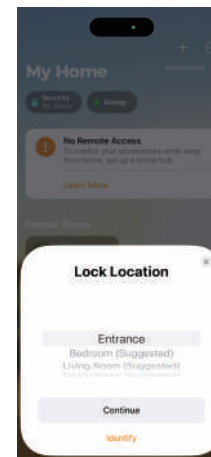
5 / APP Operation Guide

Apple Home app

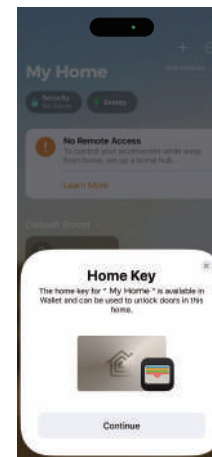
Download the "Home App" from App Store



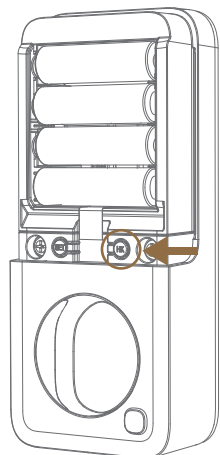
4 Click "Add to Home"



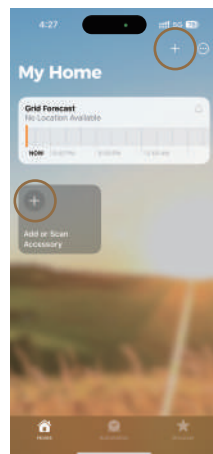
5 Select the location of the lock



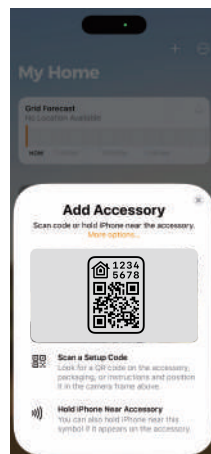
6 Enable the Home Key



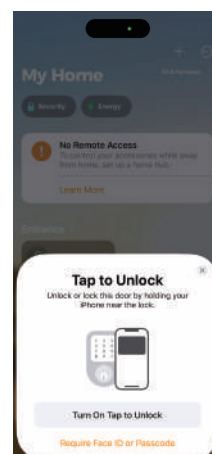
1 Click the "HomeKit Button" on interior assemble



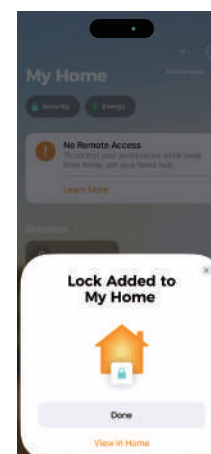
2 Click + icon to add an accessory



3 Scan the Setup Code



7 Choice a mode to use



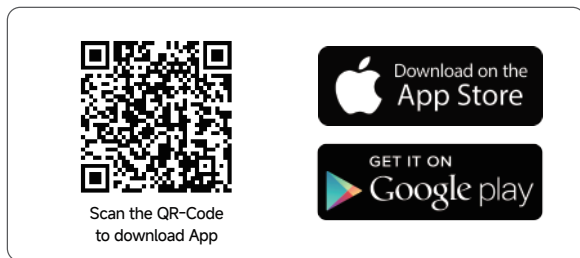
8 Congratulations! Add Finish.



9 Tap the lock to unlock.

Download DREAME NAVO App

NOTE: To access all smart lock function settings, please download the DREAME NAVO App



Download the app to discover all functions

If any questions, please email to support-LOCK-US@dreame.tech or Feedback in the DREAME NAVO App



Pairing setup video guide



Installation Guide



operation Guide

6/ Basic Parameters

Name: Dreame Safio Lock Turbo Lite
Model: B312US
FCC ID: 2AXGD-B312US
IC: 26444-B312US
Battery Type: AA battery
USB-C Emergency Port: (5V)

Operating Environment: -10°C ~ 55°C (14°F ~ 131°F)
Operating Humidity: 0% ~ 93% RH, no condensation
Door Thickness: 1.38 in (35 mm) ~ 2.17 in (55 mm)
Door Backset: 2.36 in (60 mm) or 2.75 in (70 mm)
Cross Bore Diameter: 1.50 in (38 mm) ~ 2.13 in (54 mm)

Warning:

- replacement of a battery with an incorrect type that can defeat a safeguard;
- disposal of a battery into fire or a hot oven, or mechanically crushing or cutting of a battery, that can result in an explosion;
- leaving a battery in an extremely high temperature surrounding environment that can result in an explosion or the leakage of flammable liquid or gas; and
- a battery subjected to extremely low air pressure that may result in an explosion or the leakage of flammable liquid or gas.

Attention:

- remplacement d'une batterie par un type incorrect pouvant supprimer une protection
- mise au rebut d'une batterie dans un feu ou dans un four chaud, ou écrasement mécanique ou coupure d'une batterie, susceptible de provoquer une explosion;
- maintien d'une batterie dans un environnement à très haute température pouvant provoquer une explosion ou la fuite de liquide ou de gaz inflammables; et
- batterie soumise à une pression de l'air extrêmement faible pouvant provoquer une explosion ou la fuite de liquide ou de gaz inflammables.



CAUTION RISK OF EXPLOSION IF BATTERY IS REPLACED BY AN INCORRECT TYPE. DISPOSE OF USED BATTERIES ACCORDING TO THE INSTRUCTIONS



ATTENTION RISQUE D'EXPLOSION SI LA BATTERIE EST REMPLACÉE PAR UN TYPE INCORRECT. ÉLIMINER LES BATTERIES USÉES SELON LES INSTRUCTIONS

Notice (Canada)

This device complies with Industry Canada licence-exempt RSS standard(s). Operation is subject to the following two conditions:

- (1) this device may not cause interference, and
- (2) this device must accept any interference, including interference that may cause undesired operation of the device.

Le présent appareil est conforme aux CNR d'Industrie Canada applicables aux appareils radio exempts de licence. L'exploitation est autorisée aux deux conditions suivantes:

- (1) l'appareil ne doit pas produire de brouillage, et
- (2) l'utilisateur de l'appareil doit accepter tout brouillage radioélectrique subi, même si le brouillage est susceptible d'en compromettre le fonctionnement.

This Class B digital apparatus complies with Canadian ICES-003.
Cet appareil numérique de la classe B est conforme à la norme NMB-003 du Canada.

IC RF Statement:

When using the product, maintain a distance of 20cm from the body to ensure compliance with RF exposure requirements.

Lors de l'utilisation du produit, maintenez une distance de 20 cm du corps afin de vous conformer aux exigences en matière d'exposition RF.

NOTICE (Australia)

Do not use the Device in the environment at too high or too low temperature, never expose the Device under strong sunshine or too wet environment.

The suitable temperature for the device and accessories is -10°C to 55°C.

It is recommended to supply the device in an environment with a temperature that ranges from 5°C-25°C.

When supplying, please place the device in an environment that has a normal room temperature and good ventilation.

Our goods and services come with guarantees that cannot be excluded under the Australian Consumer Law. For major failures with the service, you are entitled:

to cancel your service contract with us; and
to a refund for the unused portion, or to compensation for its reduced value.
You are also entitled to choose a refund or replacement for major failures with goods.

If a failure with the goods or a service does not amount to a major failure, you are entitled to have the failure rectified in a reasonable time. If this is not done you are entitled to a refund for the goods and to cancel the contract for the service and obtain a refund of any unused portion.

You are also entitled to be compensated for any other reasonably foreseeable loss or damage from a failure in the goods or service.



Your product is designed and manufactured with high quality materials and components, which can be recycled and reused.



This symbol means the product must not be discarded as household waste, and should be delivered to an appropriate collection facility for recycling. Proper disposal and recycling helps protect natural resources, human health and the environment. For more information on disposal and recycling of this product, contact your local municipality, disposal service, or the shop where you bought this product.

FCC Statement

Notice (United States Of America)

FCC Statement

This device complies with Part 15 of the FCC Rules. Operation is subject to the following two conditions: (1) this device may not cause harmful interference, and (2) this device must accept any interference received, including interference that may cause undesired operation.

Warning: Changes or modifications not expressly approved by the party responsible for compliance could void the user's authority to operate the equipment.

Note: This equipment has been tested and found to comply with the limits for a Class B digital device, pursuant to Part 15 of the FCC Rules. These limits are designed to provide reasonable protection against harmful interference in a residential installation.

This equipment generates uses and can radiate radio frequency energy and, if not installed and used in accordance with the instructions, may cause harmful interference to radio communications. However, there is no guarantee that interference will not occur in a particular installation. If this equipment does cause harmful interference to radio or television reception, which can be determined by turning the equipment off and on, the user is encouraged to try to correct the interference by one or more of the following measures: (1) Reorient or relocate the receiving antenna. (2) Increase the separation between the equipment and receiver. (3) Connect the equipment into an outlet on a circuit different from that to which the receiver is connected. (4) Consult the dealer or an experienced radio/TV technician for help.

FCC Radio Frequency Exposure Statement

The device has been evaluated to meet general RF exposure requirements. The device can be used in fixed/mobile exposure condition. The min separation distance is 20cm.

Notice: Shielded cables

All connections to other computing devices must be made using shielded cables to maintain compliance with FCC regulations.

The following importer is the responsible party

Company Name: ANTEK SERVICE INC

Address: 901 N PENNSYLVANIA ST STE O DENVER, CO 80203 Unite States

Telephone: +01303-8006306

Additional Notice

Use of the Works with Apple badge means that an accessory has been designed to work specifically with the technology identified in the badge and has been certified by the developer to meet Apple performance standards.

Controlling this HomeKit-enabled accessory automatically and away from home requires a HomePod, HomePod mini, or Apple TV set up as a home hub. It is recommended that you update to the latest software and operating system.

To control this HomeKit-enabled accessory, the latest version of iOS or iPadOS is recommended. To use home keys, iPhone XS or later with iOS 15 or later and Apple Watch Series 4 or later with watchOS 8 or later are required.

Apple, Apple Home, Apple TV, Apple Watch, HomeKit, HomePod, HomePod mini, iPad, iPadOS, iPhone, and watchOS are trademarks of Apple Inc., registered in the U.S. and other countries and regions. App Store is a service mark of Apple Inc., registered in the U.S. and other countries and regions. IOS is a trademark or registered trademark of Cisco in the U.S. and other countries and is used under license. Other product and company names mentioned herein may be trademarks of their respective companies.